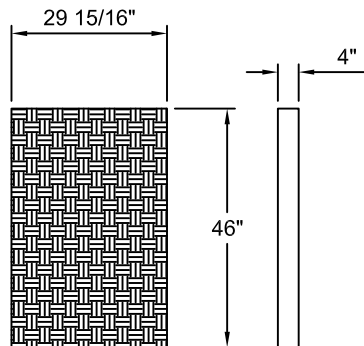
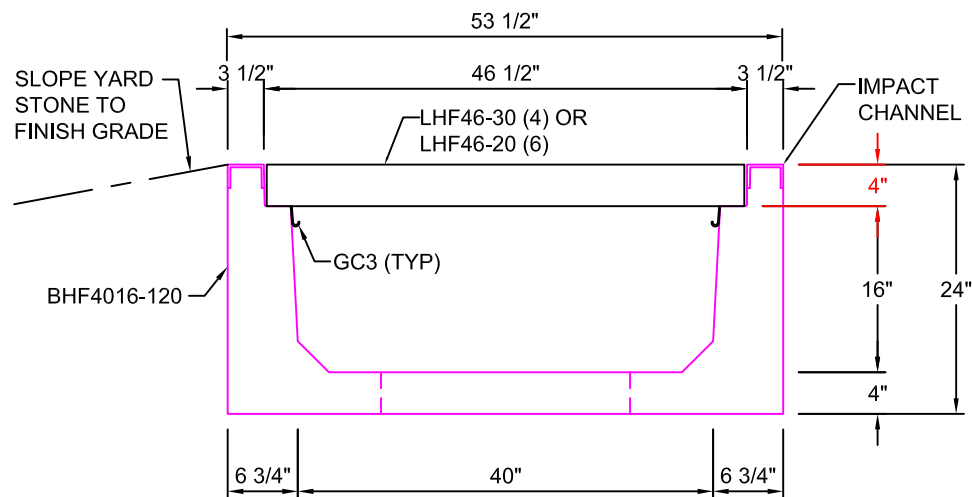


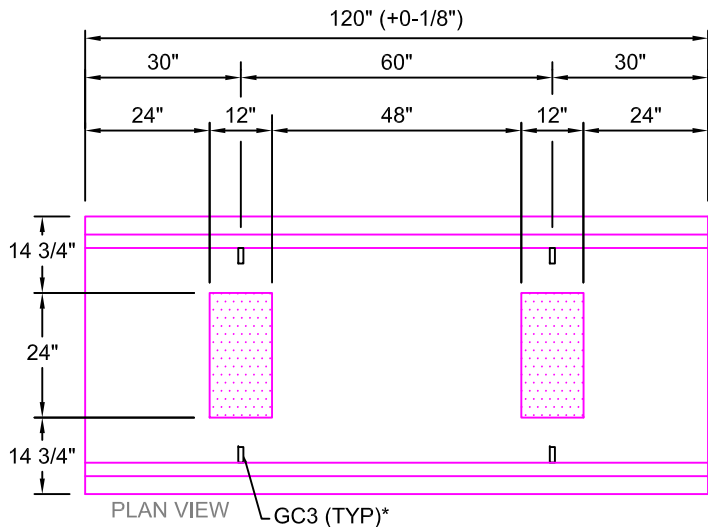
LHF46-20
SCALE: 1/2" = 1'-0"
WEIGHT: 68 #



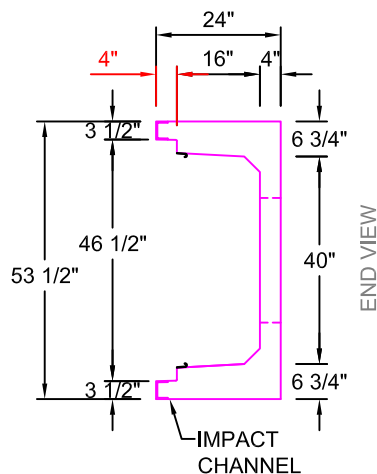
LHF46-30
SCALE: 1/2" = 1'-0"
WEIGHT: 84 #



TYPICAL ROAD CROSSING SECTION WITH FIBRELITE LID
40"W x 16"D
SCALE: 1"=1'-0"



BHF4016-120
SCALE: 1/2" = 1'-0"
WEIGHT: 4463 #



AASHTO HS20 DESIGN
(32,000 LBS / AXLE)

Trenwa Inc.

1419 ALEXANDRIA PIKE FORT THOMAS, KY 41075 859-781-0831

TYPICAL ROAD CROSSING BASE, FIBRELITE LID & SECTION FOR 40" WIDE x 16" DEEP TRENCH

Date:
1/30/17

Dwg. No.
BHF4016-120

*GC3 (GROUND CLIPS) OPTIONAL