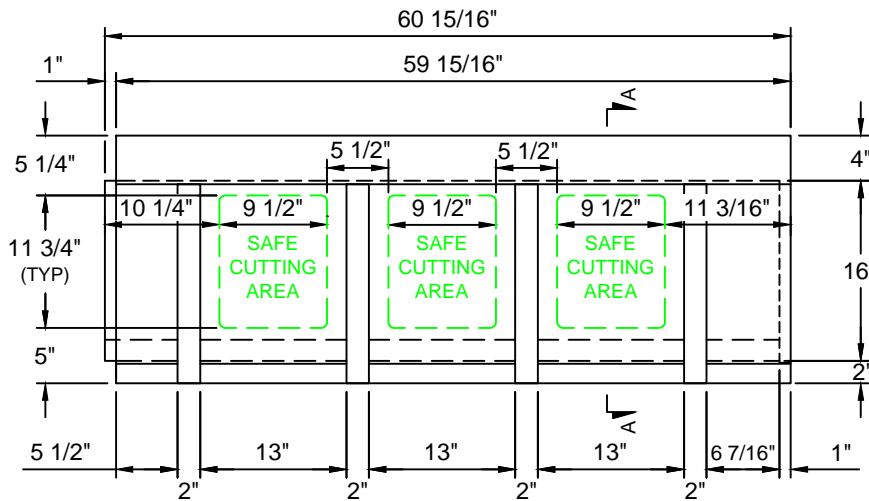


LHF26-60

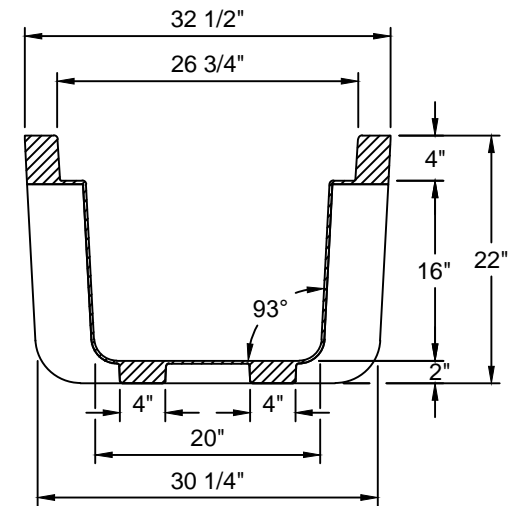
WEIGHT: 80 LBS

** THE TREAD ON FIBRELITE LIDS IS ~1/16" ABOVE THE 4" LID



BHG2016-60

WEIGHT: 111 LBS



SECTION A-A

DO NOT CUT INTO PEREPINDICULAR RIBS. ROUNDED OPENINGS MAY BE CUT INTO SAFE AREAS BETWEEN RIBS ONLY - NO SQUARED OPENINGS. SQUARED OPENINGS AND/OR CUTTING INTO RIBS WILL VOID WARRANTY.

Trenwa
PRECAST TRENCH SOLUTIONS

1419 ALEXANDRIA PIKE
FORT THOMAS, KY 41075
859-781-0831

FIBRELITE BASE - 60" STRAIGHT

DATE:
2/28/24

BHG2016-60

REV:
0