

SECTION A-A

**BHG2016M45**  
 WEIGHT: 142 LBS

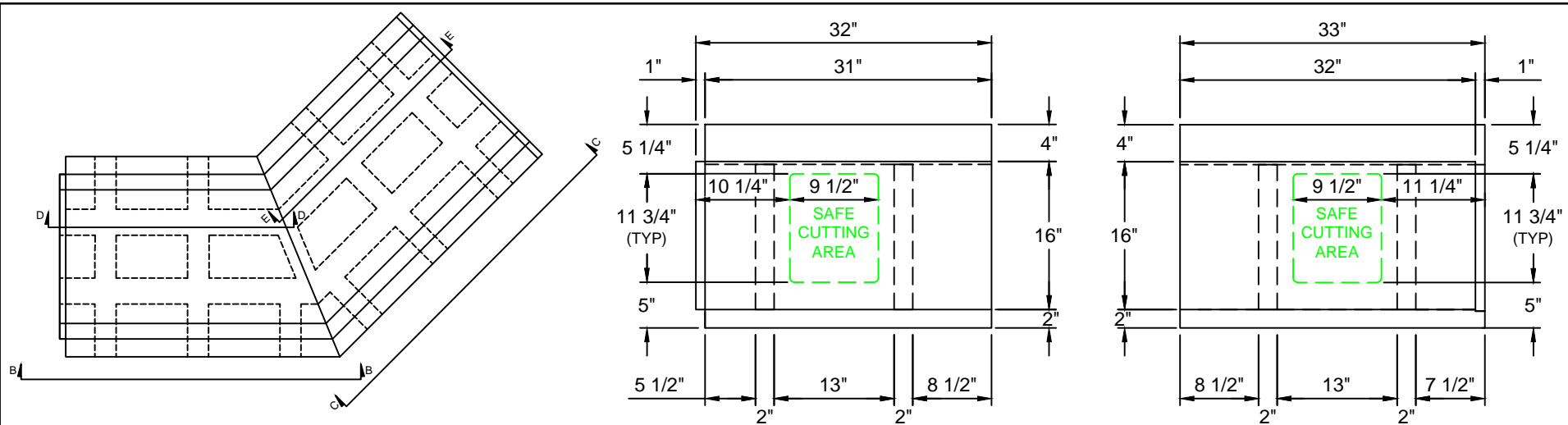
**\*THIS BASE MAY NOT BE SHORTENED ON EITHER SIDE.**

**DO NOT CUT INTO PEREPINDICULAR RIBS. ROUNDED OPENINGS MAY BE CUT INTO SAFE AREAS BETWEEN RIBS ONLY - NO SQUARED OPENINGS. SQUARED OPENINGS AND/OR CUTTING INTO RIBS WILL VOID WARRANTY.**

**Trenwa**  
 PRECAST TRENCH SOLUTIONS

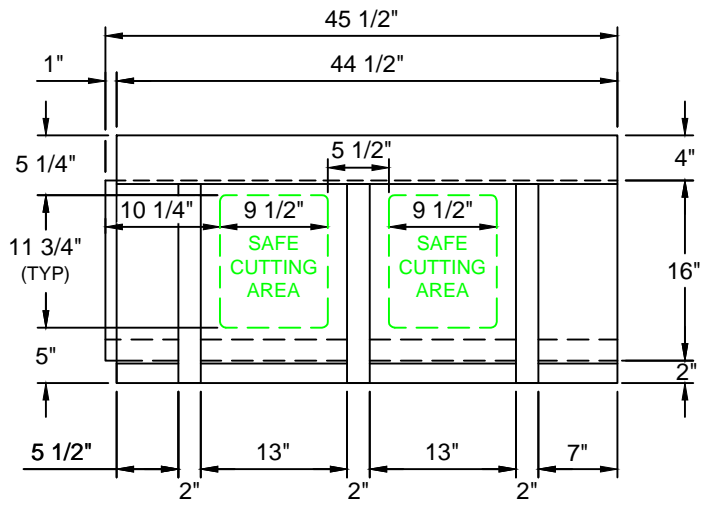
1419 ALEXANDRIA PIKE  
 FORT THOMAS, KY 41075  
 859-781-0831

FIBRELITE BASE - 45° SECTION		DATE: 03/01/24
BHG2016M45	PAGE 1 OF 3	REV: 0

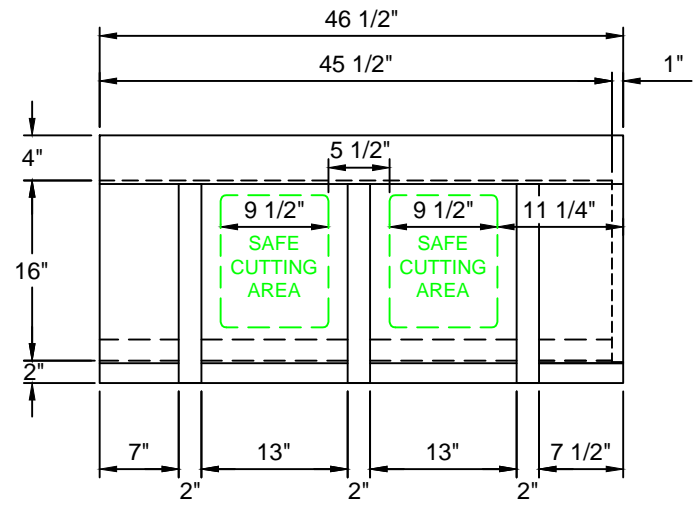


SECTION D-D

SECTION E-E




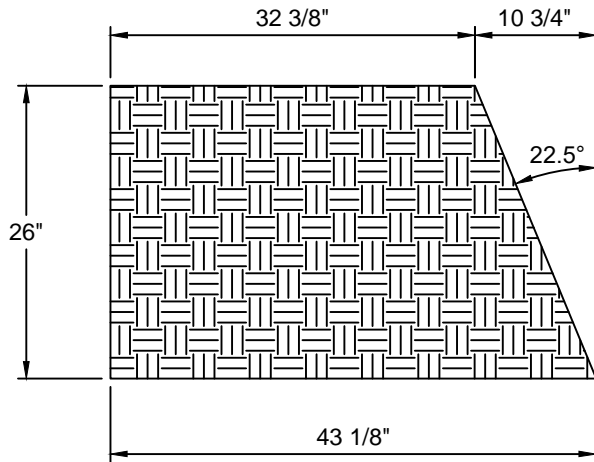
SECTION B-B



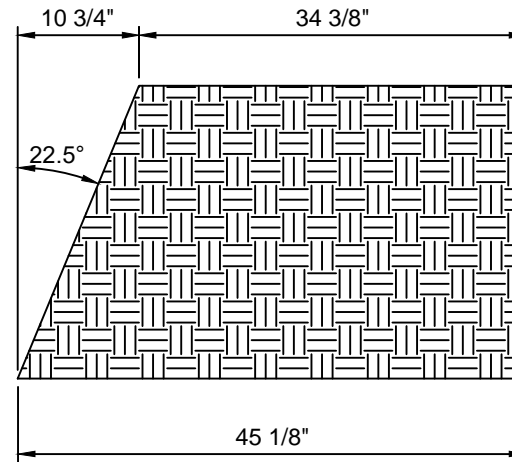
SECTION C-C

**DO NOT CUT INTO PEREPINDICULAR RIBS. ROUNDED OPENINGS MAY BE CUT INTO SAFE AREAS BETWEEN RIBS ONLY - NO SQUARED OPENINGS. SQUARED OPENINGS AND/OR CUTTING INTO RIBS WILL VOID WARRANTY.**

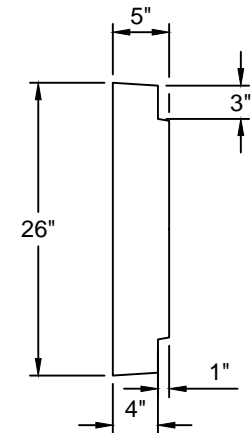
 <b>Trenwa</b> PRECAST TRENCH SOLUTIONS	1419 ALEXANDRIA PIKE FORT THOMAS, KY 41075 859-781-0831	
	FIBRELITE BASE - 45° SECTION	DATE: 03/01/24
BHG2016M45	PAGE 2 OF 3	REV: 0



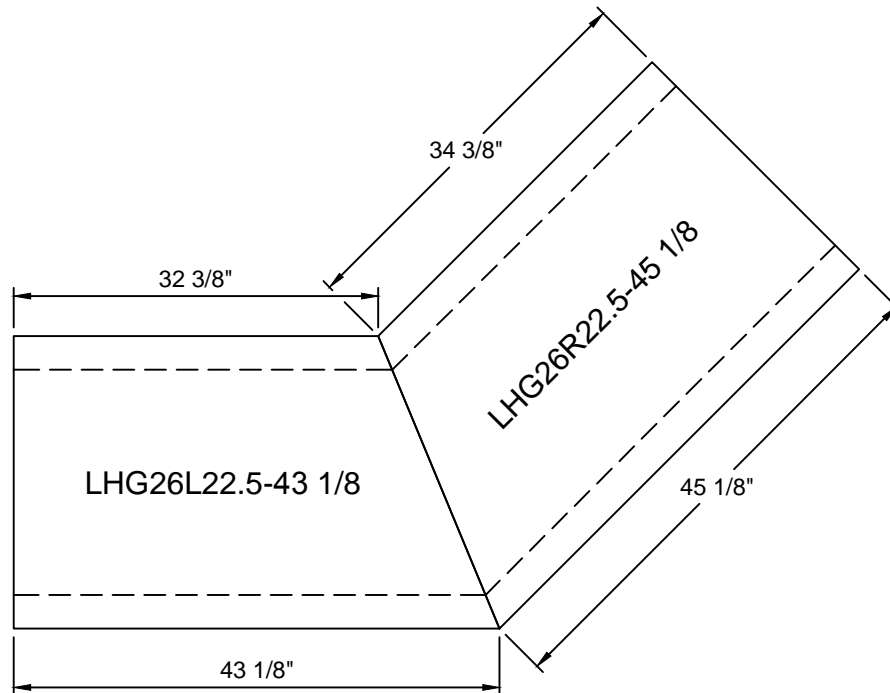
**LHG26L22.5-43 1/8**  
WEIGHT: 98 LBS



**LHG36R22.5-45 1/8**  
WEIGHT: 98 LBS



\*\* THE TREAD ON FIBRELITE LIDS IS ~1/16" ABOVE THE 5" LID



**\*THESE LIDS MAY NOT BE SHORTENED OR MODIFIED.**



1419 ALEXANDRIA PIKE  
FORT THOMAS, KY 41075  
859-781-0831

FIBRELITE LIDS - 45° SECTION

DATE: 03/01/24

LHG2016 MITERED LIDS

PAGE 3 OF 3

REV: 0