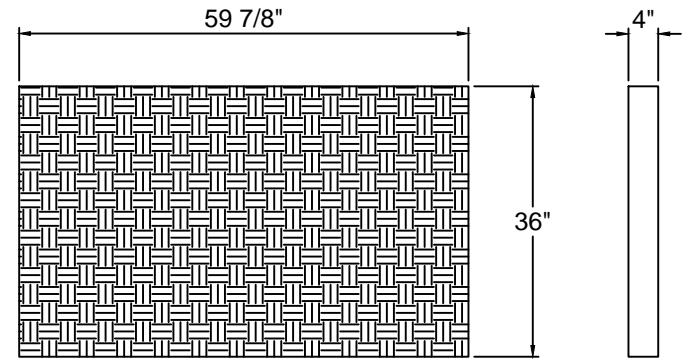


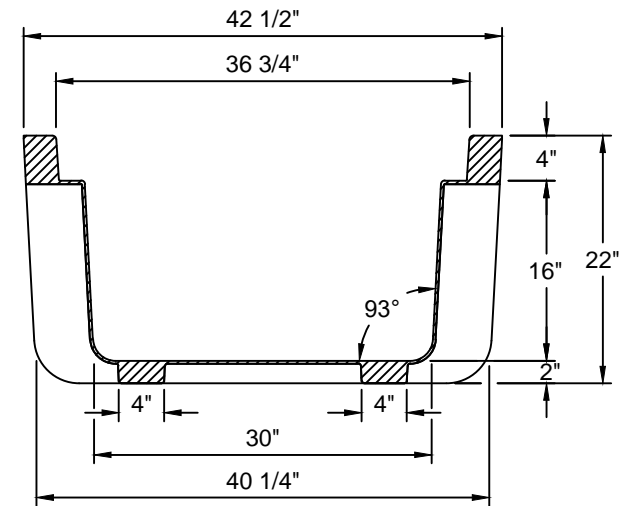
BHG3016-60
WEIGHT: 123 LBS

DO NOT CUT INTO PEREPINDICULAR RIBS. ROUNDED OPENINGS MAY BE CUT INTO SAFE AREAS BETWEEN RIBS ONLY - NO SQUARED OPENINGS. SQUARED OPENINGS AND/OR CUTTING INTO RIBS WILL VOID WARRANTY.



LHF36-60
WEIGHT: 118 LBS

** THE TREAD ON FIBRELITE LIDS IS ~1/16" ABOVE THE 4" LID



SECTION A-A



1419 ALEXANDRIA PIKE
FORT THOMAS, KY 41075
859-781-0831

FIBRELITE BASE - 60" STRAIGHT

DATE:
02/28/24

BHG3016-60

REV:
0