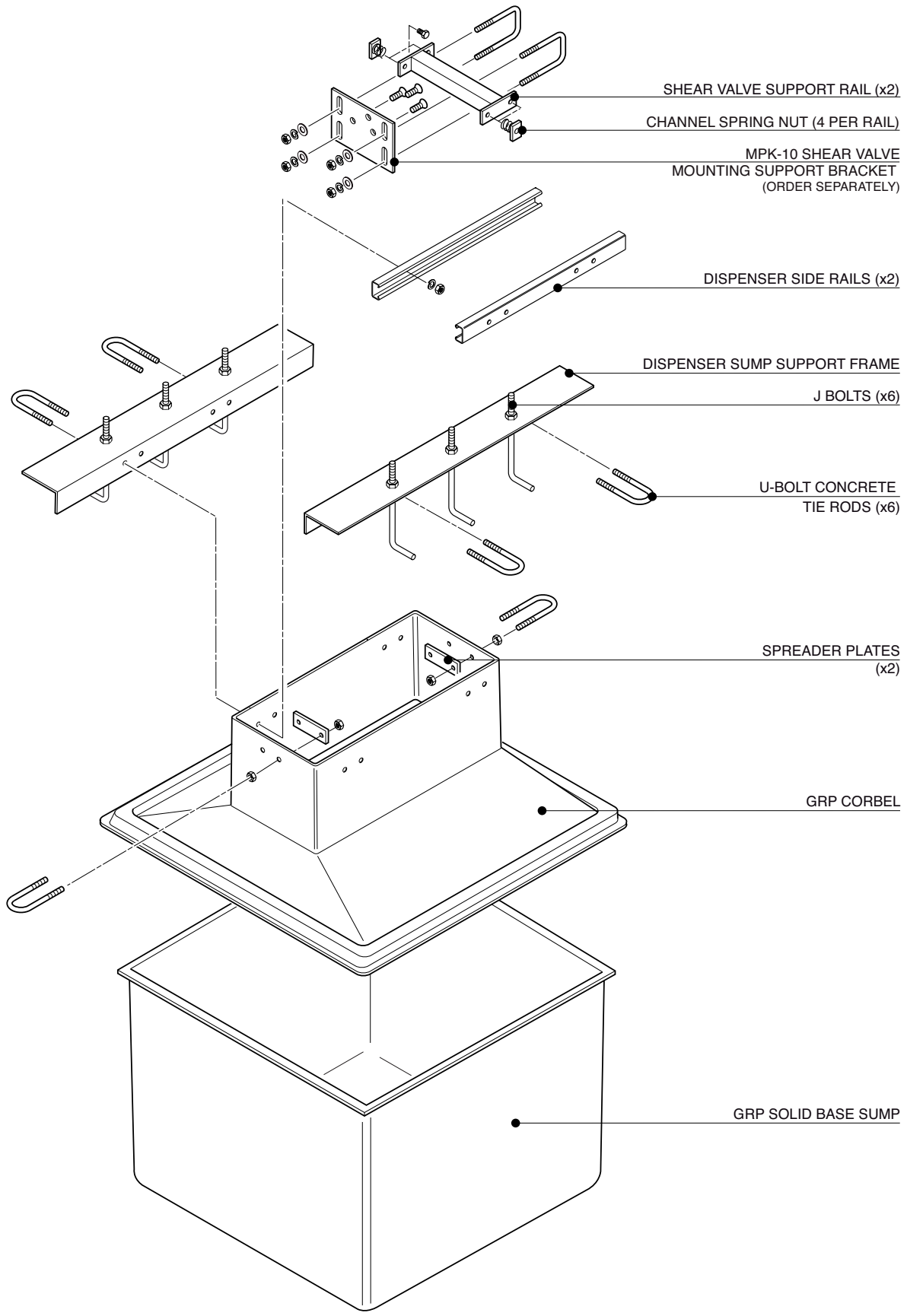


682mm x 682mm GRP solid base sump and corbel.

For reference purposes only. This drawing is not a specification. Order against product code only. To enable continuous improvement of our products, the designs and specifications are subject to change without notice.

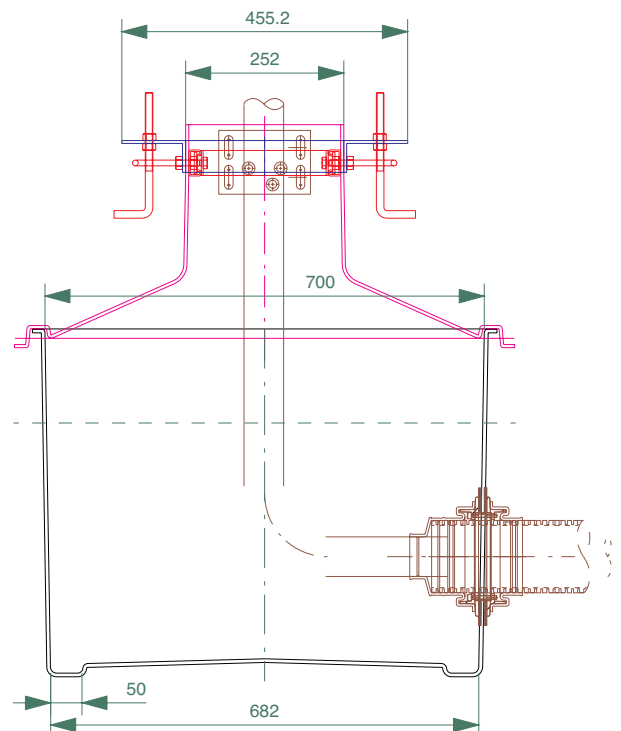
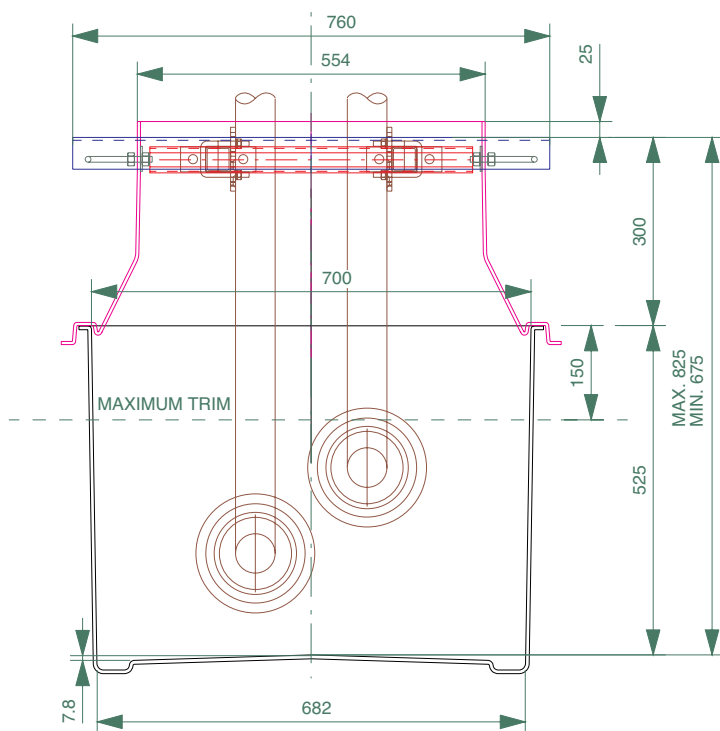
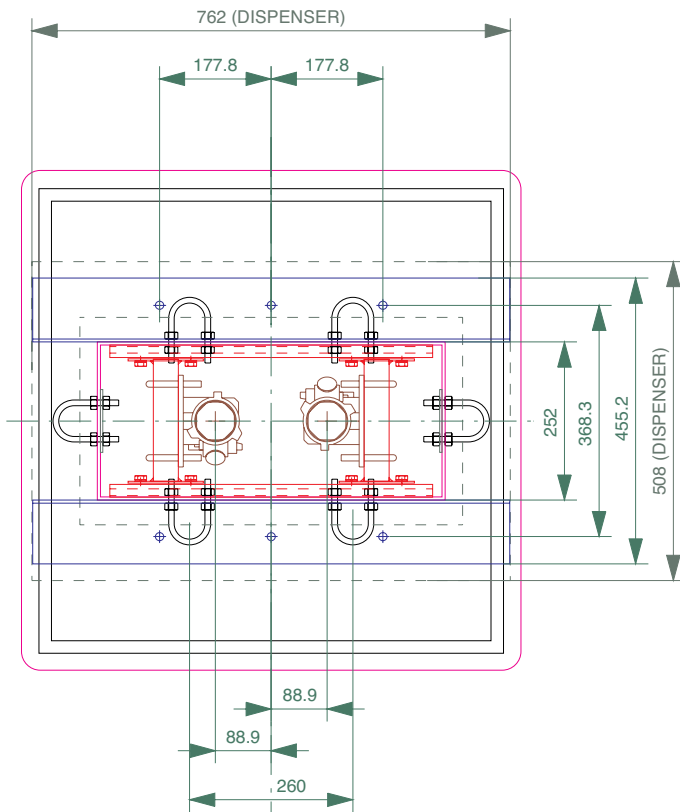
FIBRELITE 
PART OF OPW A  COMPANY



682mm x 682mm GRP solid base sump and corbel.

For reference purposes only. This drawing is not a specification. Order against product code only. To enable continuous improvement of our products, the designs and specifications are subject to change without notice.





682mm x 682mm GRP solid base sump and corbel.

For reference purposes only. This drawing is not a specification. Order against product code only. To enable continuous improvement of our products, the designs and specifications are subject to change without notice.

