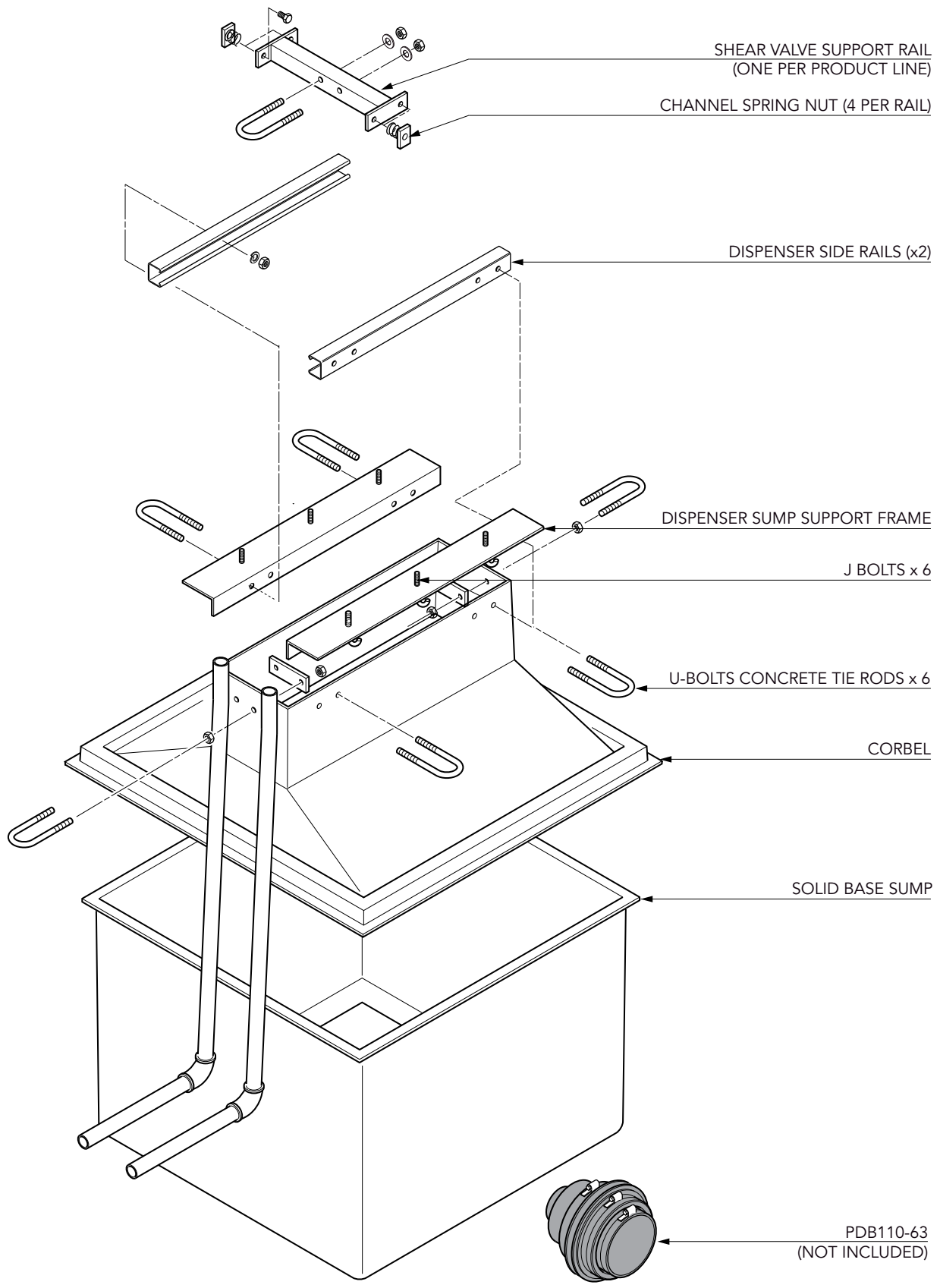


Dispenser sump to fit Gilbarco/China Model: JT1200GB (2- product, 2-hose, 4-display pump, suction, Endeavor

For reference purposes only. This drawing is not a specification. Order against product code only. To enable continuous improvement of our products, the designs and specifications are subject to change without notice.



SHEAR VALVE SUPPORT RAIL
(ONE PER PRODUCT LINE)

CHANNEL SPRING NUT (4 PER RAIL)

DISPENSER SIDE RAILS (x2)

DISPENSER SUMP SUPPORT FRAME

J BOLTS x 6

U-BOLTS CONCRETE TIE RODS x 6

CORBEL

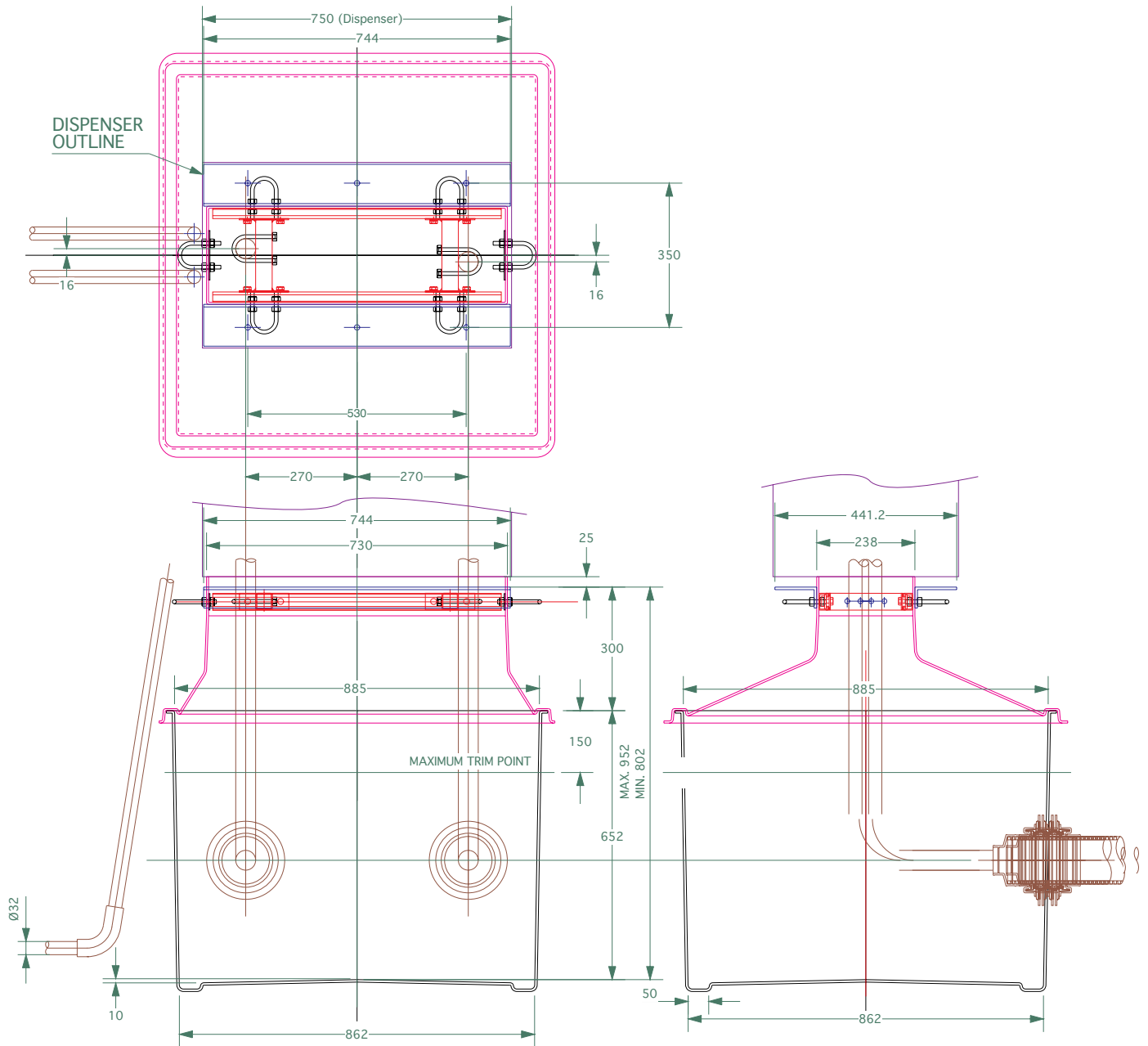
SOLID BASE SUMP

PDB110-63
(NOT INCLUDED)

Dispenser sump to fit Gilbarco/China Model: JT1200GB (2- product, 2-hose, 4-display pump, suction, Endeavor

For reference purposes only. This drawing is not a specification. Order against product code only. To enable continuous improvement of our products, the designs and specifications are subject to change without notice.

FIBRELITE 
PART OF OPW A  COMPANY



Dispenser sump to fit Gilbarco/China Model: JT1200GB (2- product, 2-hose, 4-display pump, suction, Endeavor

For reference purposes only. This drawing is not a specification. Order against product code only. To enable continuous improvement of our products, the designs and specifications are subject to change without notice.



PART OF OPW A DOWDER COMPANY