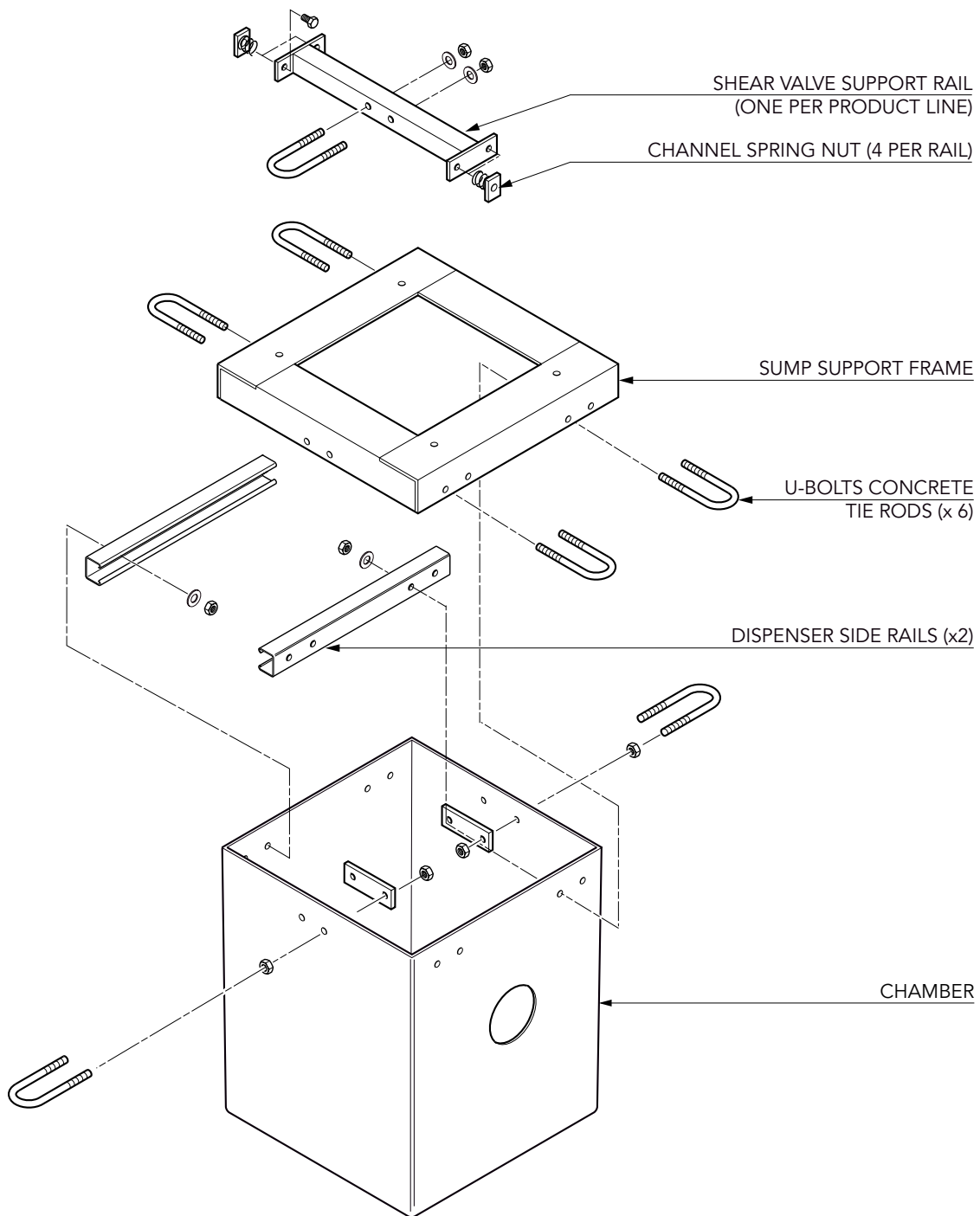


490mm square x 600mm deep GRP dispenser sump and corbel to fit Pumtronics Mono Suction model SC11LC. Single product.
Includes pump support frame, pipework support rail and all fixings.

For reference purposes only. This drawing is not a specification. Order against product code only. To enable continuous improvement of our products, the designs and specifications are subject to change without notice.

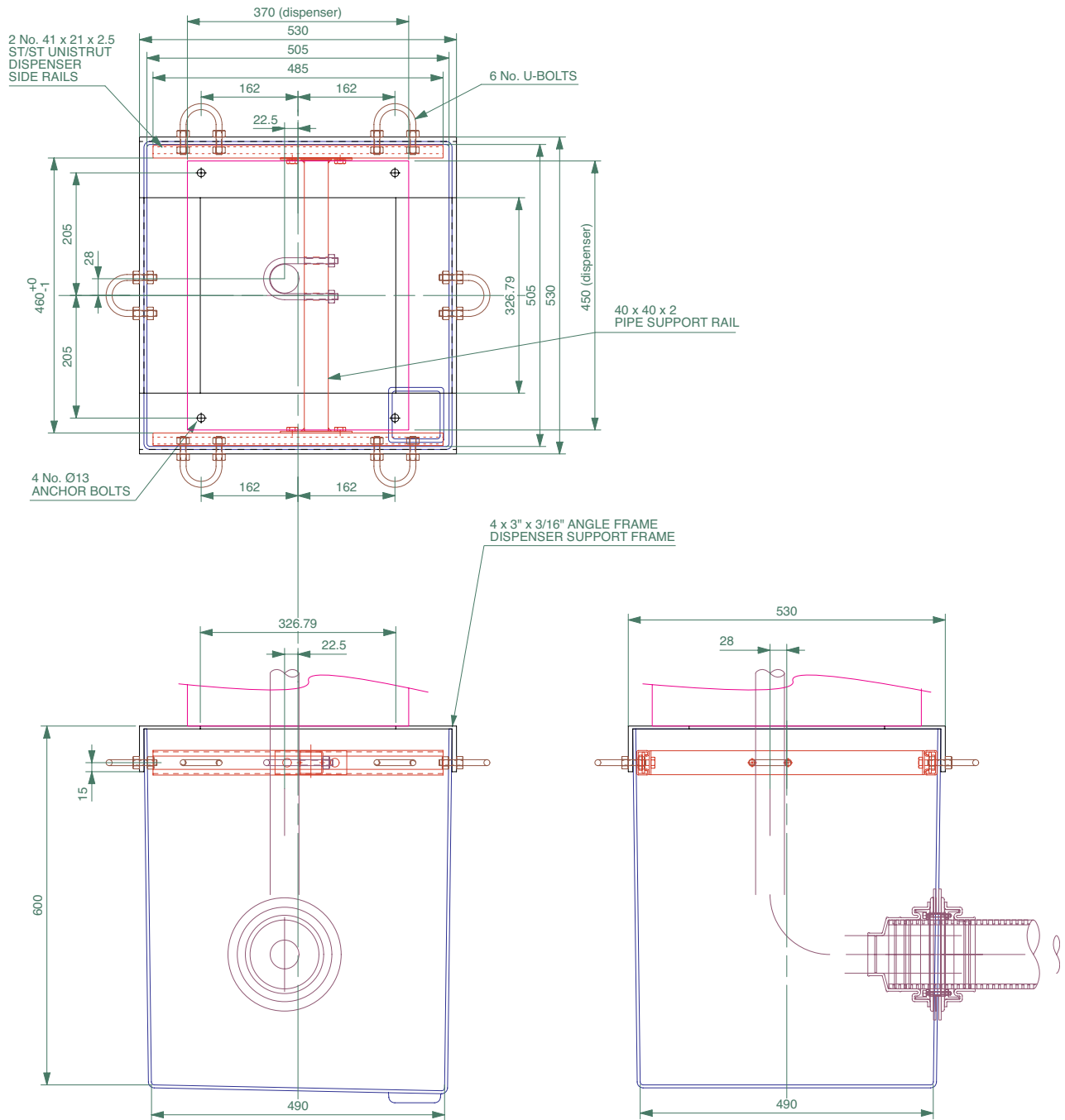
FIBRELITE 
PART OF OPW A DOVER COMPANY



490mm square x 600mm deep GRP dispenser sump and corbel to fit Pumtronics Mono Suction model SC11LC. Single product. Includes pump support frame, pipework support rail and all fixings.

For reference purposes only. This drawing is not a specification. Order against product code only. To enable continuous improvement of our products, the designs and specifications are subject to change without notice.

FIBRELITE 
PART OF OPW A DOVER COMPANY



490mm square x 600mm deep GRP dispenser sump and corbel to fit Pumtronics Mono Suction model SC11LC. Single product.
Includes pump support frame, pipework support rail and all fixings.

For reference purposes only. This drawing is not a specification. Order against product code only. To enable continuous improvement of our products, the designs and specifications are subject to change without notice.

FIBRELITE 
PART OF OPW A DOVER COMPANY