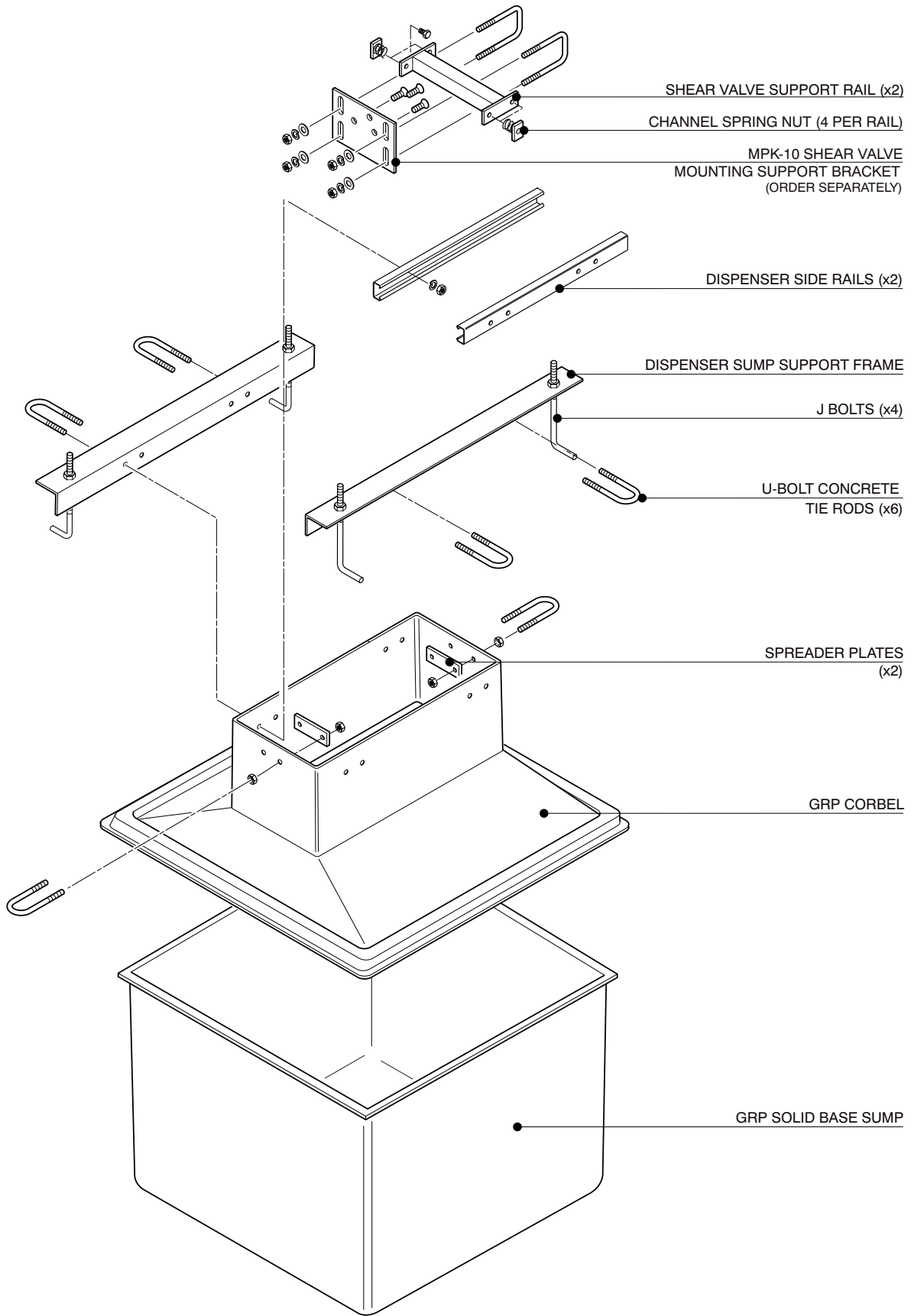


682mm x 682mm GRP solid base sump and corbel for the Q230T Tokheim dispenser.
Includes Includes dispenser support rails, shear valve rails and all fixings.

For reference purposes only. This drawing is not a specification. Order against product code only. To enable continuous improvement of our products, the designs and specifications are subject to change without notice.

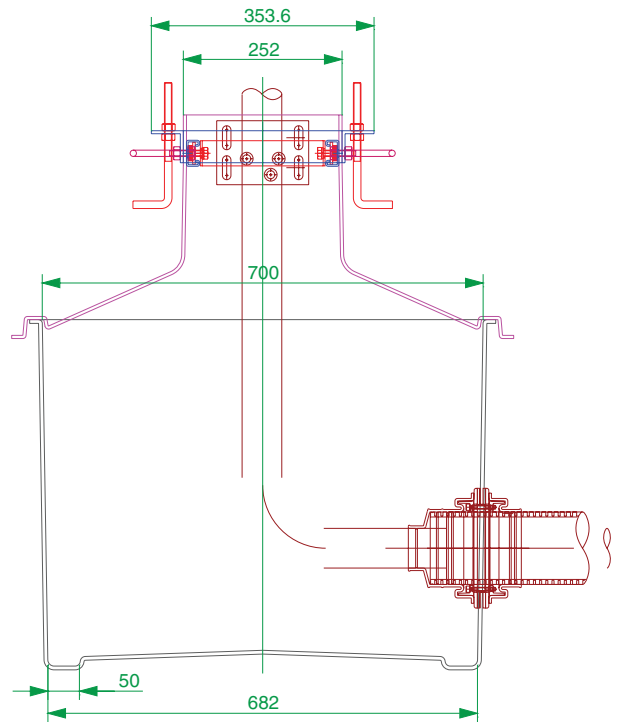
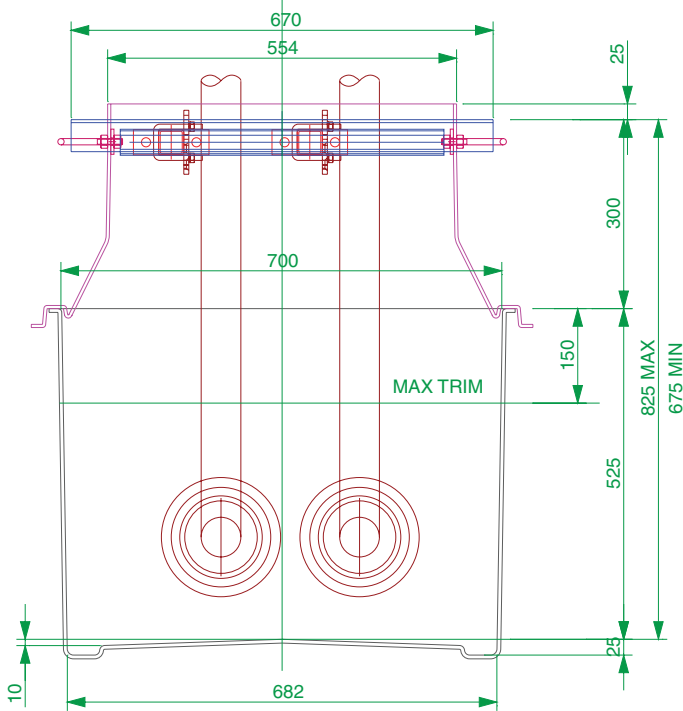
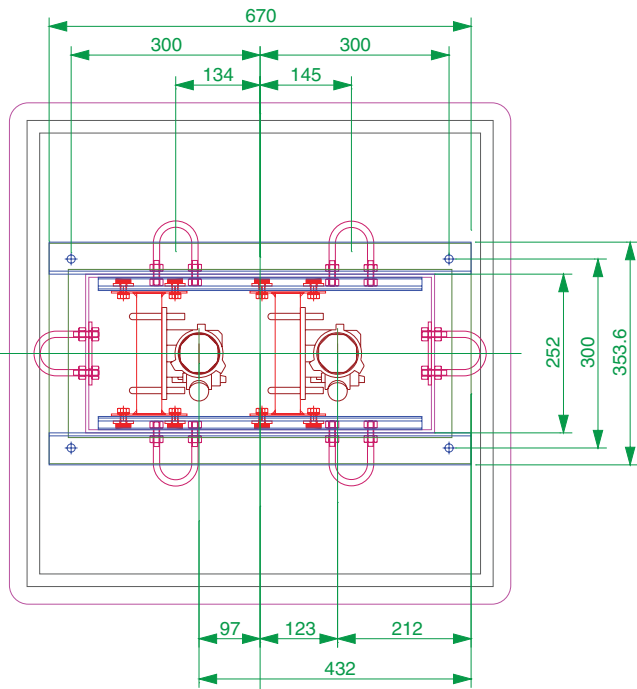
FIBRELITE 
PART OF OPW A DOVER COMPANY



682mm x 682mm GRP solid base sump and corbel for the Q230T Tokheim dispenser. Includes Includes dispenser support rails, shear valve rails and all fixings.

For reference purposes only. This drawing is not a specification. Order against product code only. To enable continuous improvement of our products, the designs and specifications are subject to change without notice.

FIBRELITE 
PART OF OPW A DOWER COMPANY



682mm x 682mm GRP solid base sump and corbel for the Q230T Tokheim dispenser. Includes dispenser support rails, shear valve rails and all fixings.

For reference purposes only. This drawing is not a specification. Order against product code only. To enable continuous improvement of our products, the designs and specifications are subject to change without notice.

FIBRELITE 
PART OF OPW A DOVER COMPANY