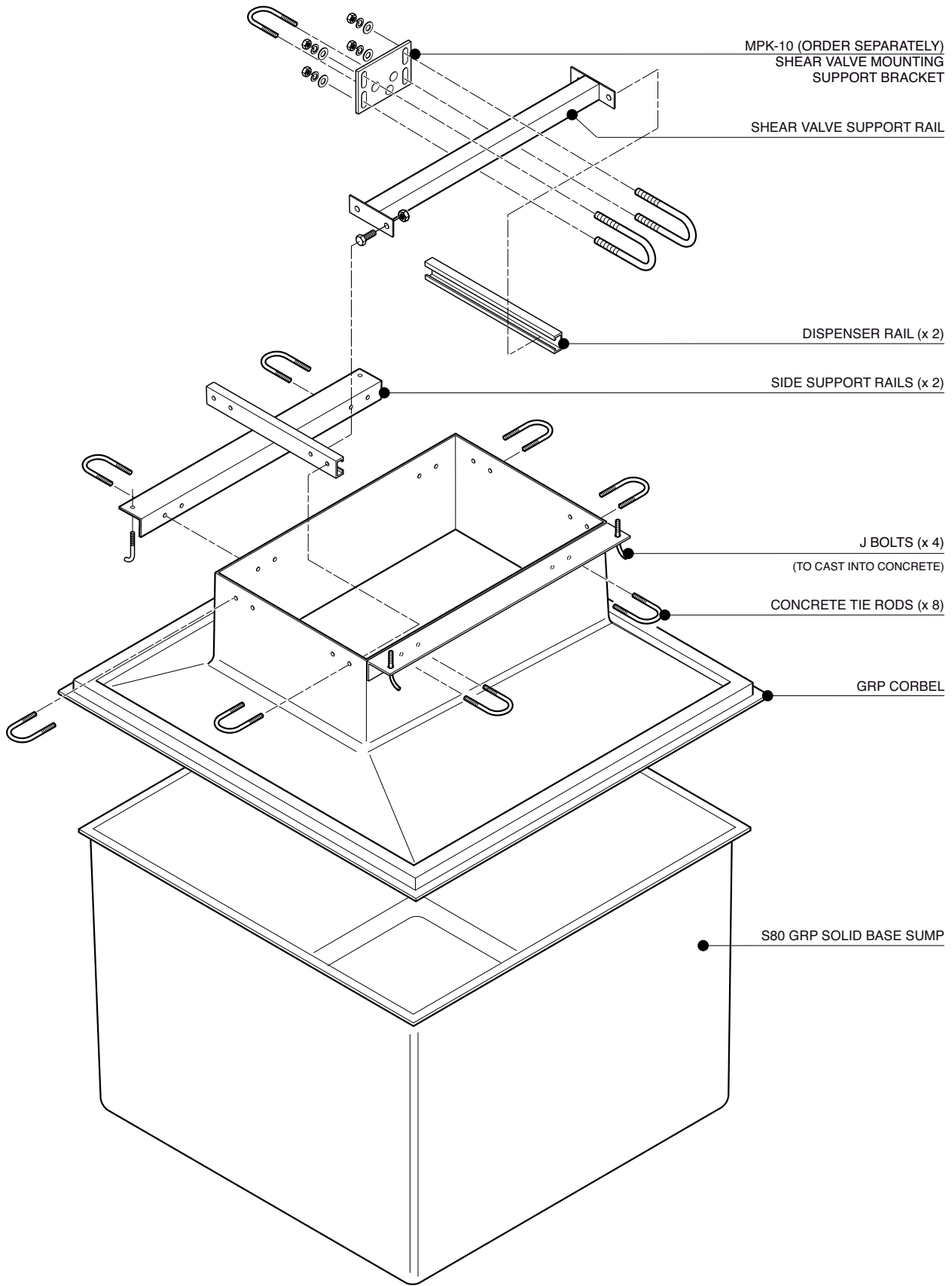


Two Grade Illustration

862mm x 862mm GRP solid base sump and corbel to fit Tokheim Quantum 300T 4 hose model to fit Tokheim Quantum 300T and T1. Includes metalwork.

For reference purposes only. This drawing is not a specification. Order against product code only. To enable continuous improvement of our products, the designs and specifications are subject to change without notice.

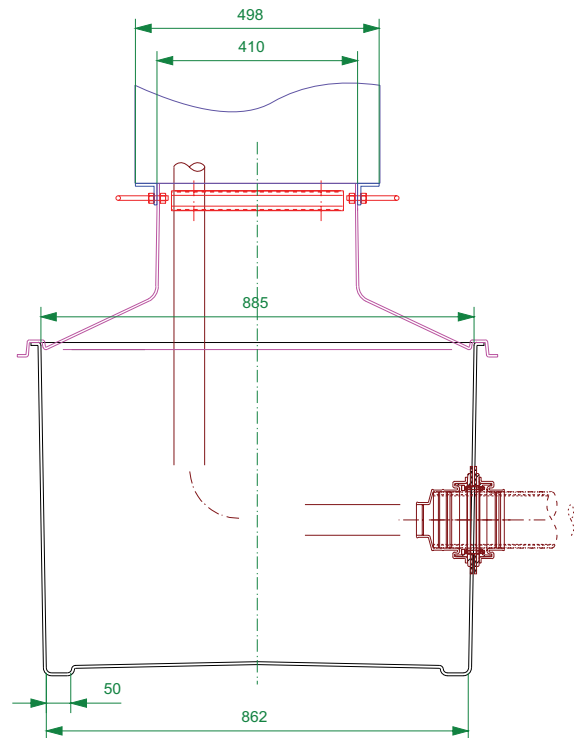
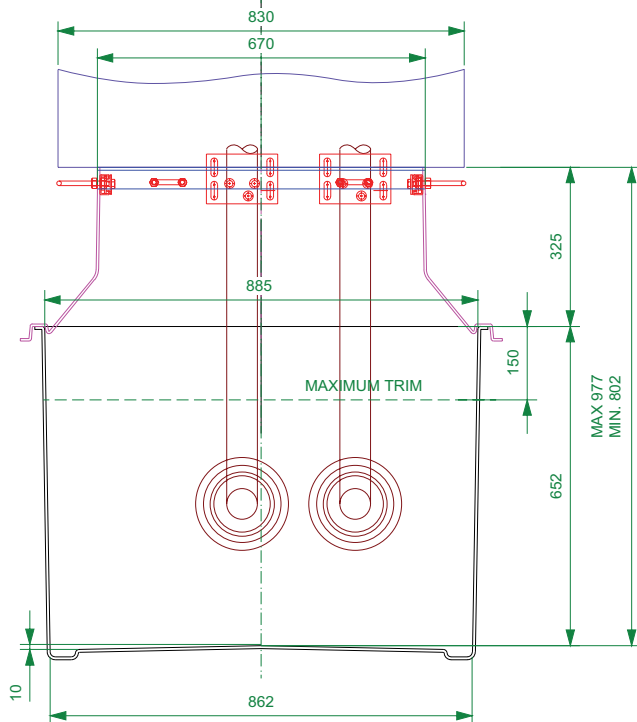
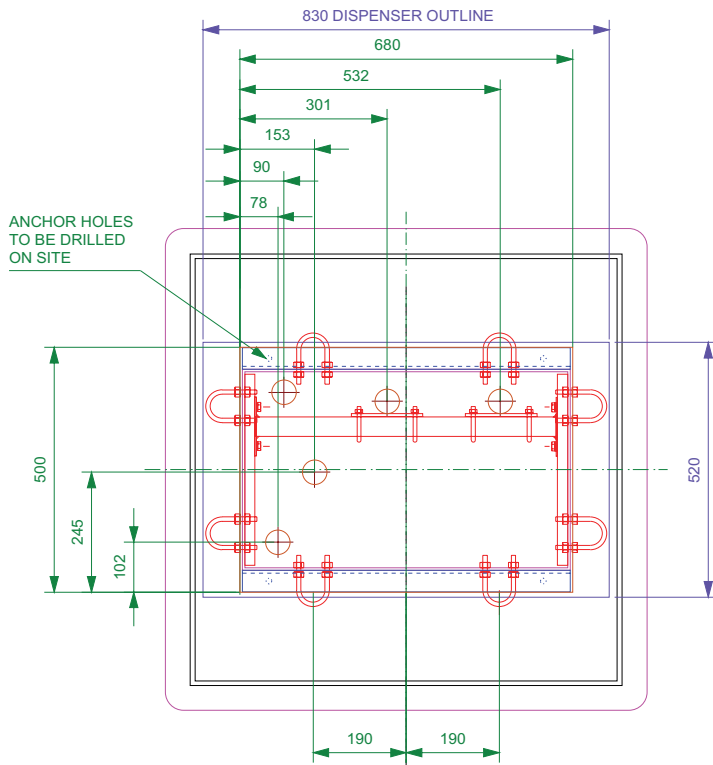
FIBRELITE 
PART OF OPW A DOVER COMPANY



862mm x 862mm GRP solid base sump and corbel to fit Tokheim Quantum 300T 4 hose model to fit Tokheim Quantum 300T and T1. Includes metalwork.

For reference purposes only. This drawing is not a specification. Order against product code only. To enable continuous improvement of our products, the designs and specifications are subject to change without notice.

FIBRELITE 
PART OF OPW A  COMPANY



862mm x 862mm GRP solid base sump and corbel to fit Tokheim Quantum 300T 4 hose model to fit Tokheim Quantum 300T and T1. Includes metalwork.

For reference purposes only. This drawing is not a specification. Order against product code only. To enable continuous improvement of our products, the designs and specifications are subject to change without notice.

FIBRELITE 
PART OF OPW A DOWDER COMPANY