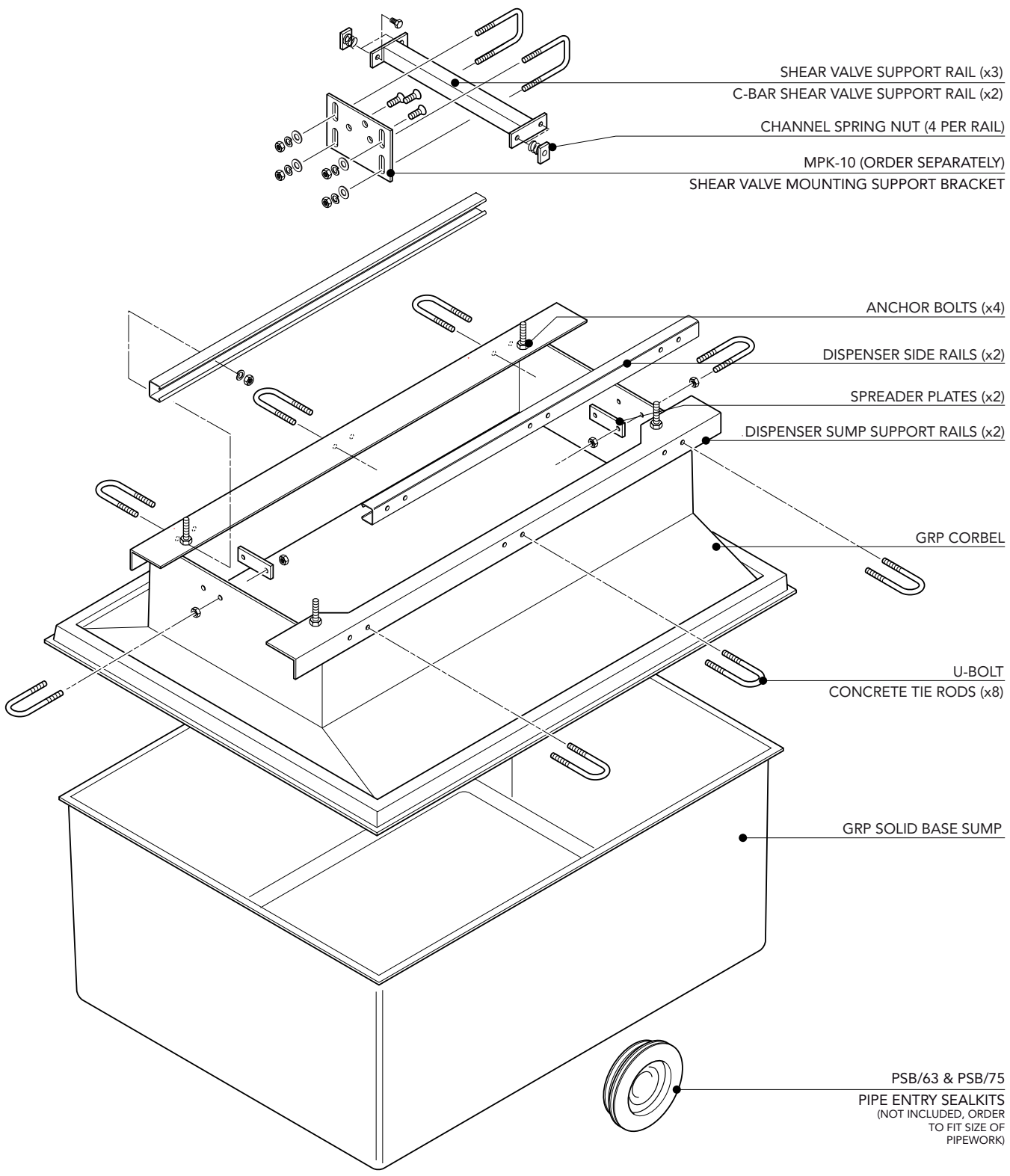


1210mm x 704mm GRP solid base sump and corbel to fit Tokheim Quantum Q410 dispenser model. Includes dispenser support rails, 5 shear valve rails and all fixings. 8 Hose version.

For reference purposes only. This drawing is not a specification. Order against product code only. To enable continuous improvement of our products, the designs and specifications are subject to change without notice.

FIBRELITE 
PART OF OPW A DOVER COMPANY

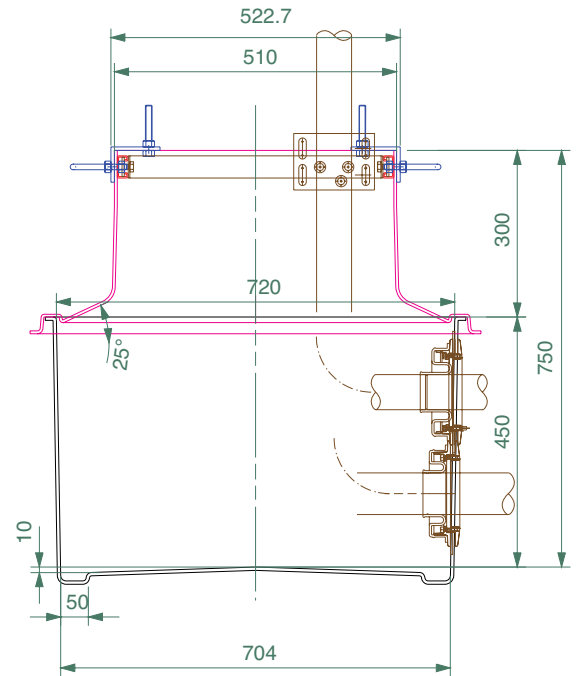
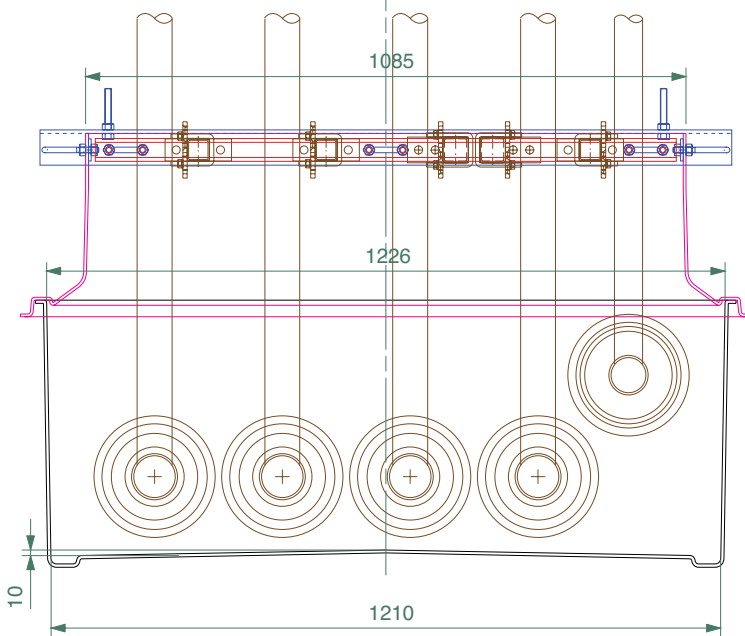
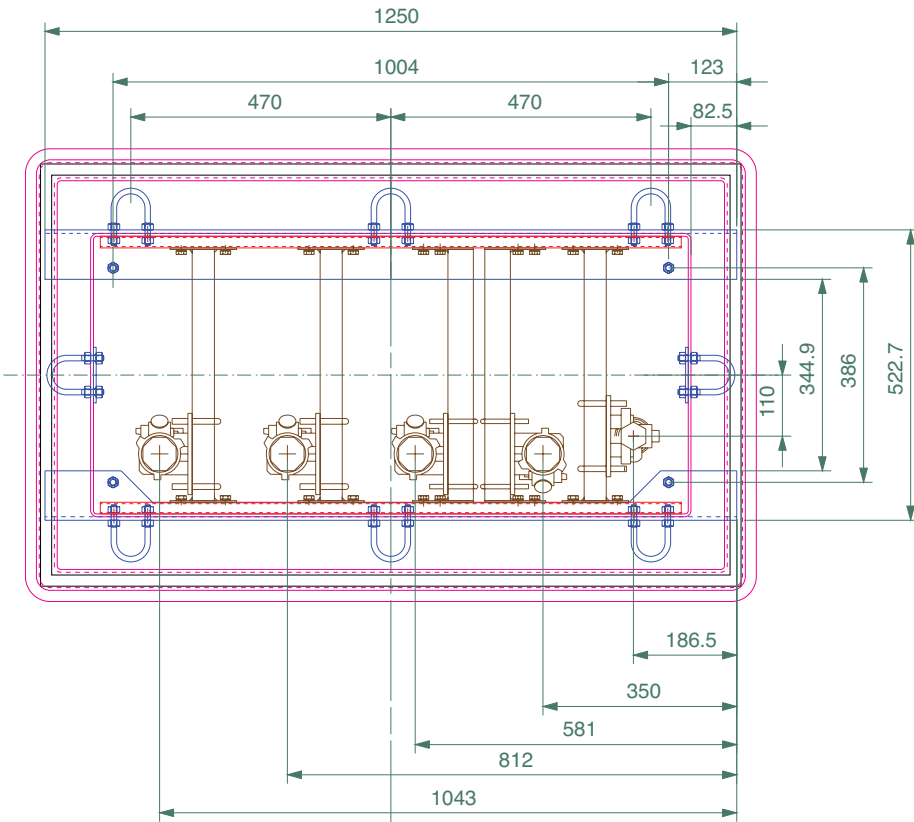


1210mm x 704mm GRP solid base sump and corbel to fit Tokheim Quantum Q410 dispenser model. Includes dispenser support rails, 5 shear valve rails and all fixings. 8 Hose version.

For reference purposes only. This drawing is not a specification. Order against product code only. To enable continuous improvement of our products, the designs and specifications are subject to change without notice.



PART OF OPW A DOVER COMPANY



1210mm x 704mm GRP solid base sump and corbel to fit Tokheim Quantum Q410 dispenser model. Includes dispenser support rails, 5 shear valve rails and all fixings. 8 Hose version.

For reference purposes only. This drawing is not a specification. Order against product code only. To enable continuous improvement of our products, the designs and specifications are subject to change without notice.

FIBRELITE 
PART OF OPW A DOVER COMPANY