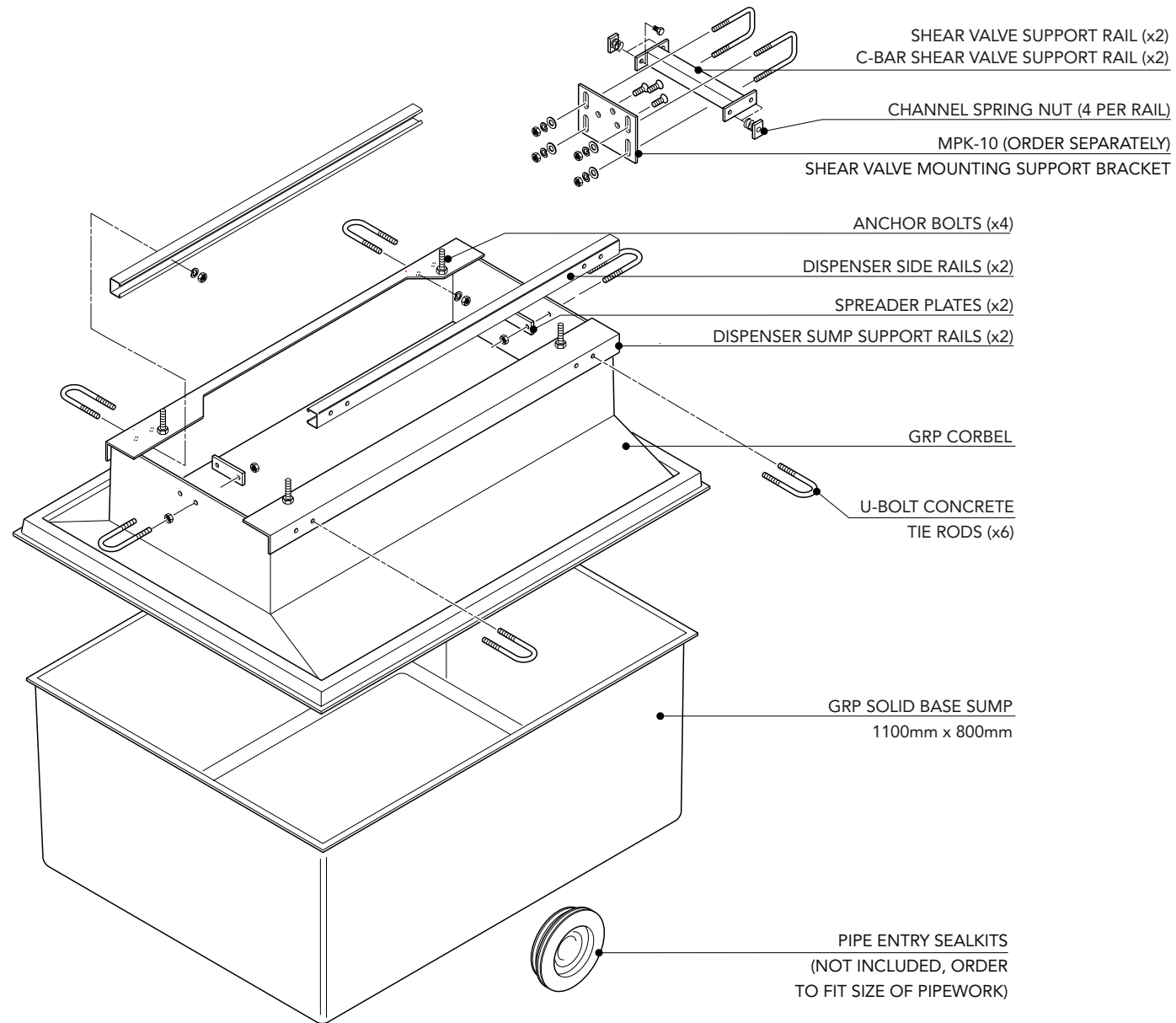


1100mm x 800mm GRP solid base sump and corbel to fit Tokheim Quantum Q430S, 6 hose, 3 product dispenser model. Includes dispenser support rails, shear valve rails and all fixings.

For reference purposes only. This drawing is not a specification. Order against product code only. To enable continuous improvement of our products, the designs and specifications are subject to change without notice.

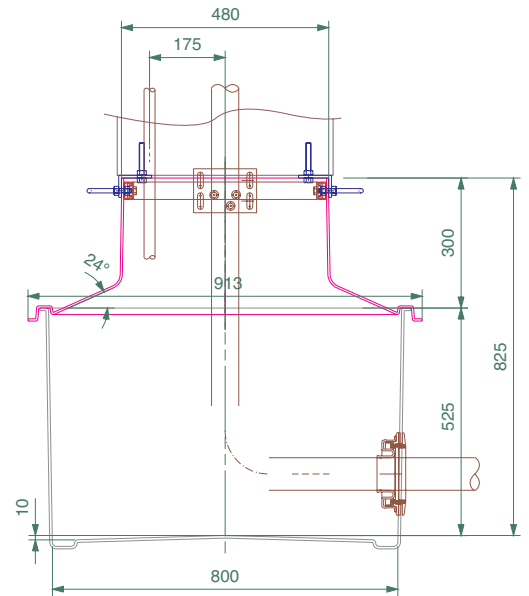
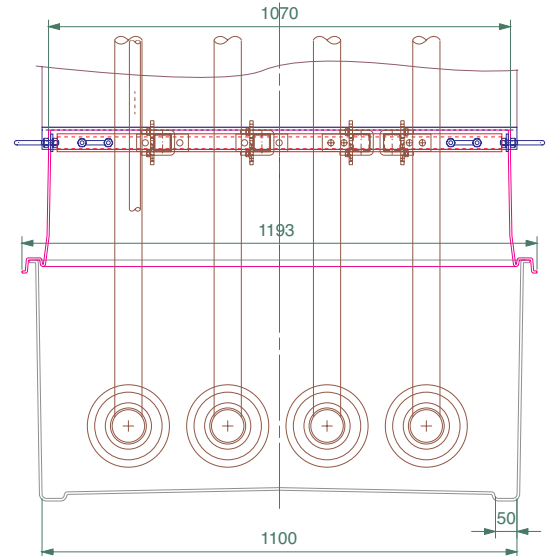
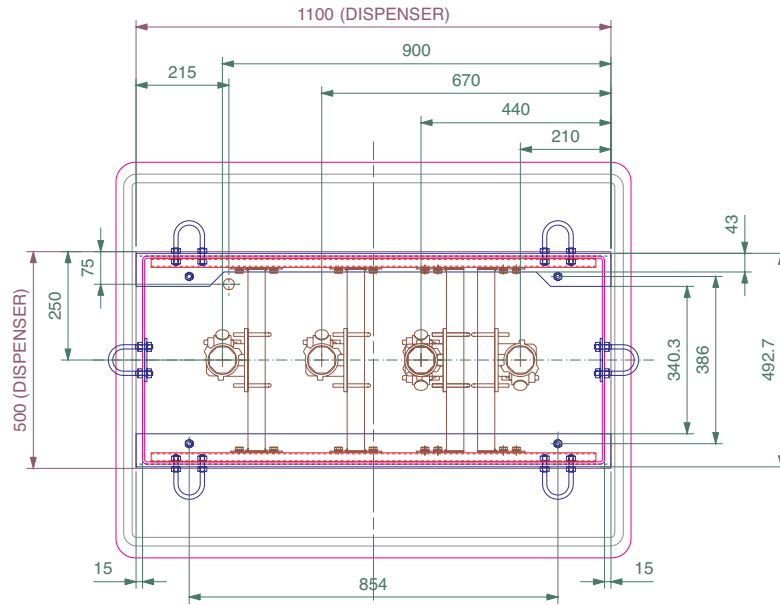
FIBRELITE 
PART OF OPW A  COMPANY



1100mm x 800mm GRP solid base sump and corbel to fit Tokheim Quantum Q430S, 6 hose, 3 product dispenser model. Includes dispenser support rails, shear valve rails and all fixings.

For reference purposes only. This drawing is not a specification. Order against product code only. To enable continuous improvement of our products, the designs and specifications are subject to change without notice.





1100mm x 800mm GRP solid base sump and corbel to fit Tokheim Quantum Q430S, 6 hose, 3 product dispenser model. Includes dispenser support rails, shear valve rails and all fixings.

For reference purposes only. This drawing is not a specification. Order against product code only. To enable continuous improvement of our products, the designs and specifications are subject to change without notice.

