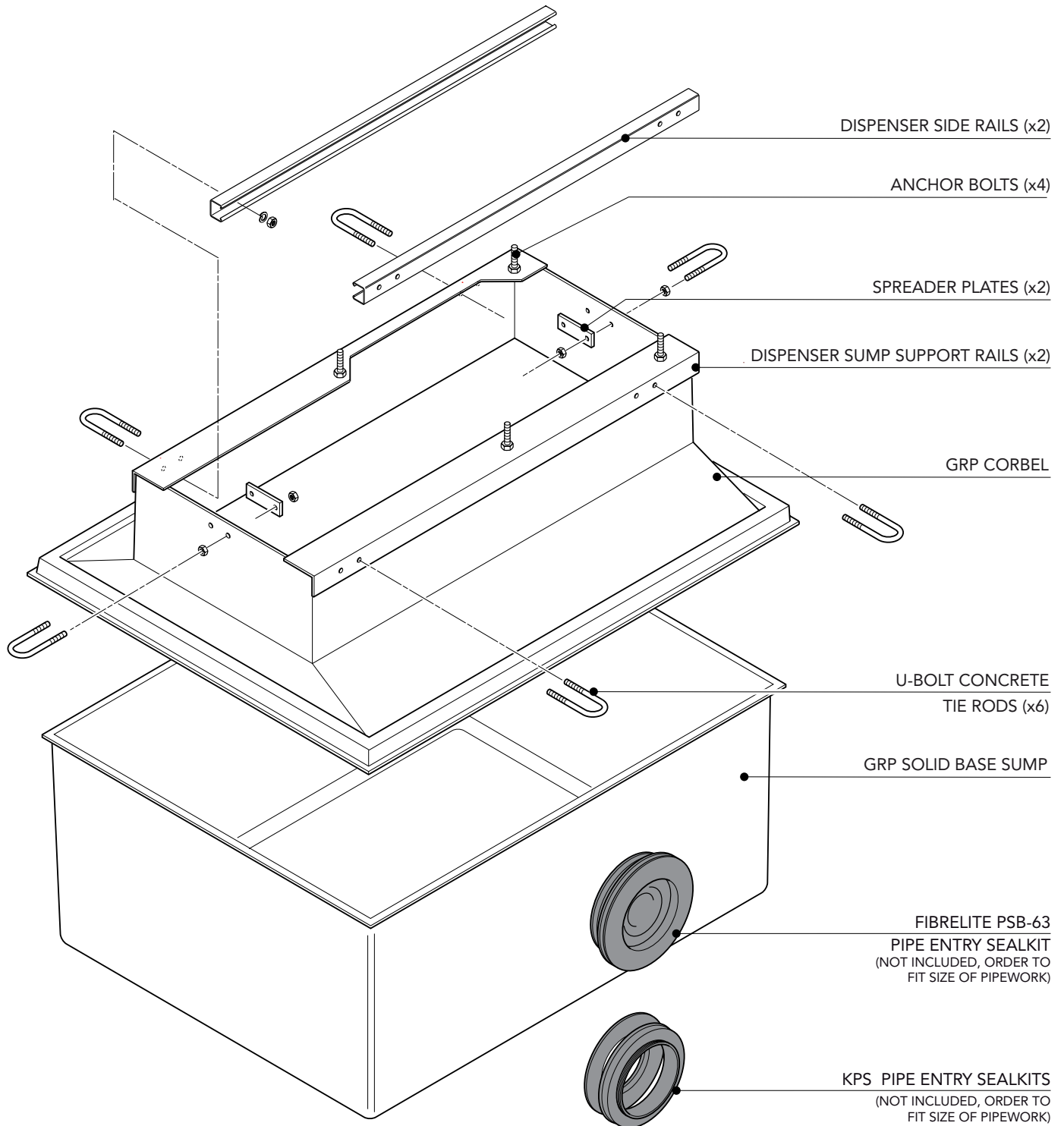
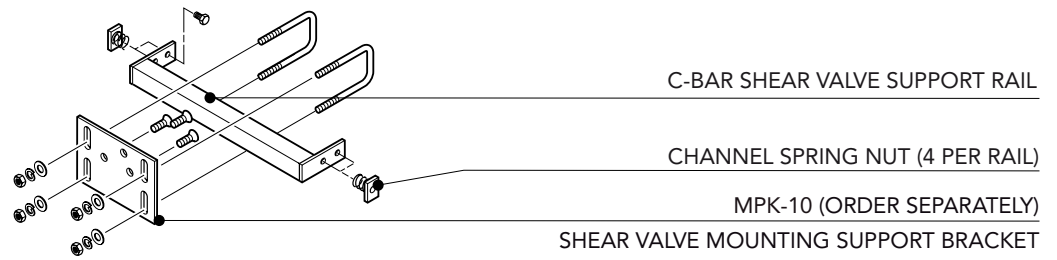


1100mm x 800mm GRP solid base sump and corbel to fit Tokheim Quantum Q510 dispenser model. Includes metalwork. KPS pipework.

For reference purposes only. This drawing is not a specification. Order against product code only. To enable continuous improvement of our products, the designs and specifications are subject to change without notice.

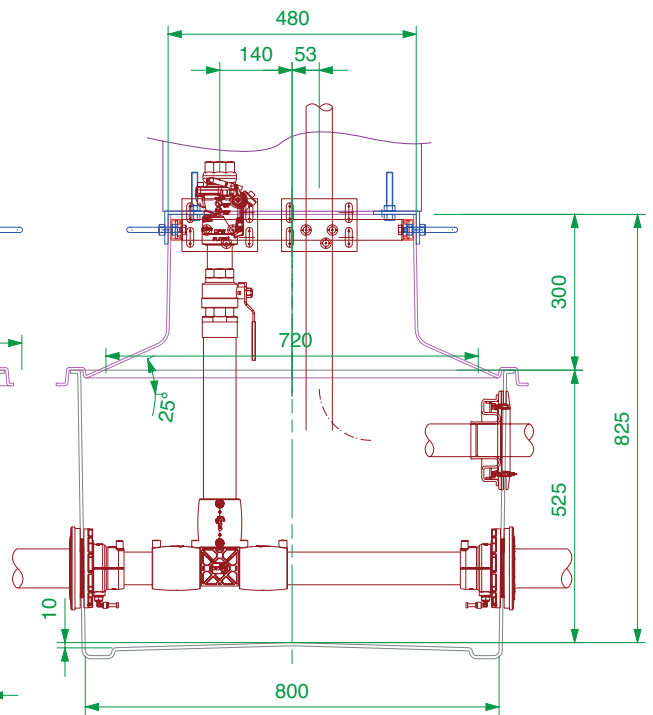
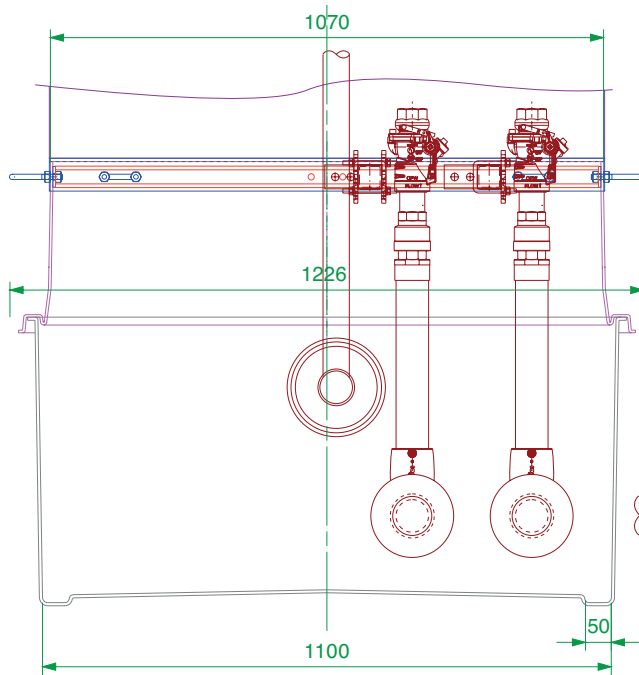
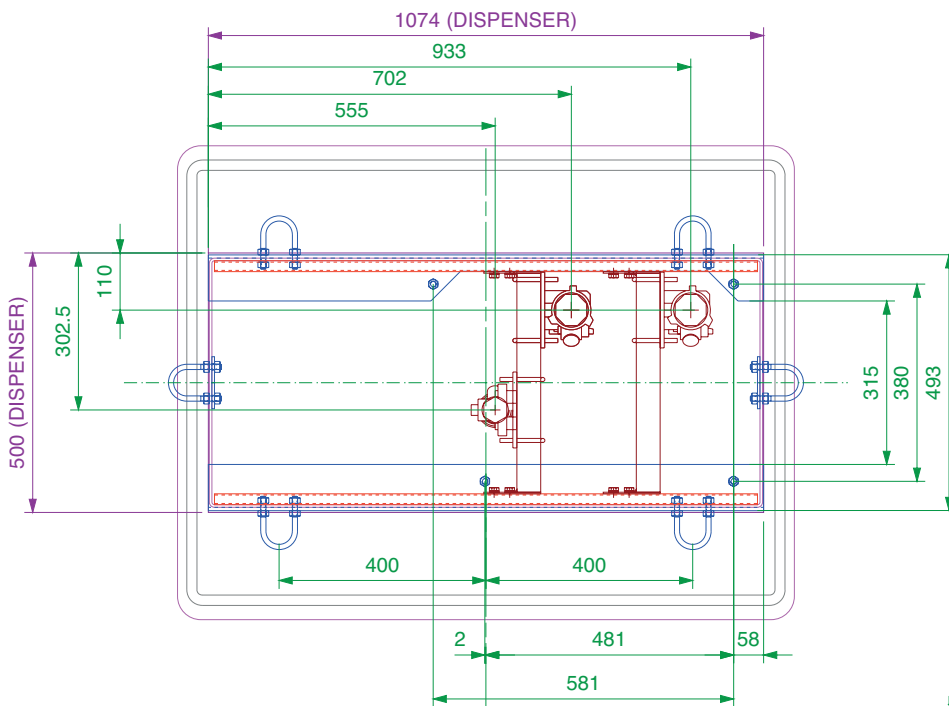
**FIBRELITE**   
PART OF OPW A DOVER COMPANY



1100mm x 800mm GRP solid base sump and corbel to fit Tokheim Quantum Q510 dispenser model. Includes metalwork. KPS pipework.

For reference purposes only. This drawing is not a specification. Order against product code only. To enable continuous improvement of our products, the designs and specifications are subject to change without notice.

**FIBRELITE**   
PART OF OPW A DOVER COMPANY



1100mm x 800mm GRP solid base sump and corbel to fit Tokheim Quantum Q510 dispenser model. Includes metalwork. KPS pipework.

For reference purposes only. This drawing is not a specification. Order against product code only. To enable continuous improvement of our products, the designs and specifications are subject to change without notice.

**FIBRELITE**   
PART OF OPW A DOVER COMPANY