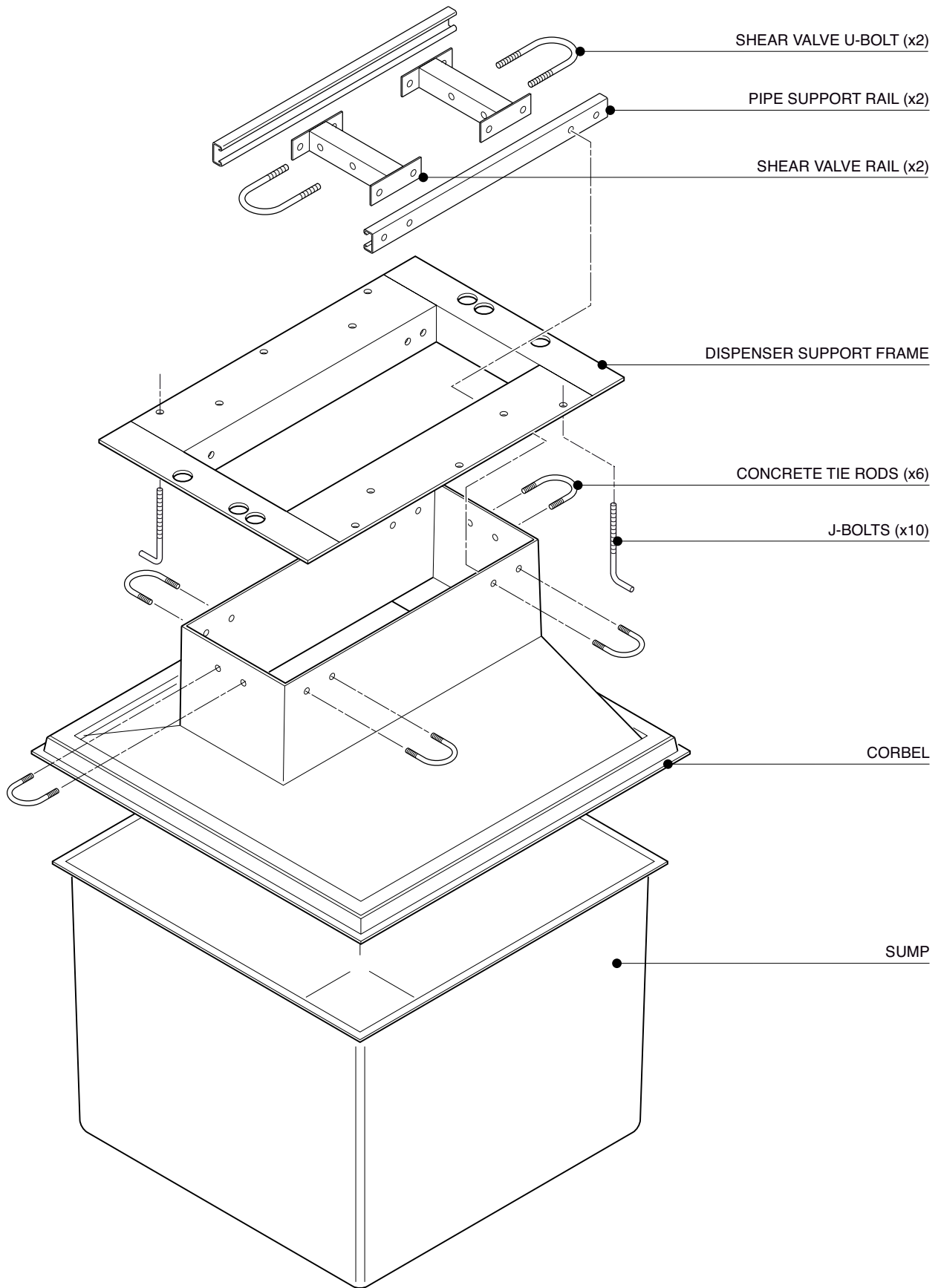


682mm x 682mm GRP solid base sump and corbel to fit Tatsuno CR Sunny model 222/LPO (2 product). Includes dispenser support framework, 10 'J' bolts, 6 concrete tie rods and 2 shear valve rail.

For reference purposes only. This drawing is not a specification. Order against product code only. To enable continuous improvement of our products, the designs and specifications are subject to change without notice.

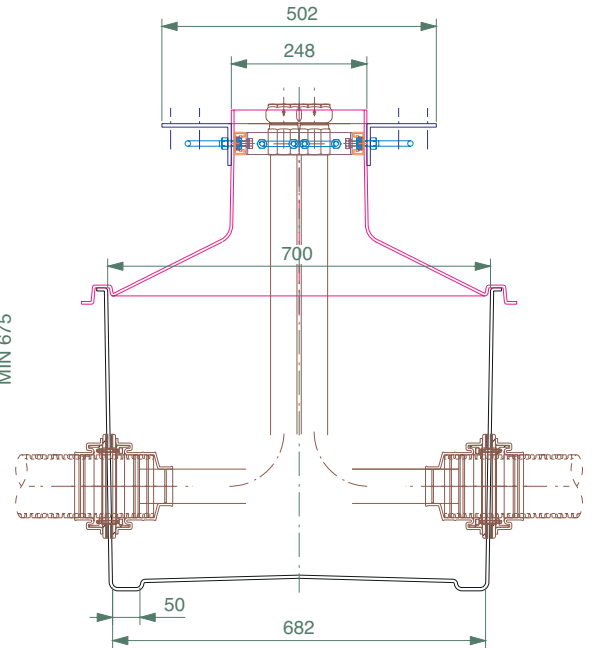
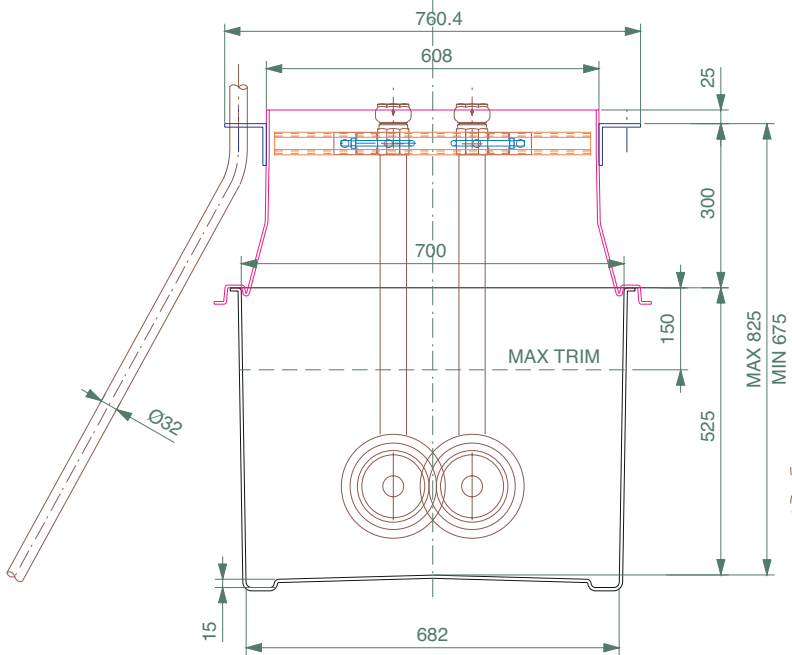
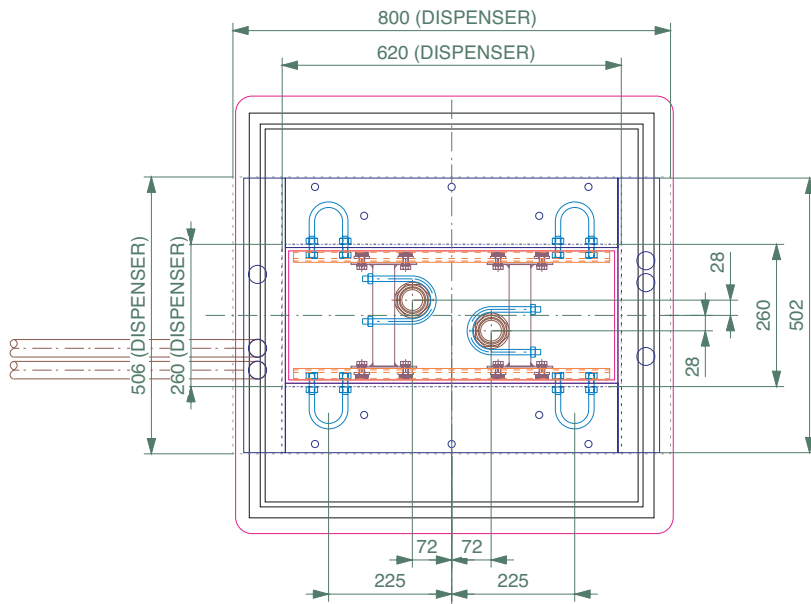
FIBRELITE 
PART OF OPW A DOVER COMPANY



682mm x 682mm GRP solid base sump and corbel to fit Tatsuno CR Sunny model 222/LPO (2 product). Includes dispenser support framework, 10 'J' bolts, 6 concrete tie rods and 2 shear valve rail.

For reference purposes only. This drawing is not a specification. Order against product code only. To enable continuous improvement of our products, the designs and specifications are subject to change without notice.

FIBRELITE 
 PART OF OPW A DOWDER COMPANY



682mm x 682mm GRP solid base sump and corbel to fit Tatsuno CR Sunny model 222/LPO (2 product). Includes dispenser support framework, 10 'J' bolts, 6 concrete tie rods and 2 shear valve rail.

For reference purposes only. This drawing is not a specification. Order against product code only. To enable continuous improvement of our products, the designs and specifications are subject to change without notice.

FIBRELITE 
PART OF OPW A DOVER COMPANY