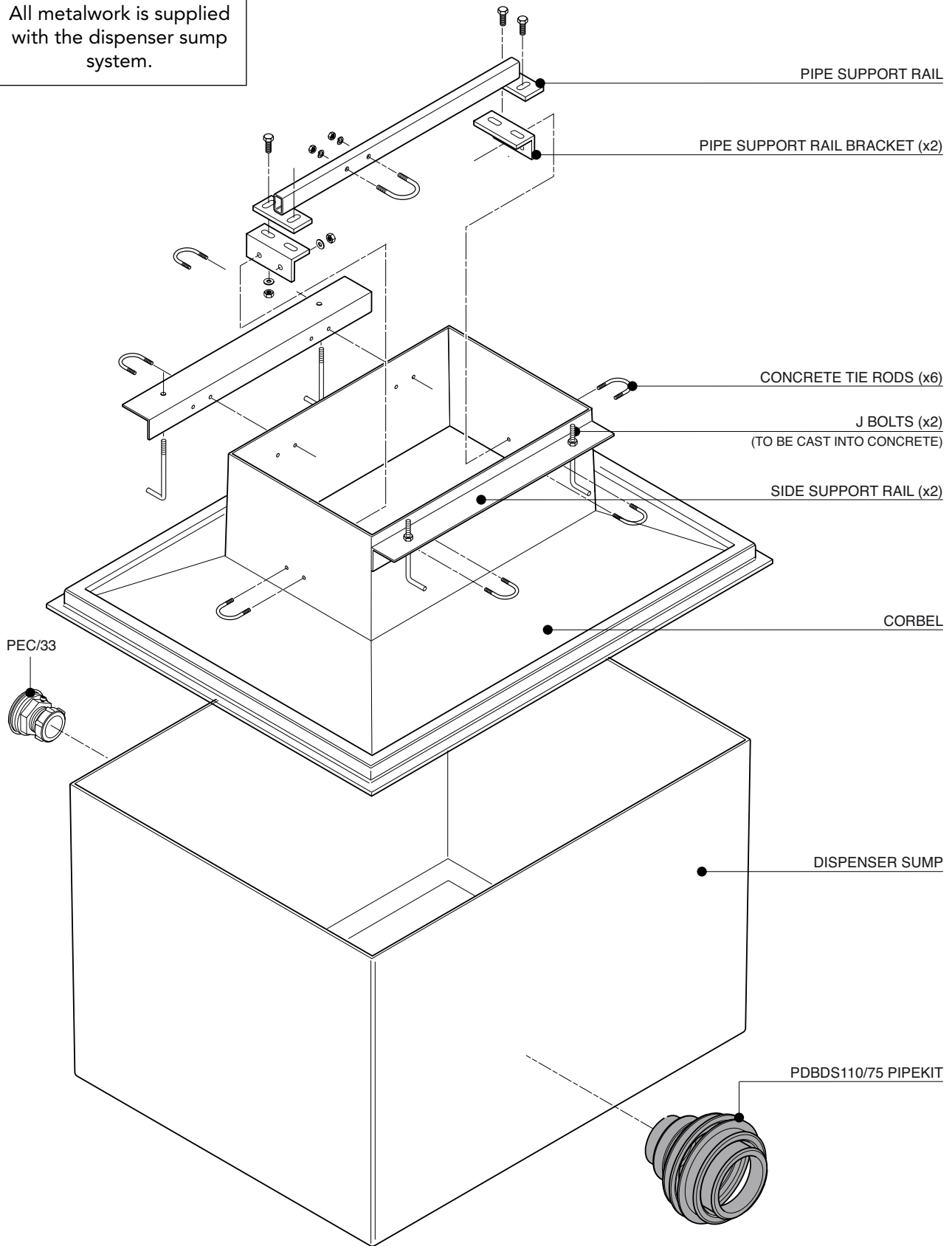


1100mm x 800mm GRP solid base sump and corbel to fit Tatsuno Neo Sunny dispenser model GAA 1222.

For reference purposes only. This drawing is not a specification. Order against product code only. To enable continuous improvement of our products, the designs and specifications are subject to change without notice.

FIBRELITE 
PART OF OPW A DOVER COMPANY

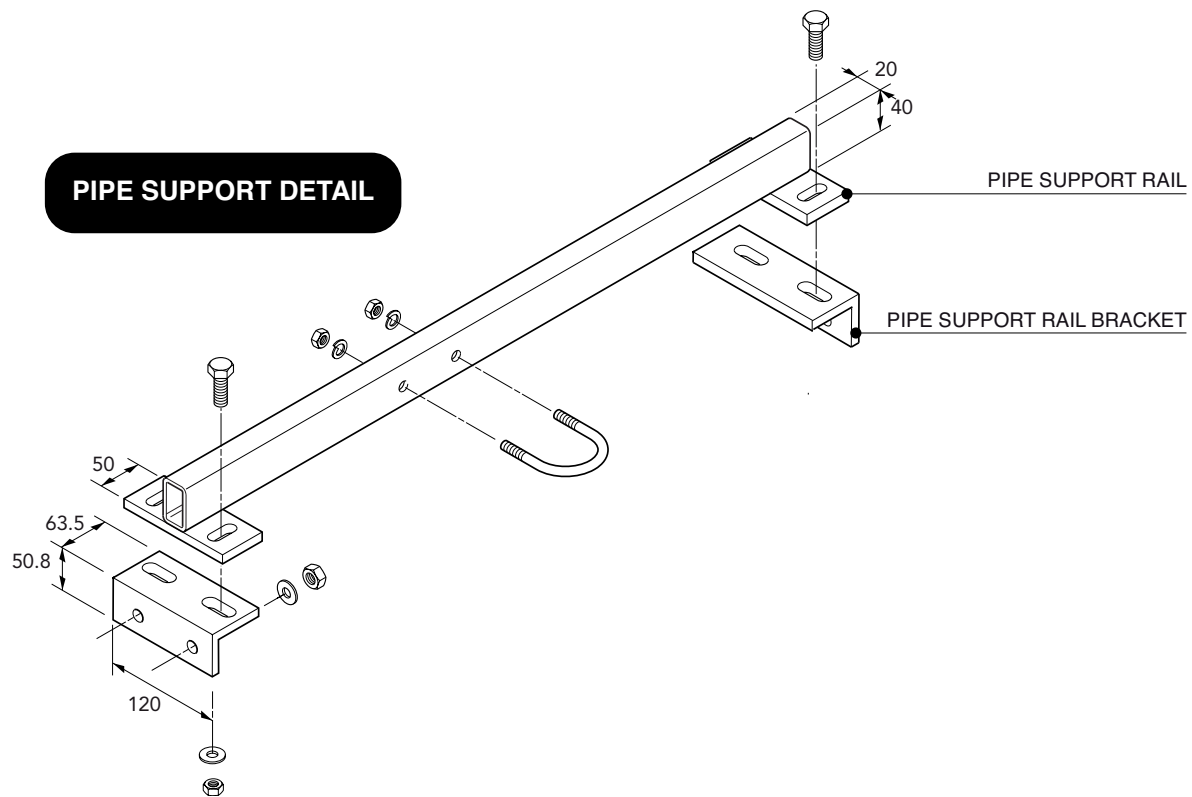
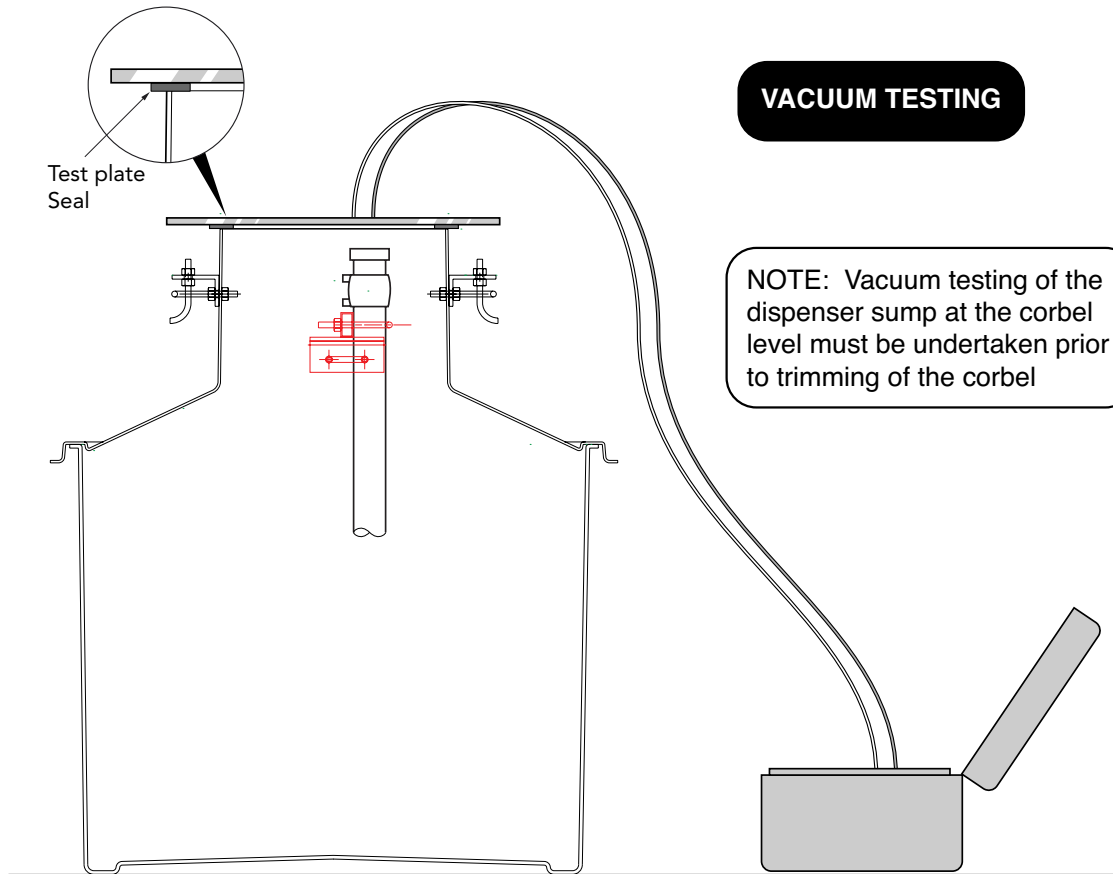
All metalwork is supplied with the dispenser sump system.



1100mm x 800mm GRP solid base sump and corbel to fit Tatsuno Neo Sunny dispenser model GAA 1222.

For reference purposes only. This drawing is not a specification. Order against product code only. To enable continuous improvement of our products, the designs and specifications are subject to change without notice.

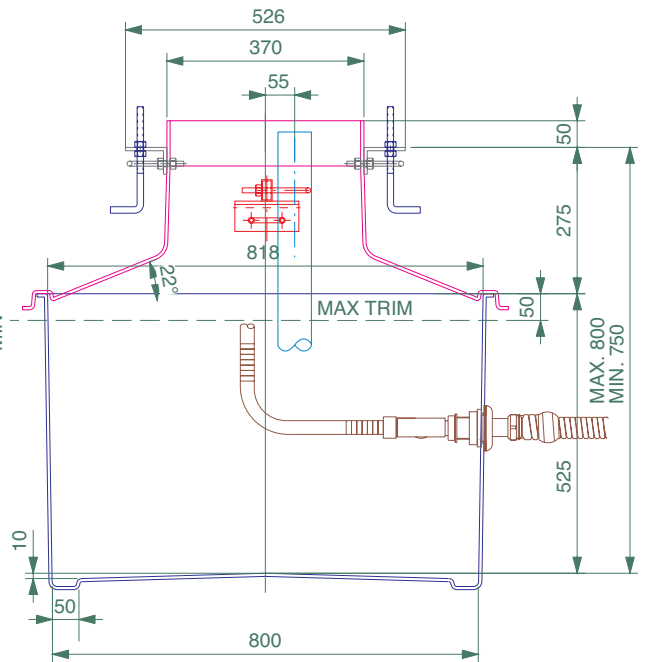
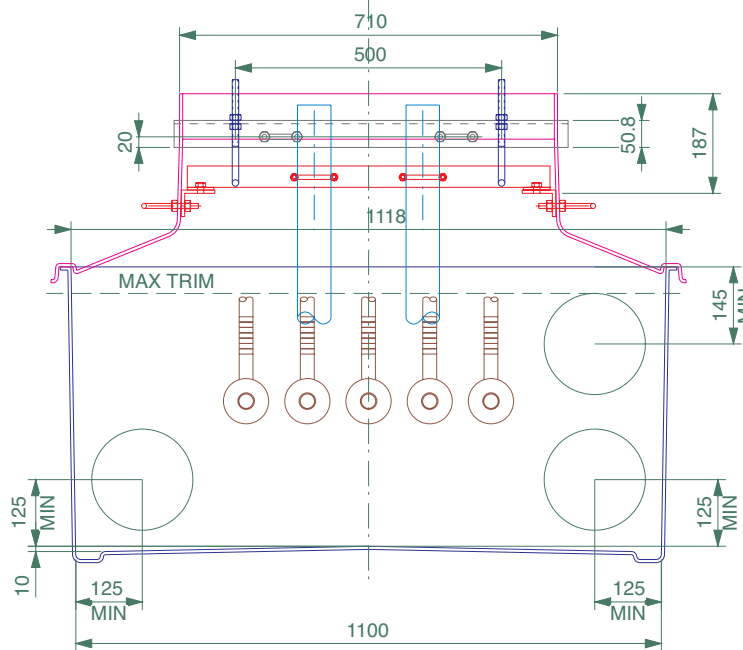
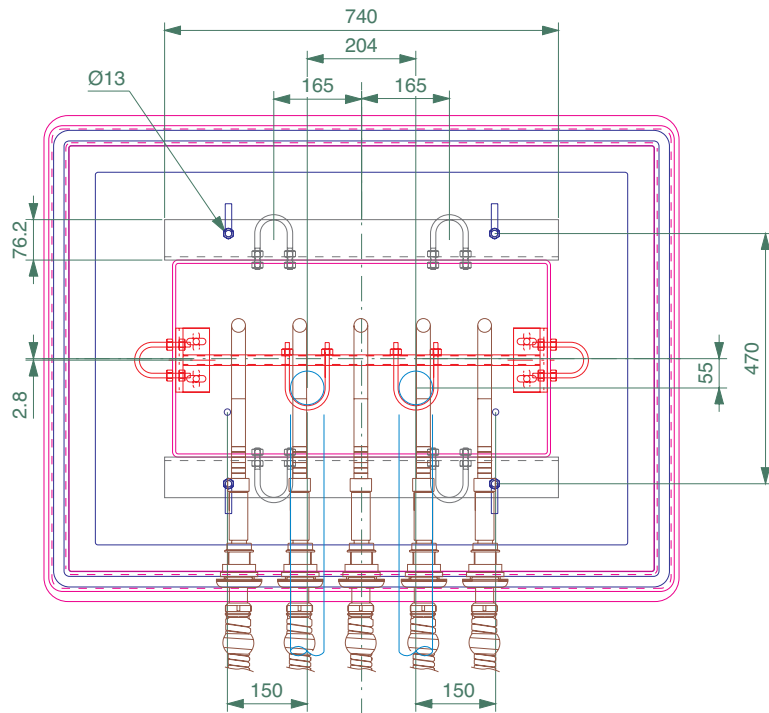
FIBRELITE 
PART OF OPW A DOVER COMPANY



1100mm x 800mm GRP solid base sump and corbel to fit Tatsuno Neo Sunny dispenser model GAA 1222.

For reference purposes only. This drawing is not a specification. Order against product code only. To enable continuous improvement of our products, the designs and specifications are subject to change without notice.

FIBRELITE 
PART OF OPW A DOVER COMPANY



1100mm x 800mm GRP solid base sump and corbel to fit Tatsuno Neo Sunny dispenser model GAA 1222.

For reference purposes only. This drawing is not a specification. Order against product code only. To enable continuous improvement of our products, the designs and specifications are subject to change without notice.

FIBRELITE 
PART OF OPW A DOWDER COMPANY