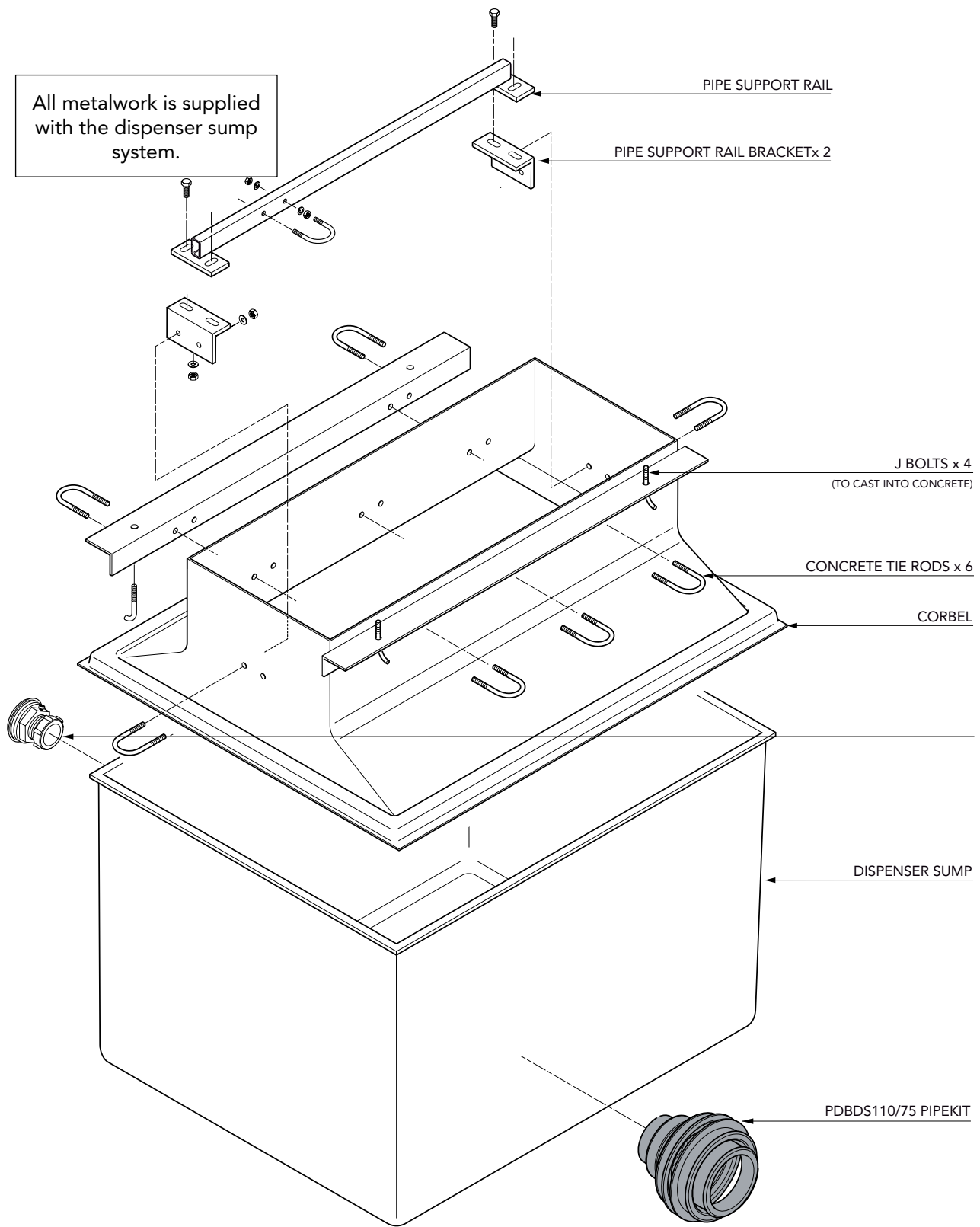


1100mm x 800mm GRP solid base sump and corbel to fit Tatsuno Neo Sunny dispenser model GAB 3662

For reference purposes only. This drawing is not a specification. Order against product code only. To enable continuous improvement of our products, the designs and specifications are subject to change without notice.

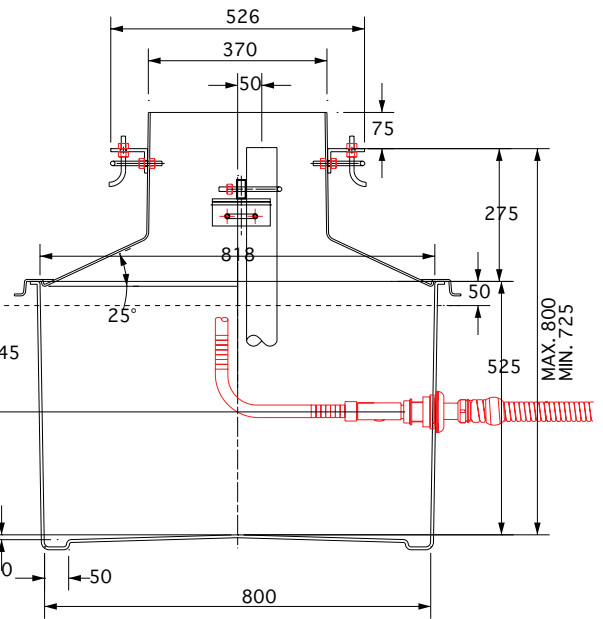
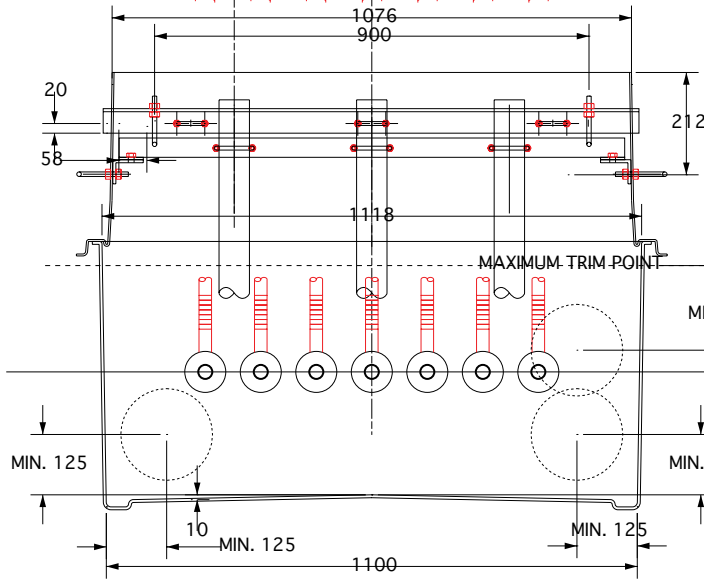
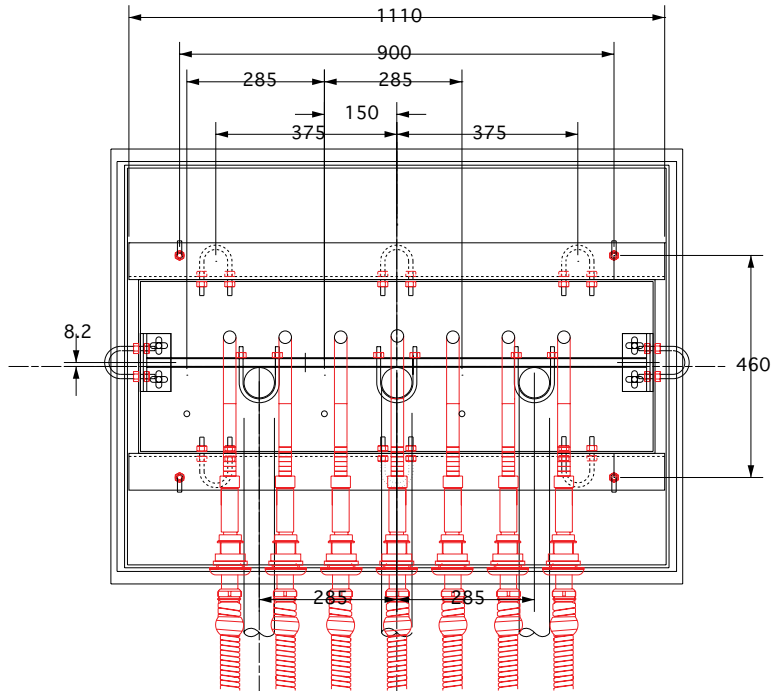
FIBRELITE 
PART OF OPW A DOVER COMPANY



1100mm x 800mm GRP solid base sump and corbel to fit Tatsuno Neo Sunny dispenser model GAB 3662

For reference purposes only. This drawing is not a specification. Order against product code only. To enable continuous improvement of our products, the designs and specifications are subject to change without notice.

FIBRELITE 
 PART OF OPW A DOVER COMPANY



1100mm x 800mm GRP solid base sump and corbel to fit Tatsuno Neo Sunny dispenser model GAB 3662

For reference purposes only. This drawing is not a specification. Order against product code only. To enable continuous improvement of our products, the designs and specifications are subject to change without notice.

FIBRELITE 
PART OF OPW A DOVER COMPANY

Vacuum Testing of the dispenser sump at the corbel level must be undertaken prior to trimming of the corbel.

