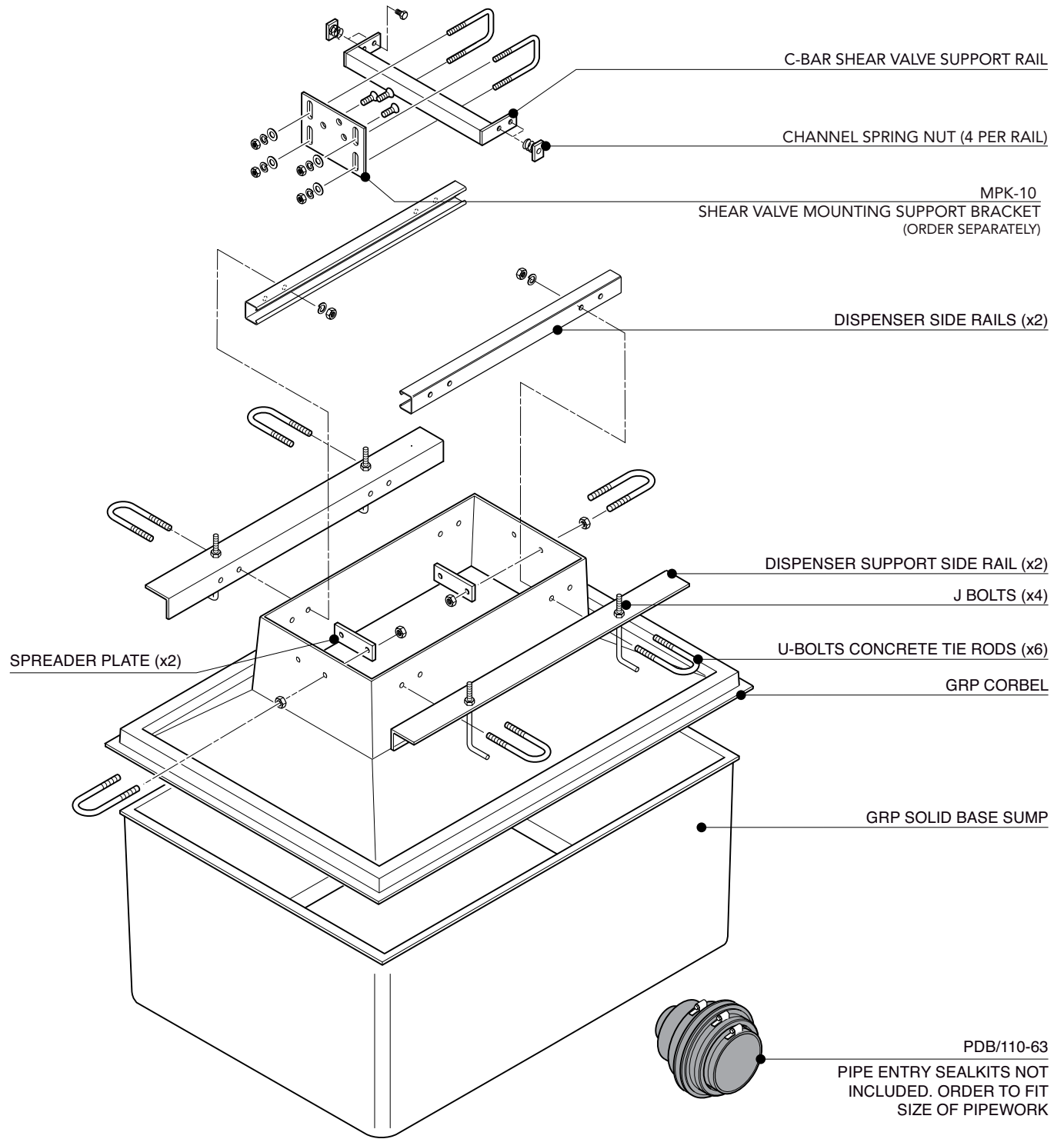


1100mm x 800mm GRP solid base sump and corbel to fit to fit Tatsuno Neosunny GDA BC019644 model, 4 hose , 2 product dispenser. Includes metal work.

For reference purposes only. This drawing is not a specification. Order against product code only. To enable continuous improvement of our products, the designs and specifications are subject to change without notice.

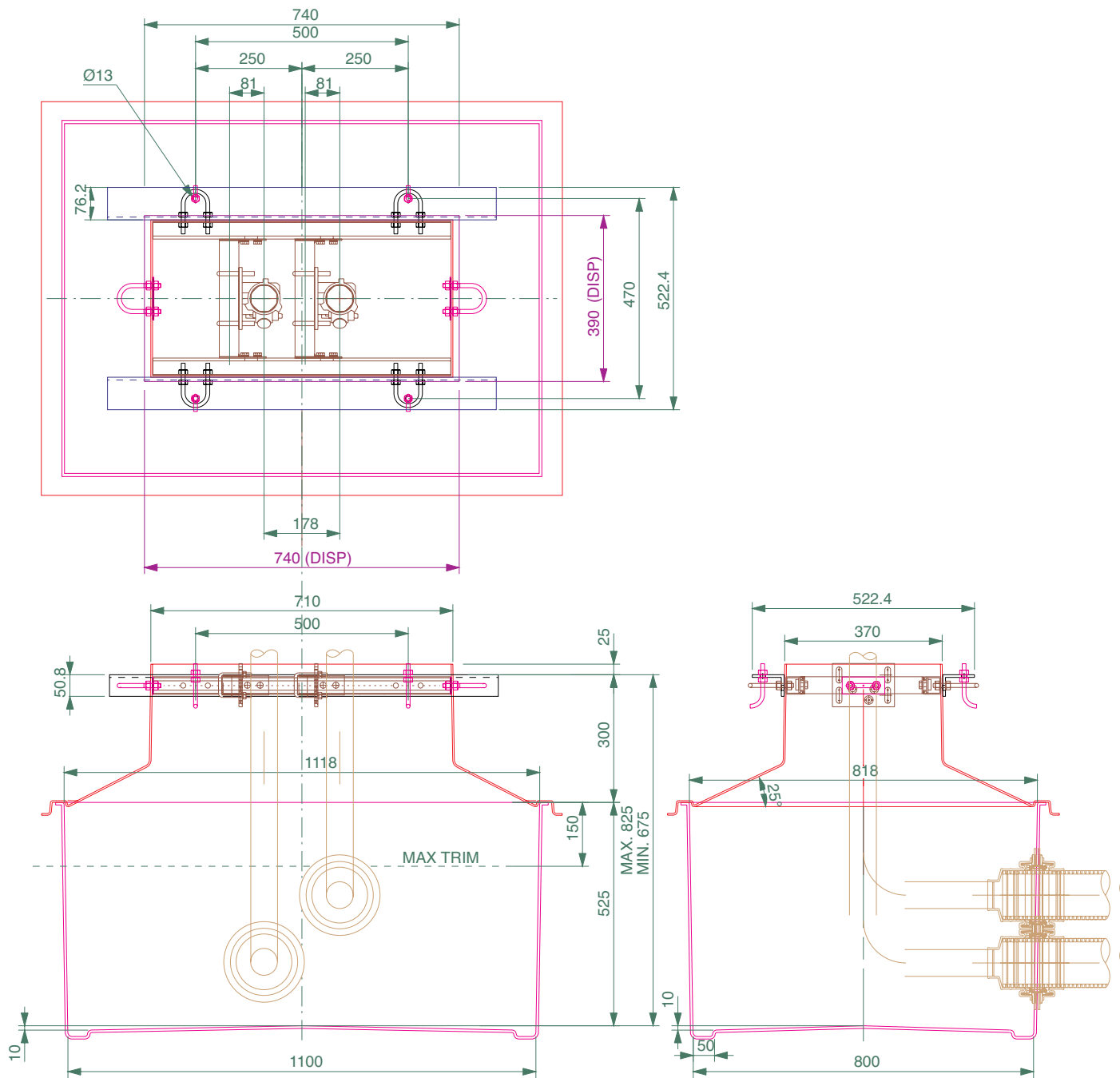
FIBRELITE 
PART OF OPW A DOVER COMPANY



1100mm x 800mm GRP solid base sump and corbel to fit to fit Tatsuno Neosunny GDA BC019644 model, 4 hose , 2 product dispenser. Includes metal work.

For reference purposes only. This drawing is not a specification. Order against product code only. To enable continuous improvement of our products, the designs and specifications are subject to change without notice.

FIBRELITE 
PART OF OPW A DOVER COMPANY



1100mm x 800mm GRP solid base sump and corbel to fit to fit Tatsuno Neosunny GDA BC019644 model, 4 hose , 2 product dispenser. Includes metal work.

For reference purposes only. This drawing is not a specification. Order against product code only. To enable continuous improvement of our products, the designs and specifications are subject to change without notice.

FIBRELITE 
PART OF OPW A DOVER COMPANY