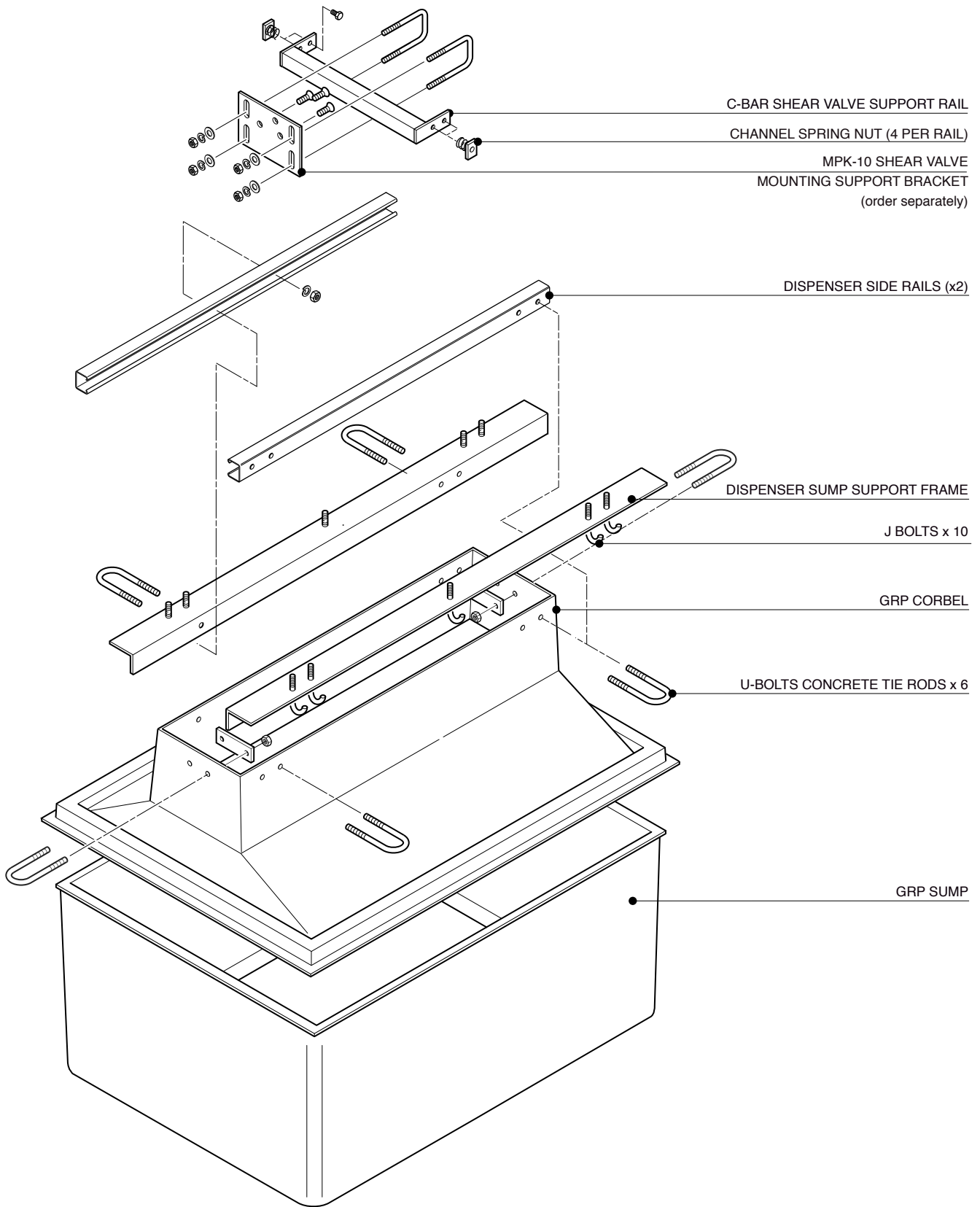


1100mm x 800mm GRP solid base sump and corbel for Salesmaker 8H - SM1080 dispenser. Includes Metal work.

For reference purposes only. This drawing is not a specification. Order against product code only. To enable continuous improvement of our products, the designs and specifications are subject to change without notice.

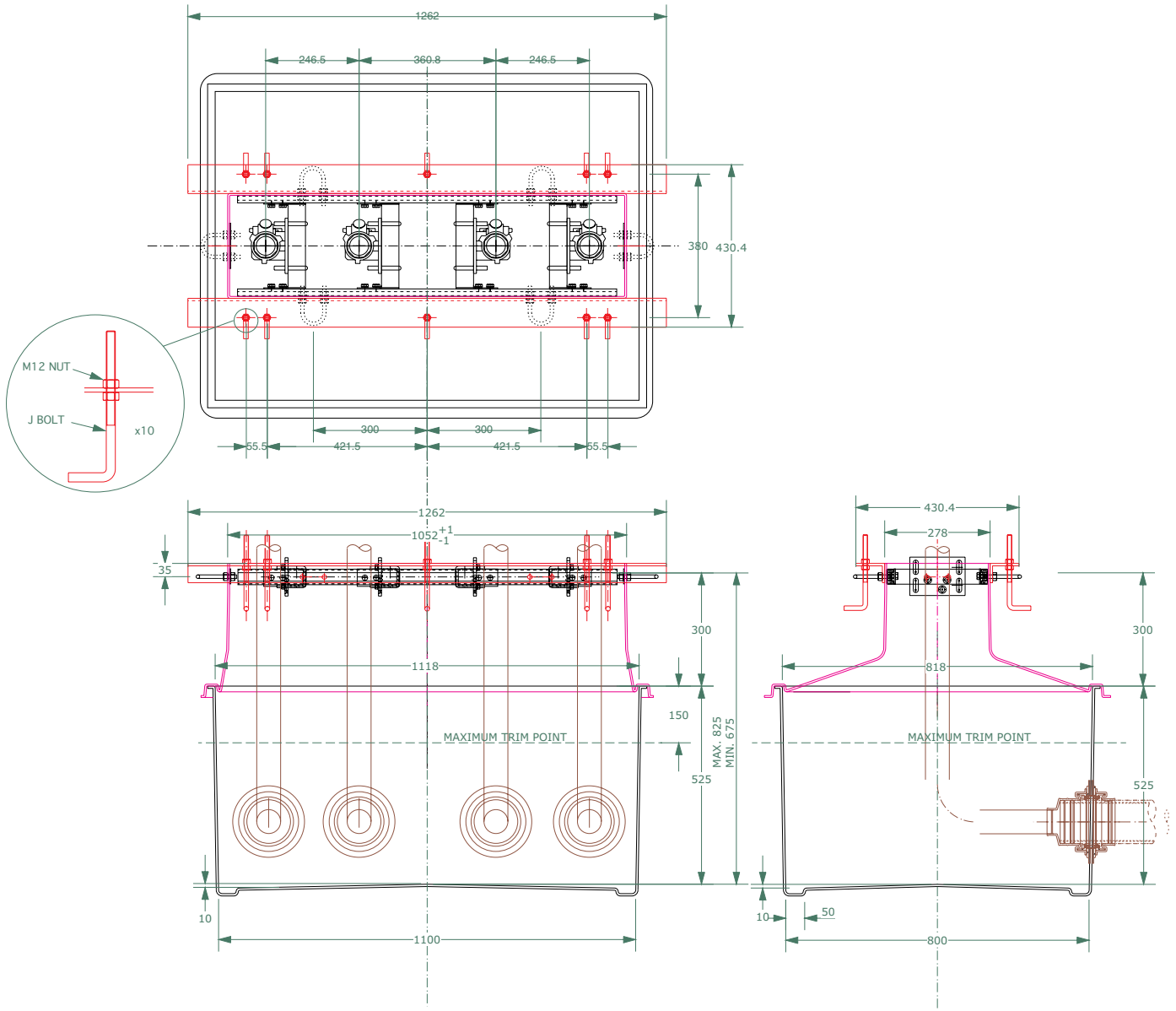
FIBRELITE 
PART OF OPW A DOVER COMPANY



1100mm x 800mm GRP solid base sump and corbel for Salesmaker 8H - SM1080 dispenser. Includes Metal work.

For reference purposes only. This drawing is not a specification. Order against product code only. To enable continuous improvement of our products, the designs and specifications are subject to change without notice.

FIBRELITE 
PART OF OPW A DOVER COMPANY



1100mm x 800mm GRP solid base sump and corbel for Salesmaker 8H - SM1080 dispenser. Includes Metal work.

For reference purposes only. This drawing is not a specification. Order against product code only. To enable continuous improvement of our products, the designs and specifications are subject to change without notice.

FIBRELITE 
PART OF OPW A DOVER COMPANY