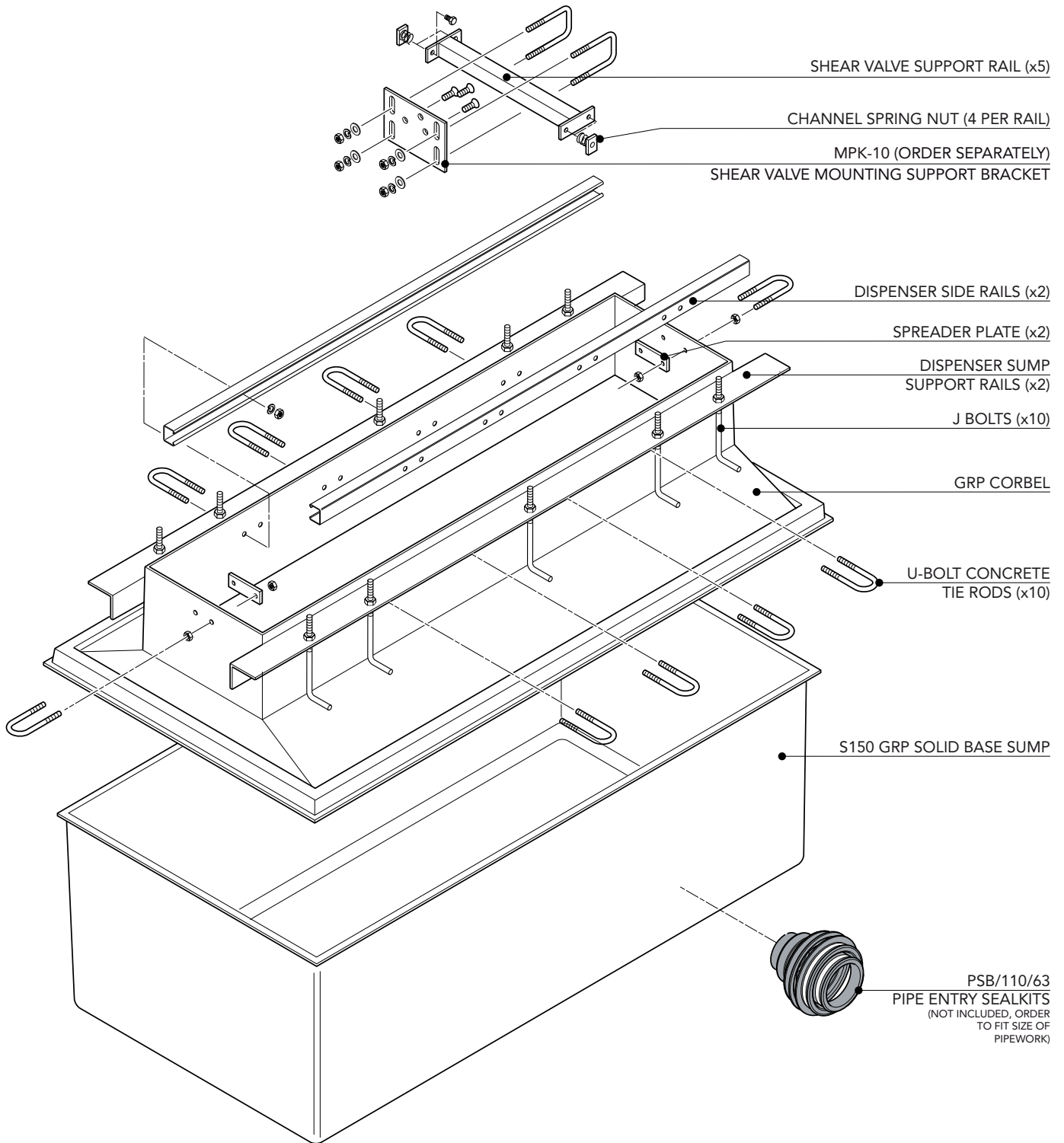


1556mm x 720mm FRP solid base sump and corbel with dispenser framework and 5 shear valve rails to fit Tatsuno Sunny XE model. Fits 5 product lines. Order MPK-10 shear valve rail mounting bracket separately.

For reference purposes only. This drawing is not a specification. Order against product code only. To enable continuous improvement of our products, the designs and specifications are subject to change without notice.



SHEAR VALVE SUPPORT RAIL (x5)

CHANNEL SPRING NUT (4 PER RAIL)

MPK-10 (ORDER SEPARATELY)

SHEAR VALVE MOUNTING SUPPORT BRACKET

DISPENSER SIDE RAILS (x2)

SPREADER PLATE (x2)

DISPENSER SUMP
SUPPORT RAILS (x2)

J BOLTS (x10)

GRP CORBEL

U-BOLT CONCRETE
TIE RODS (x10)

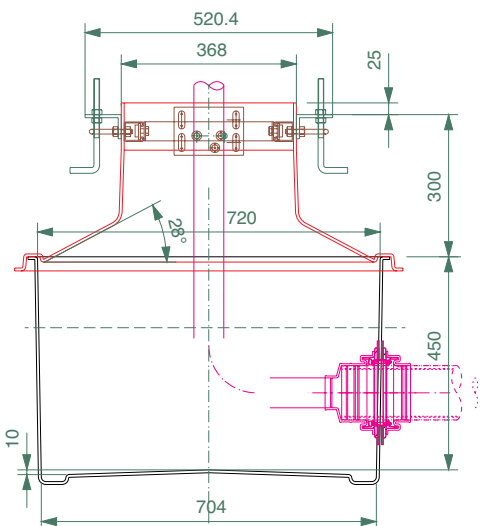
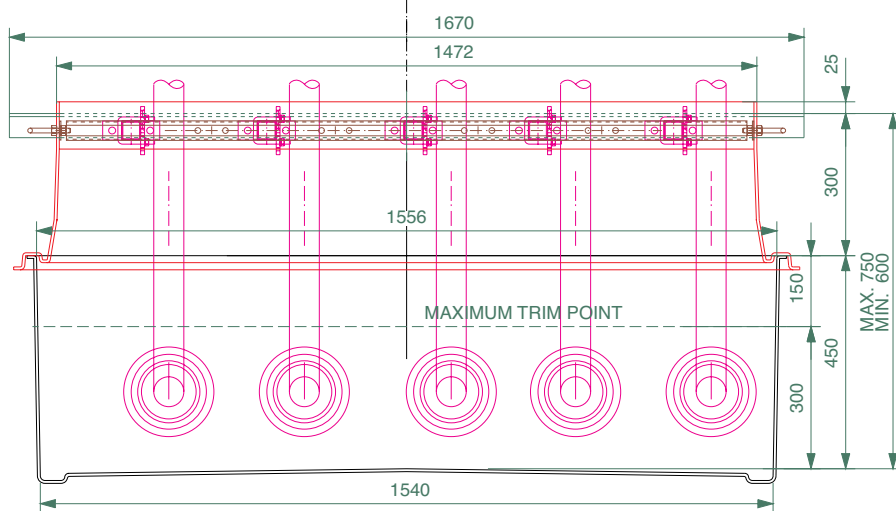
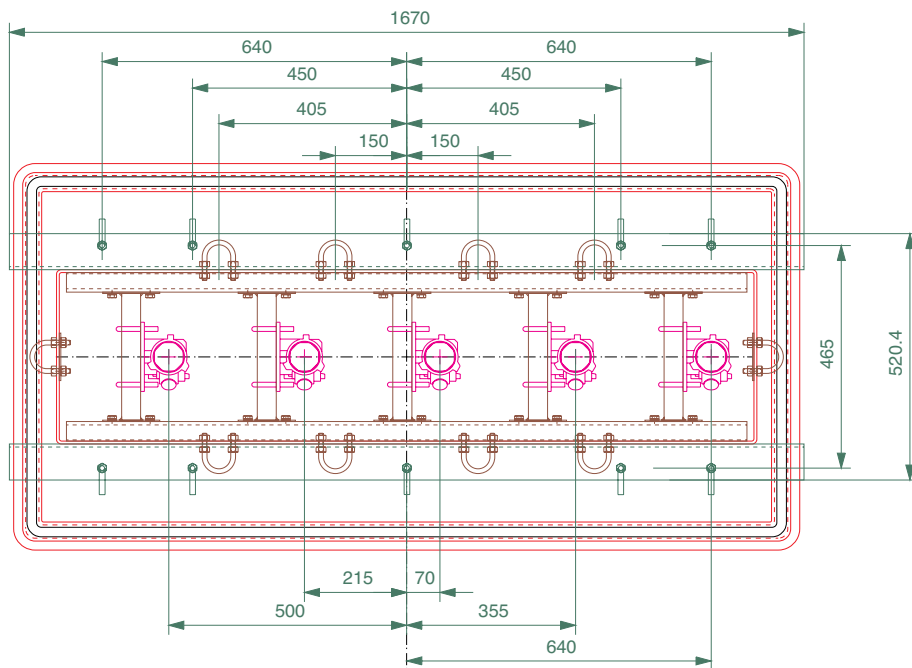
S150 GRP SOLID BASE SUMP

PSB/110/63
PIPE ENTRY SEALKITS
(NOT INCLUDED, ORDER
TO FIT SIZE OF
PIPEWORK)

1556mm x 720mm FRP solid base sump and corbel with dispenser framework and 5 shear valve rails to fit Tatsuno Sunny XE model. Fits 5 product lines. Order MPK-10 shear valve rail mounting bracket separately.

For reference purposes only. This drawing is not a specification. Order against product code only. To enable continuous improvement of our products, the designs and specifications are subject to change without notice.

FIBRELITE 
PART OF OPW A DOVER COMPANY



1556mm x 720mm FRP solid base sump and corbel with dispenser framework and 5 shear valve rails to fit Tatsuno Sunny XE model. Fits 5 product lines. Order MPK-10 shear valve rail mounting bracket separately.

For reference purposes only. This drawing is not a specification. Order against product code only. To enable continuous improvement of our products, the designs and specifications are subject to change without notice.

