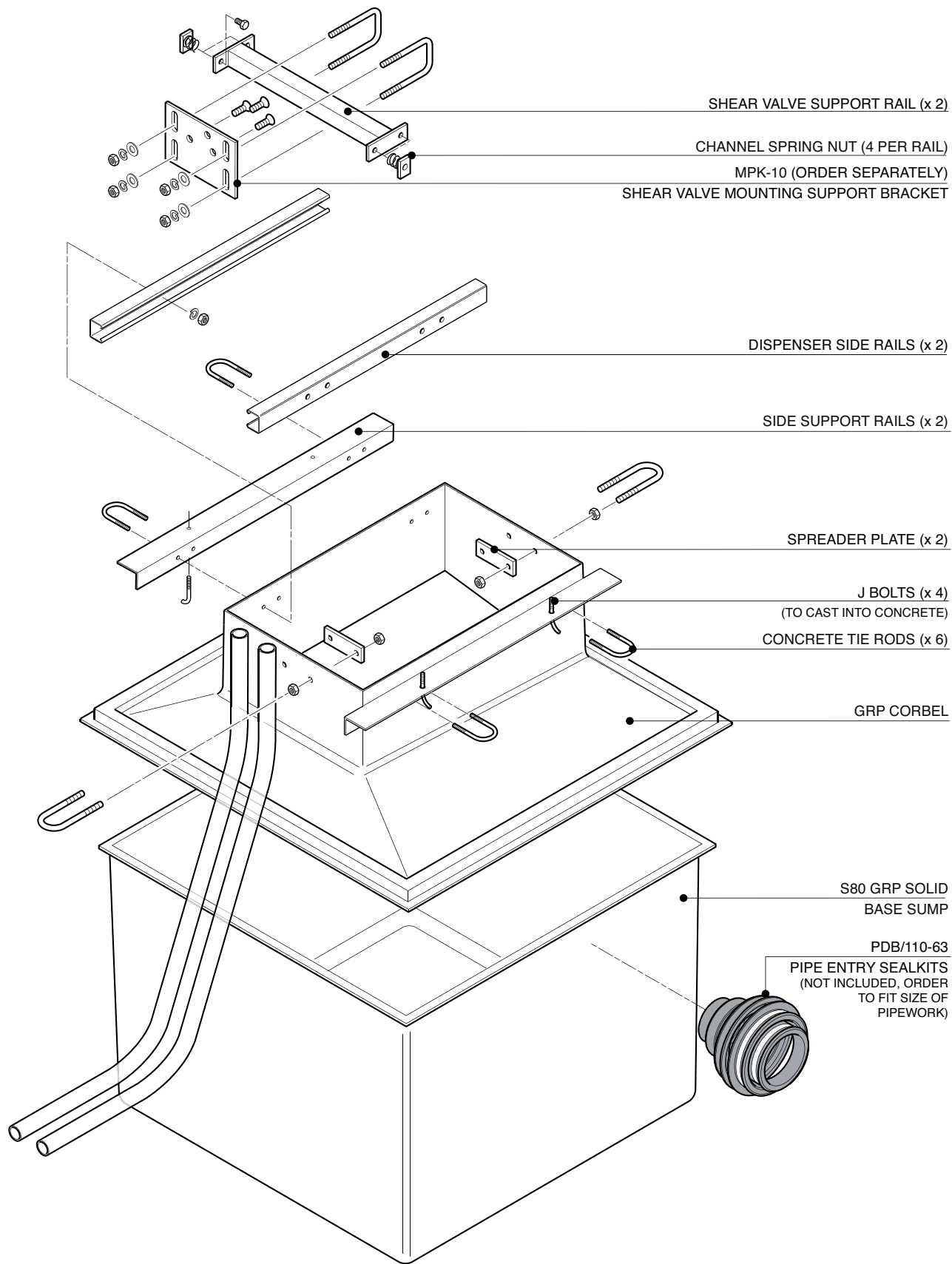


Two Grade Illustration

862mm x 862mm GRP solid base sump and corbel to fit Wayne Global Century 62200 model. Includes dispenser support rails, 2 shear valve rails and all fixings.

For reference purposes only. This drawing is not a specification. Order against product code only. To enable continuous improvement of our products, the designs and specifications are subject to change without notice.

FIBRELITE 
PART OF OPW A DOVER COMPANY



SHEAR VALVE SUPPORT RAIL (x 2)

CHANNEL SPRING NUT (4 PER RAIL)

MPK-10 (ORDER SEPARATELY)
SHEAR VALVE MOUNTING SUPPORT BRACKET

DISPENSER SIDE RAILS (x 2)

SIDE SUPPORT RAILS (x 2)

SPREADER PLATE (x 2)

J BOLTS (x 4)
(TO CAST INTO CONCRETE)

CONCRETE TIE RODS (x 6)

GRP CORBEL

S80 GRP SOLID
BASE SUMP

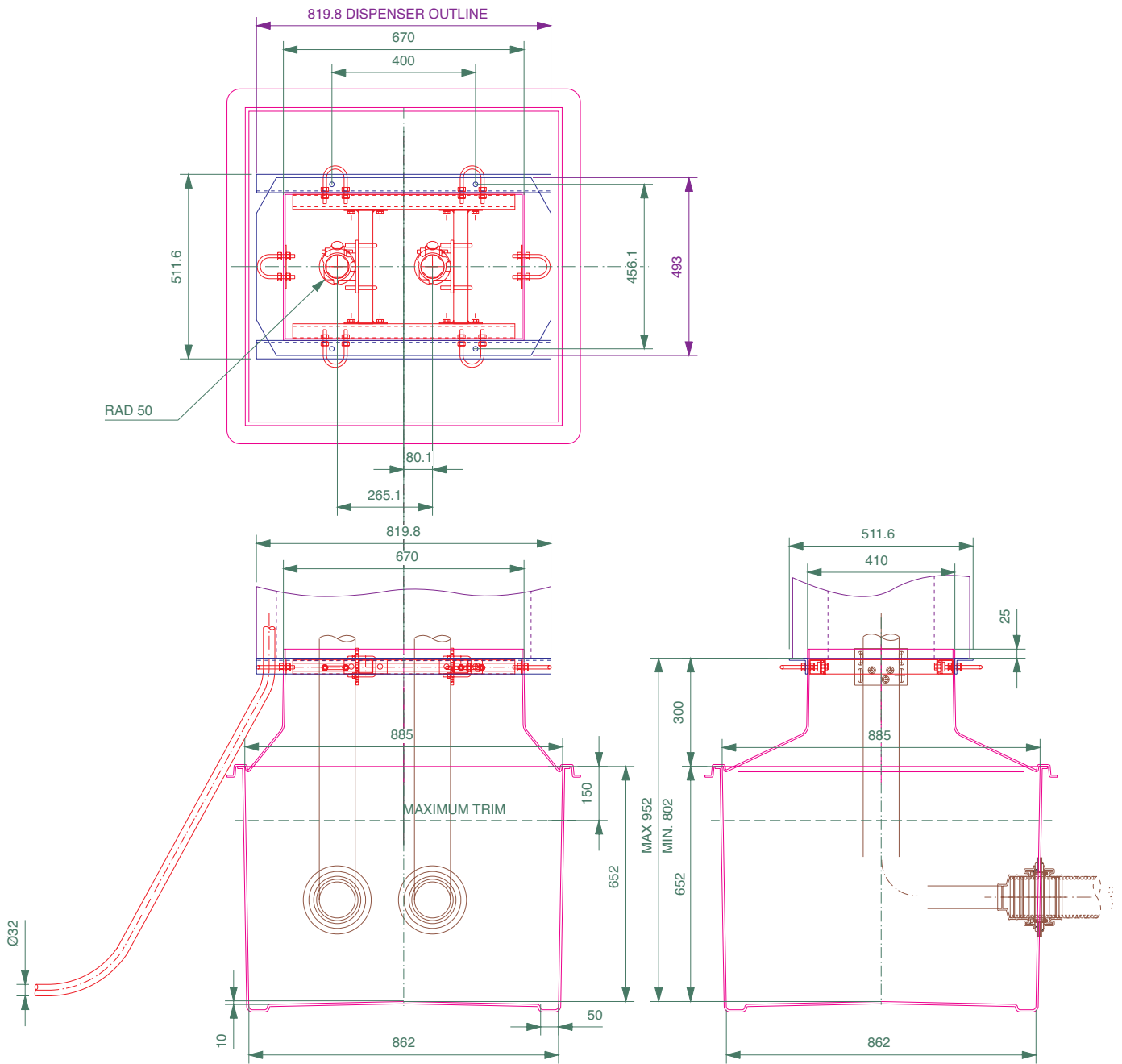
PDB/110-63
PIPE ENTRY SEALKITS
(NOT INCLUDED, ORDER
TO FIT SIZE OF
PIPEWORK)

862mm x 862mm GRP solid base sump and corbel to fit Wayne Global Century 62200 model. Includes dispenser support rails, 2 shear valve rails and all fixings.

For reference purposes only. This drawing is not a specification. Order against product code only. To enable continuous improvement of our products, the designs and specifications are subject to change without notice.



PART OF OPW A DOVER COMPANY



862mm x 862mm GRP solid base sump and corbel to fit Wayne Global Century 62200 model. Includes dispenser support rails, 2 shear valve rails and all fixings.

For reference purposes only. This drawing is not a specification. Order against product code only. To enable continuous improvement of our products, the designs and specifications are subject to change without notice.

FIBRELITE 
PART OF OPW A DOVER COMPANY