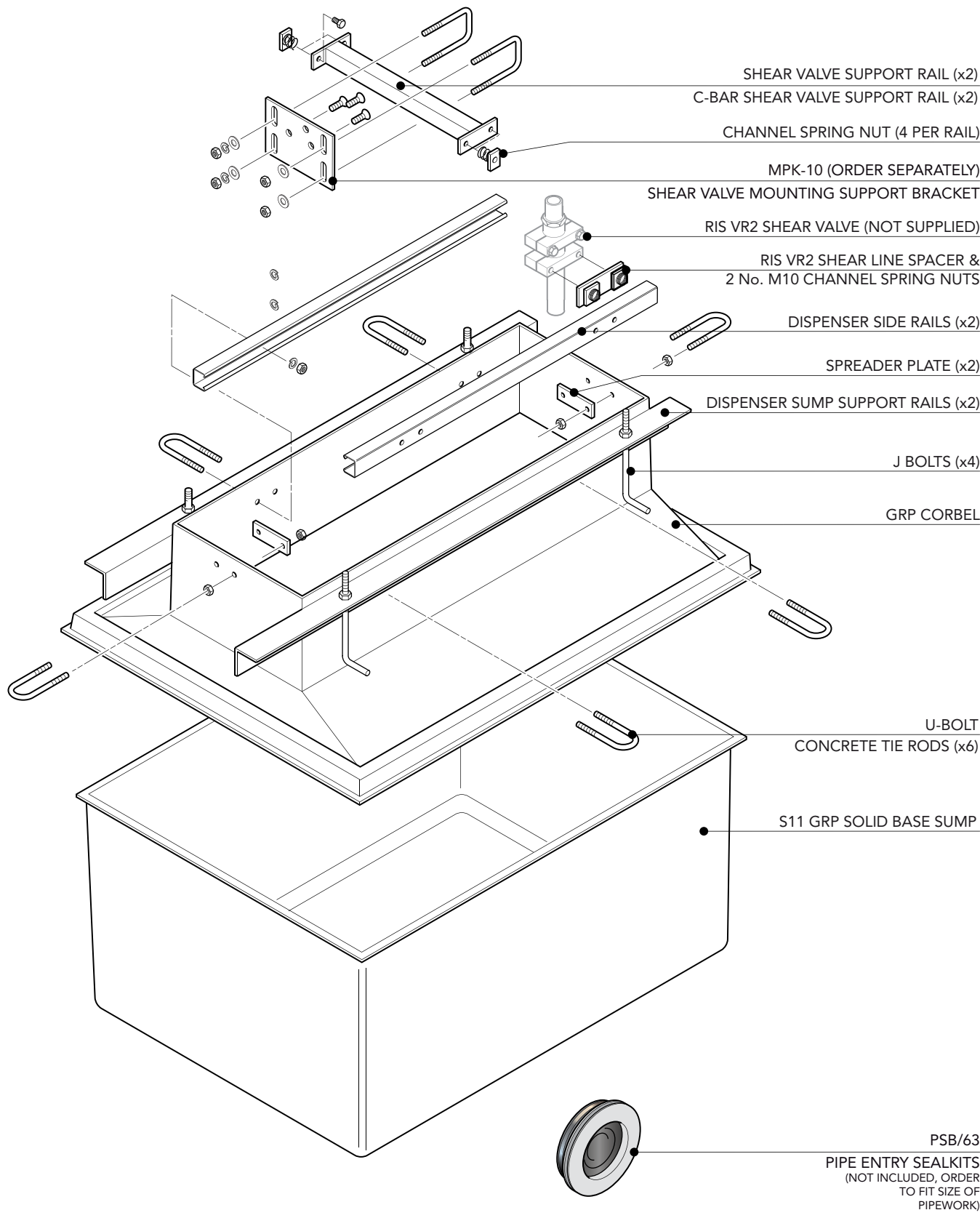


## Four Grade Illustration

862mm x 862mm GRP solid base sump and corbel. Includes metal work.

For reference purposes only. This drawing is not a specification. Order against product code only. To enable continuous improvement of our products, the designs and specifications are subject to change without notice.

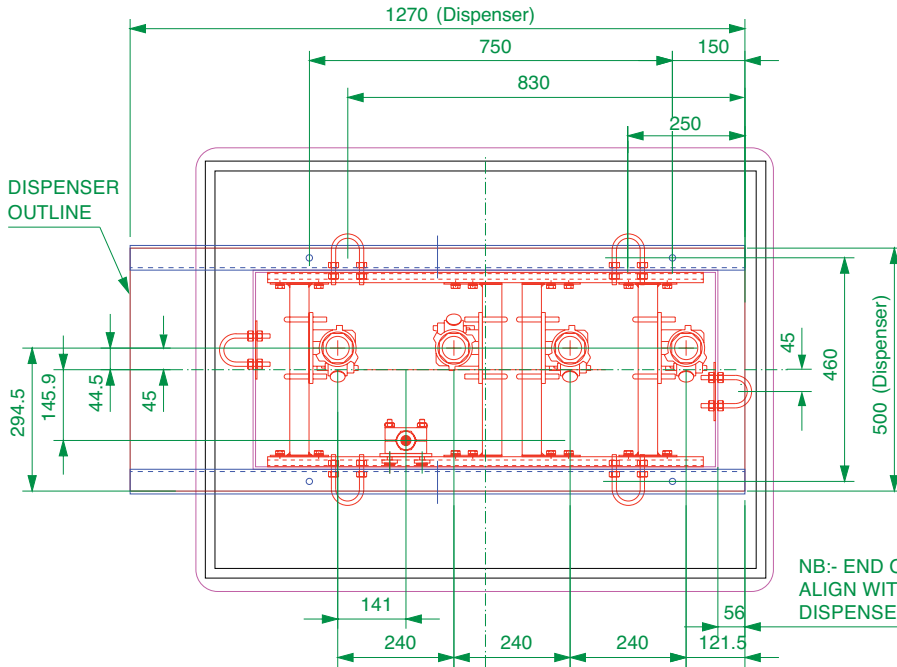
**FIBRELITE**   
PART OF OPW A DOVER COMPANY



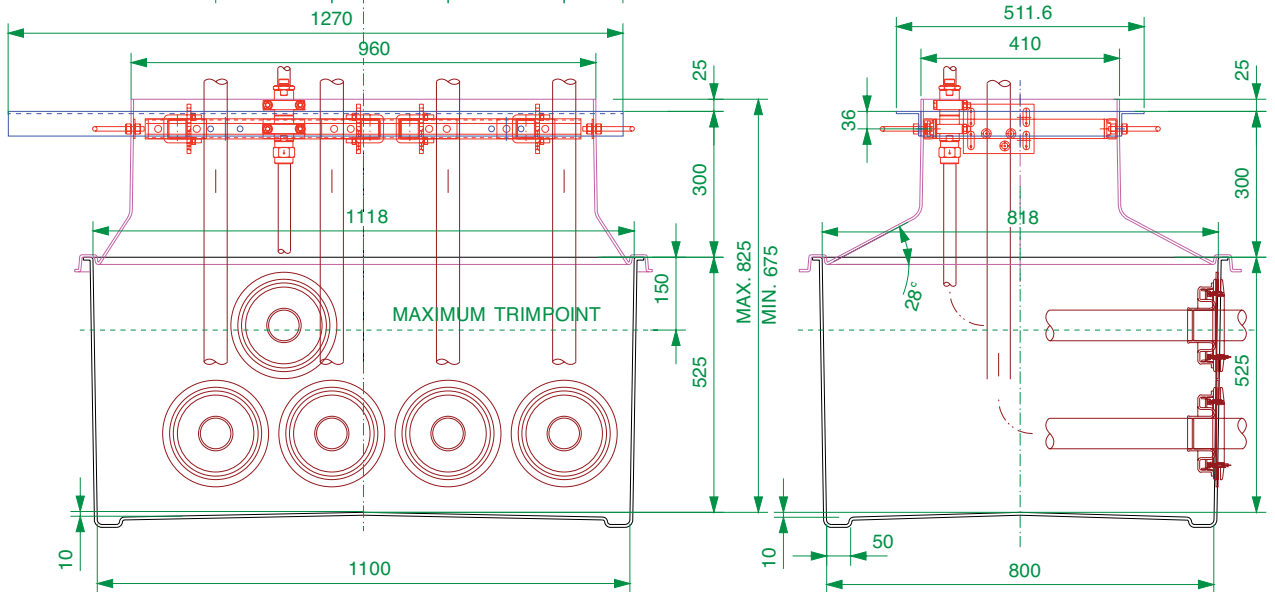
862mm x 862mm GRP solid base sump and corbel. Includes metal work.

For reference purposes only. This drawing is not a specification. Order against product code only. To enable continuous improvement of our products, the designs and specifications are subject to change without notice.

**FIBRELITE**   
PART OF OPW A DOWDER COMPANY



NB:- END OF DISPENSER MUST ALIGN WITH THE END OF THE DISPENSER SUMP SUPPORT RAILS



862mm x 862mm GRP solid base sump and corbel. Includes metal work.

For reference purposes only. This drawing is not a specification. Order against product code only. To enable continuous improvement of our products, the designs and specifications are subject to change without notice.

**FIBRELITE**   
PART OF OPW A DOWDER COMPANY