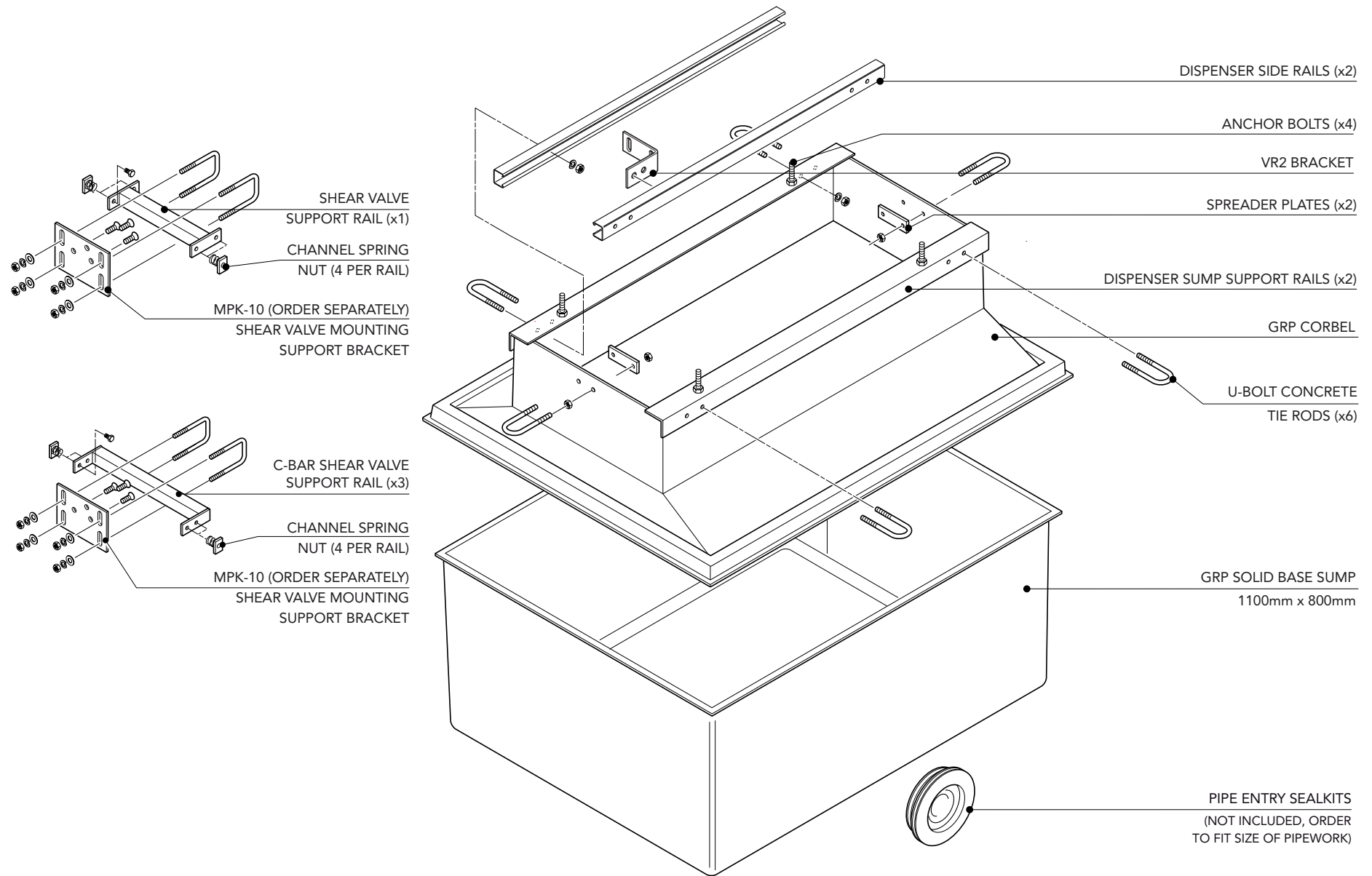


1100mm x 800mm GRP solid base sump and corbel to fit Helix 5000 4-8 pressure dispenser. Includes dispenser support rails, shear valve rails and all fixings.

For reference purposes only. This drawing is not a specification. Order against product code only. To enable continuous improvement of our products, the designs and specifications are subject to change without notice.

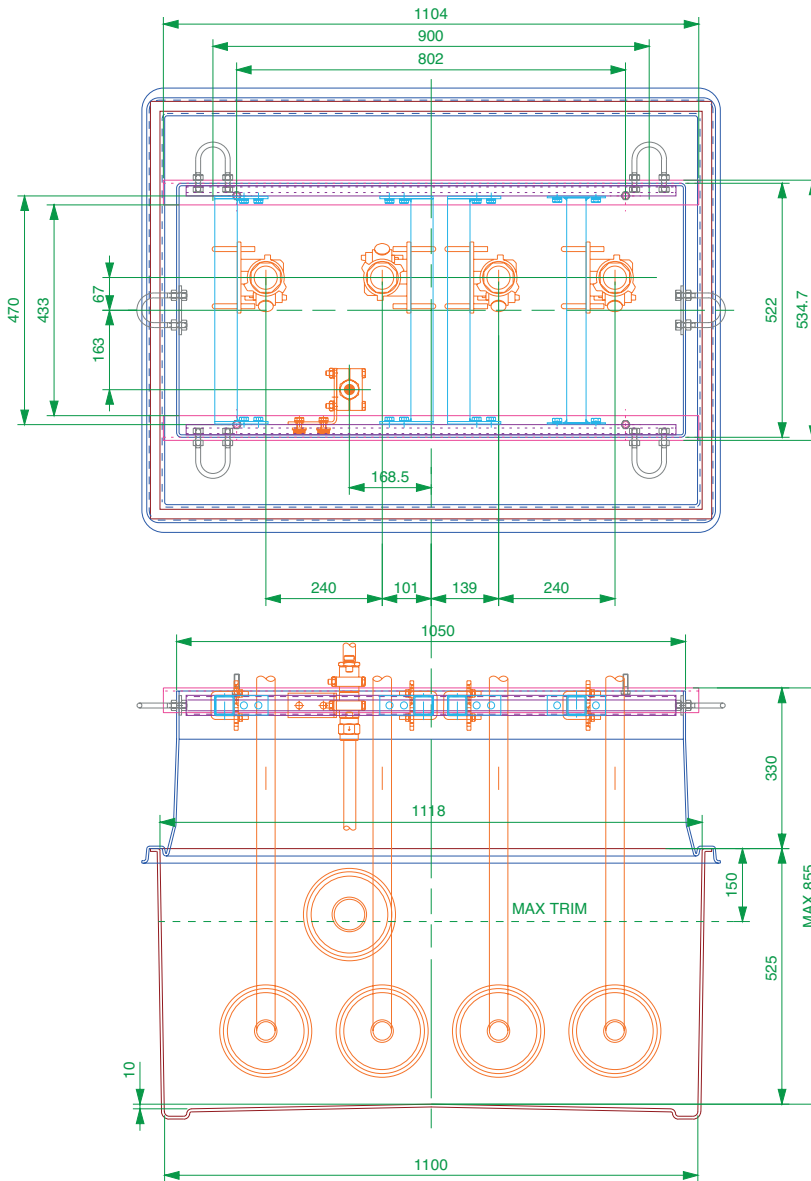
**FIBRELITE**   
PART OF OPW A  DOVER COMPANY



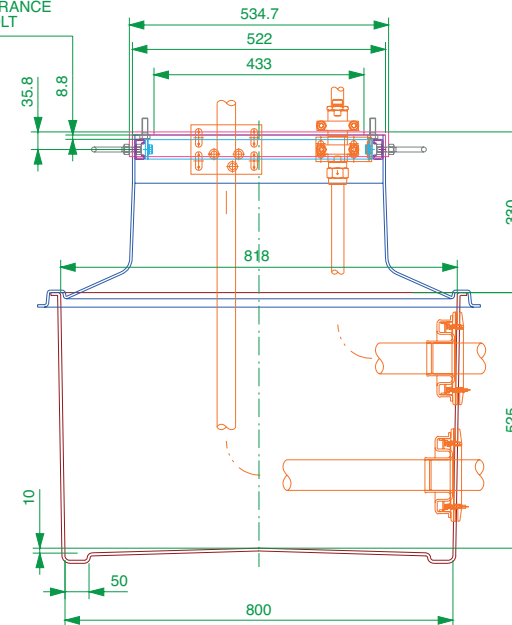
1100mm x 800mm GRP solid base sump and corbel to fit Helix 5000 4-8 pressure dispenser. Includes dispenser support rails, shear valve rails and all fixings.

For reference purposes only. This drawing is not a specification. Order against product code only. To enable continuous improvement of our products, the designs and specifications are subject to change without notice.





NOTE: CLEARANCE FOR M12 BOLT



1100mm x 800mm GRP solid base sump and corbel to fit Helix 5000 4-8 pressure dispenser. Includes dispenser support rails, shear valve rails and all fixings.

For reference purposes only. This drawing is not a specification. Order against product code only. To enable continuous improvement of our products, the designs and specifications are subject to change without notice.

