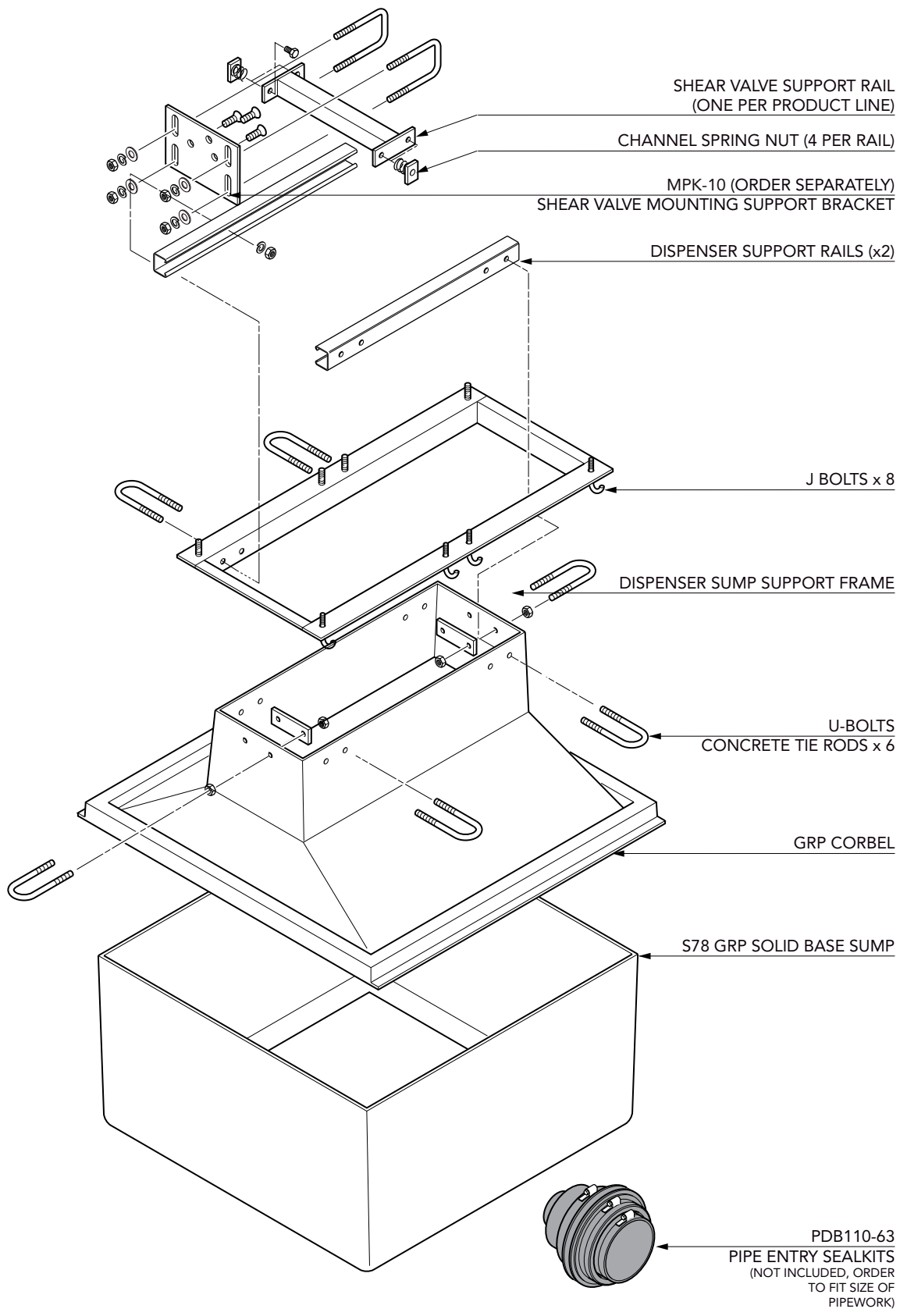


780mm x 780mm GRP solid base sump and corbel for Wayne SAT II Satellite Column.

For reference purposes only. This drawing is not a specification. Order against product code only. To enable continuous improvement of our products, the designs and specifications are subject to change without notice.

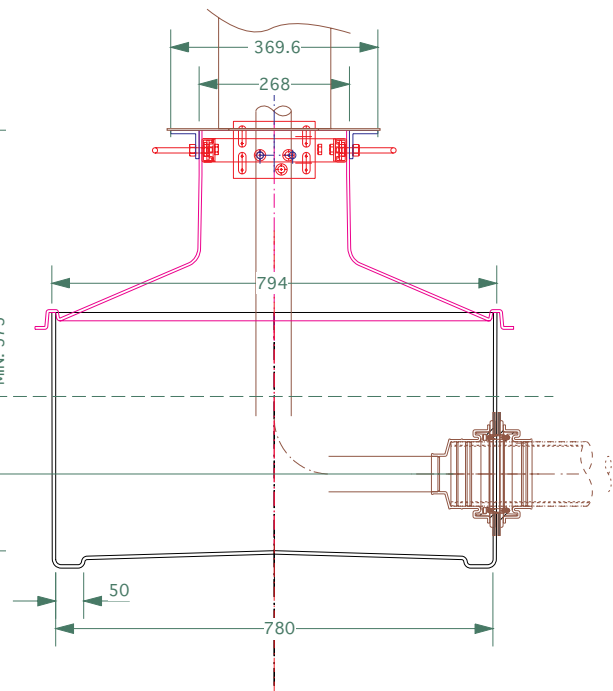
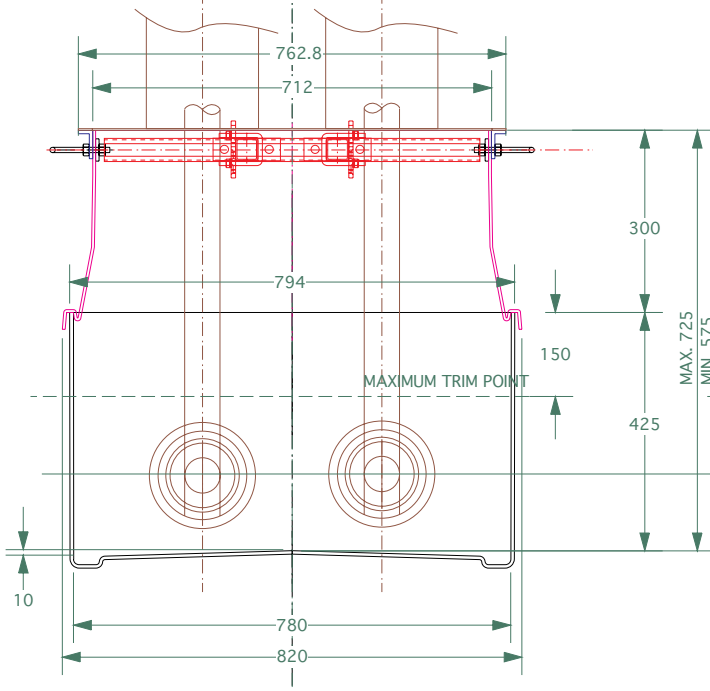
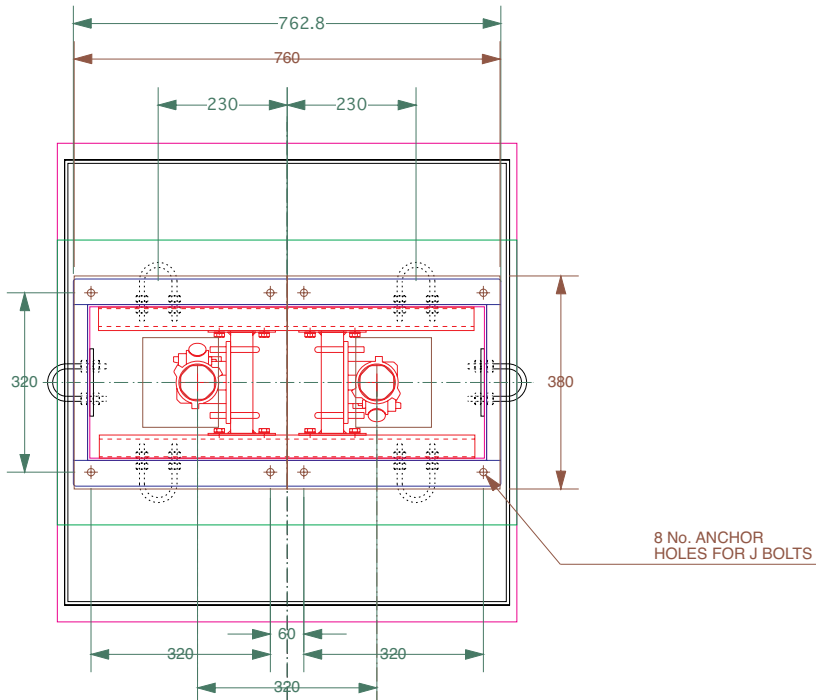
FIBRELITE 
PART OF OPW A DOVER COMPANY



780mm x 780mm GRP solid base sump and corbel for Wayne SAT II Satellite Column.

For reference purposes only. This drawing is not a specification. Order against product code only. To enable continuous improvement of our products, the designs and specifications are subject to change without notice.

FIBRELITE 
PART OF OPW A DOWDER COMPANY



780mm x 780mm GRP solid base sump and corbel for Wayne SAT II Satellite Column.

For reference purposes only. This drawing is not a specification. Order against product code only. To enable continuous improvement of our products, the designs and specifications are subject to change without notice.

FIBRELITE 
PART OF OPW A DOVER COMPANY