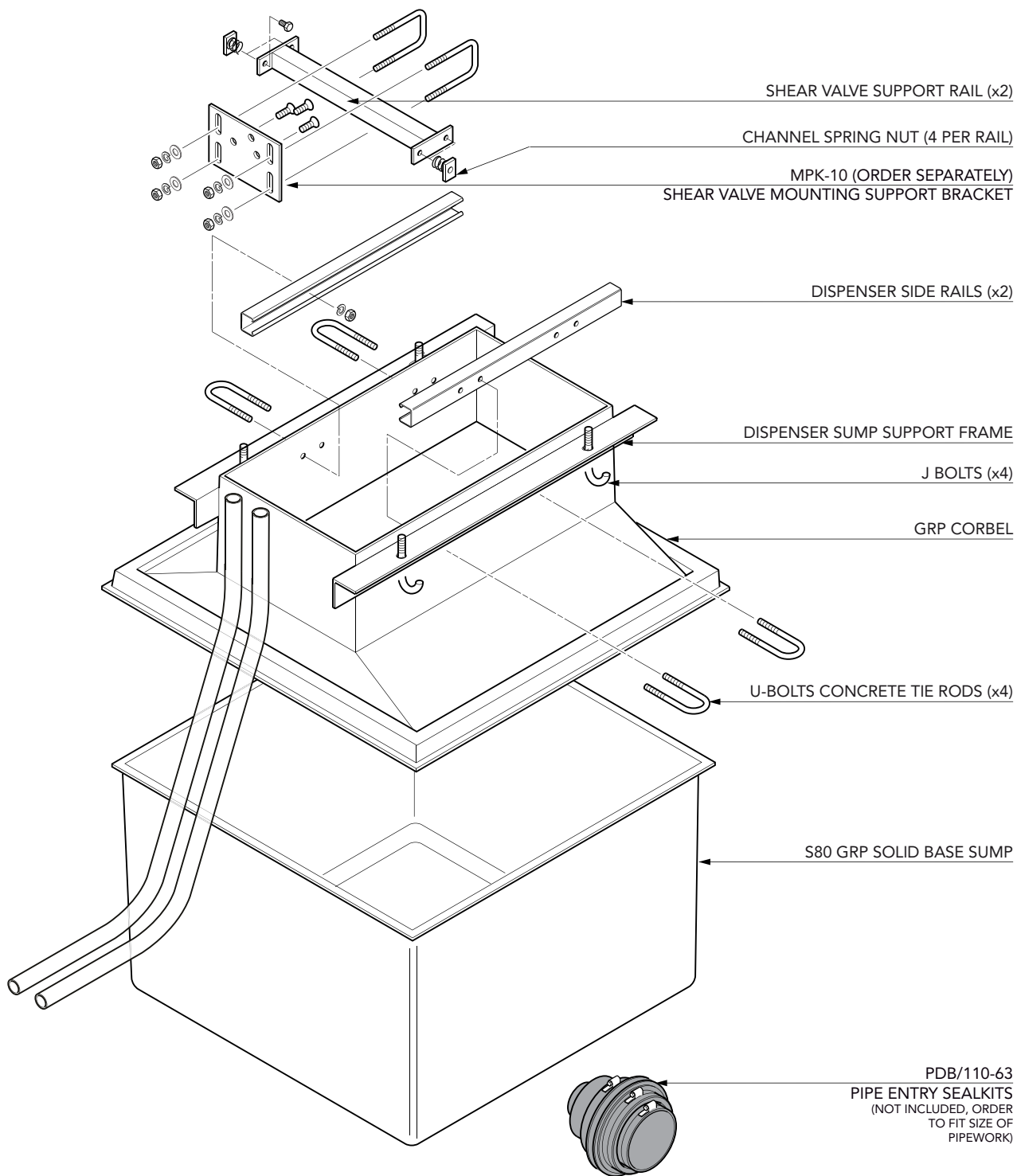


862mm x 862mm GRP solid base sump and corbel to fit Wayne Vista 387 model.
Includes metalwork.

For reference purposes only. This drawing is not a specification. Order against product code only. To enable continuous improvement of our products, the designs and specifications are subject to change without notice.

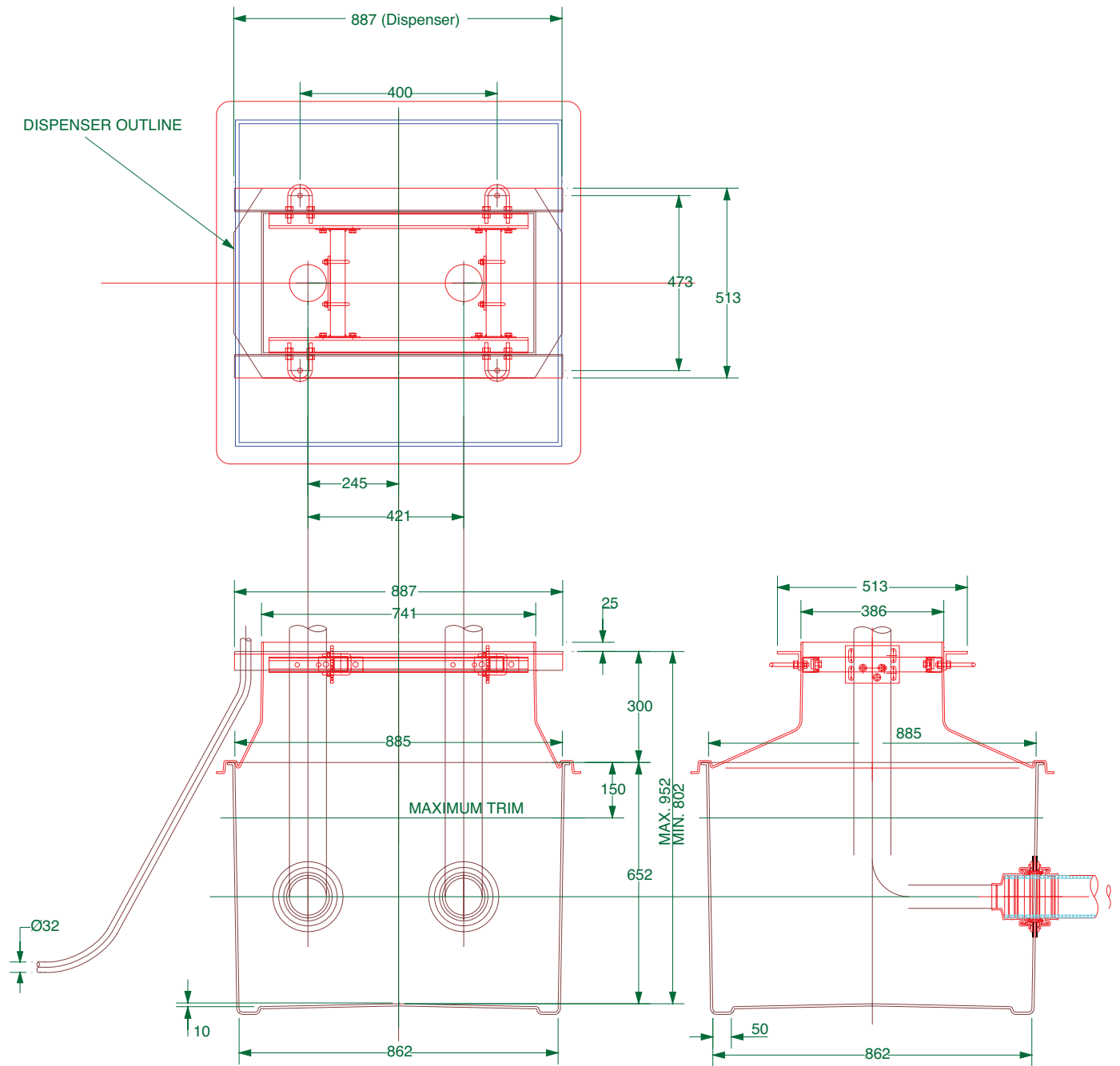
FIBRELITE 
PART OF OPW A DOVER COMPANY



862mm x 862mm GRP solid base sump and corbel to fit Wayne Vista 387 model.
Includes metalwork.

For reference purposes only. This drawing is not a specification. Order against product code only. To enable continuous improvement of our products, the designs and specifications are subject to change without notice.

FIBRELITE 
PART OF OPW A DOWDER COMPANY



862mm x 862mm GRP solid base sump and corbel to fit Wayne Vista 387 model.
Includes metalwork.

For reference purposes only. This drawing is not a specification. Order against product code only. To enable continuous improvement of our products, the designs and specifications are subject to change without notice.

FIBRELITE 
PART OF OPW A DOVER COMPANY