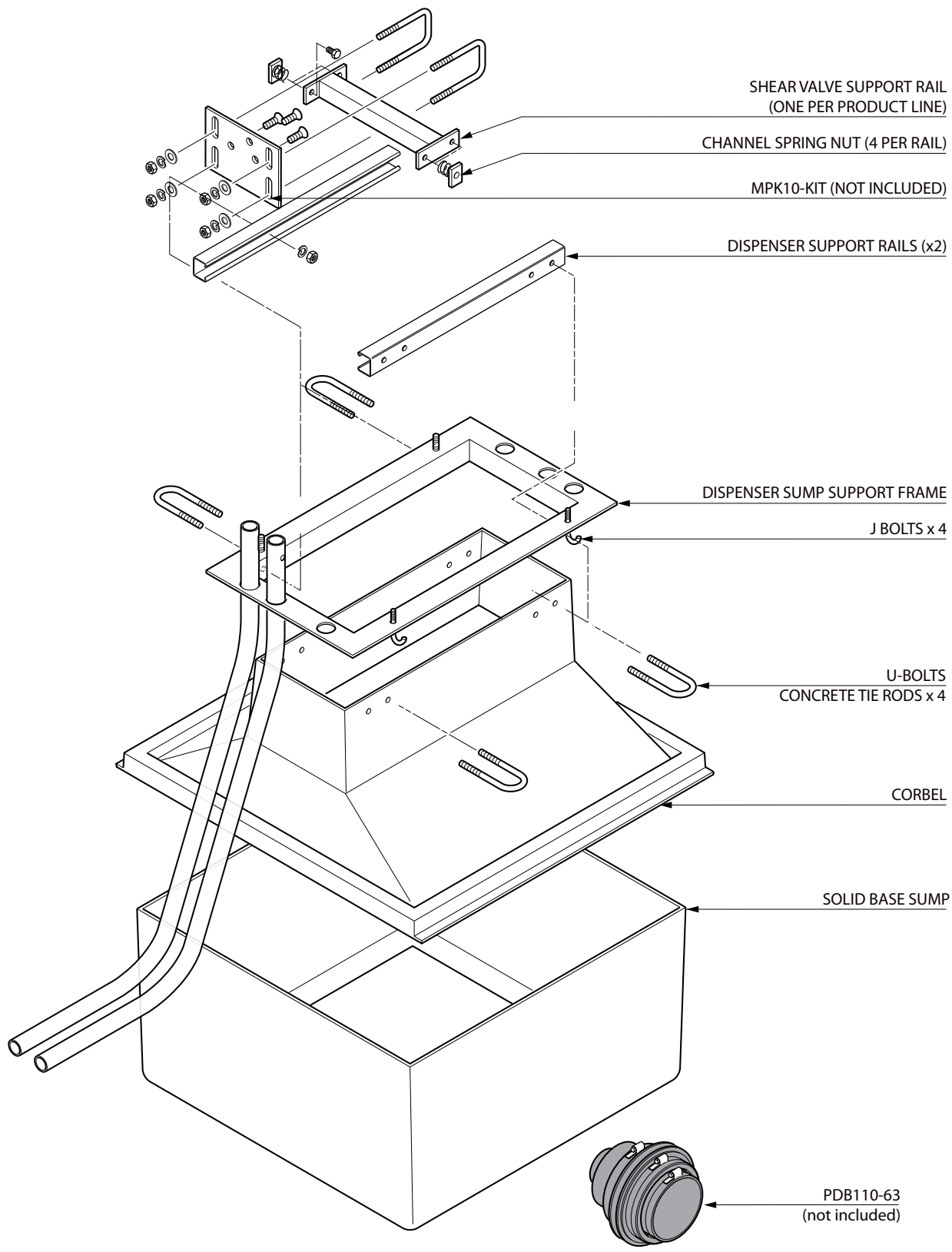


780mm x 780mm GRP solid base sump and corbel to fit Wayne Vista dispenser models with a narrow 35° body. Designed to fit between double canopy columns. Includes 2 dispenser support rails, 4 J bolts, 2 shear valve rails and 4 U bolts.

For reference purposes only. This drawing is not a specification. Order against product code only. To enable continuous improvement of our products, the designs and specifications are subject to change without notice.

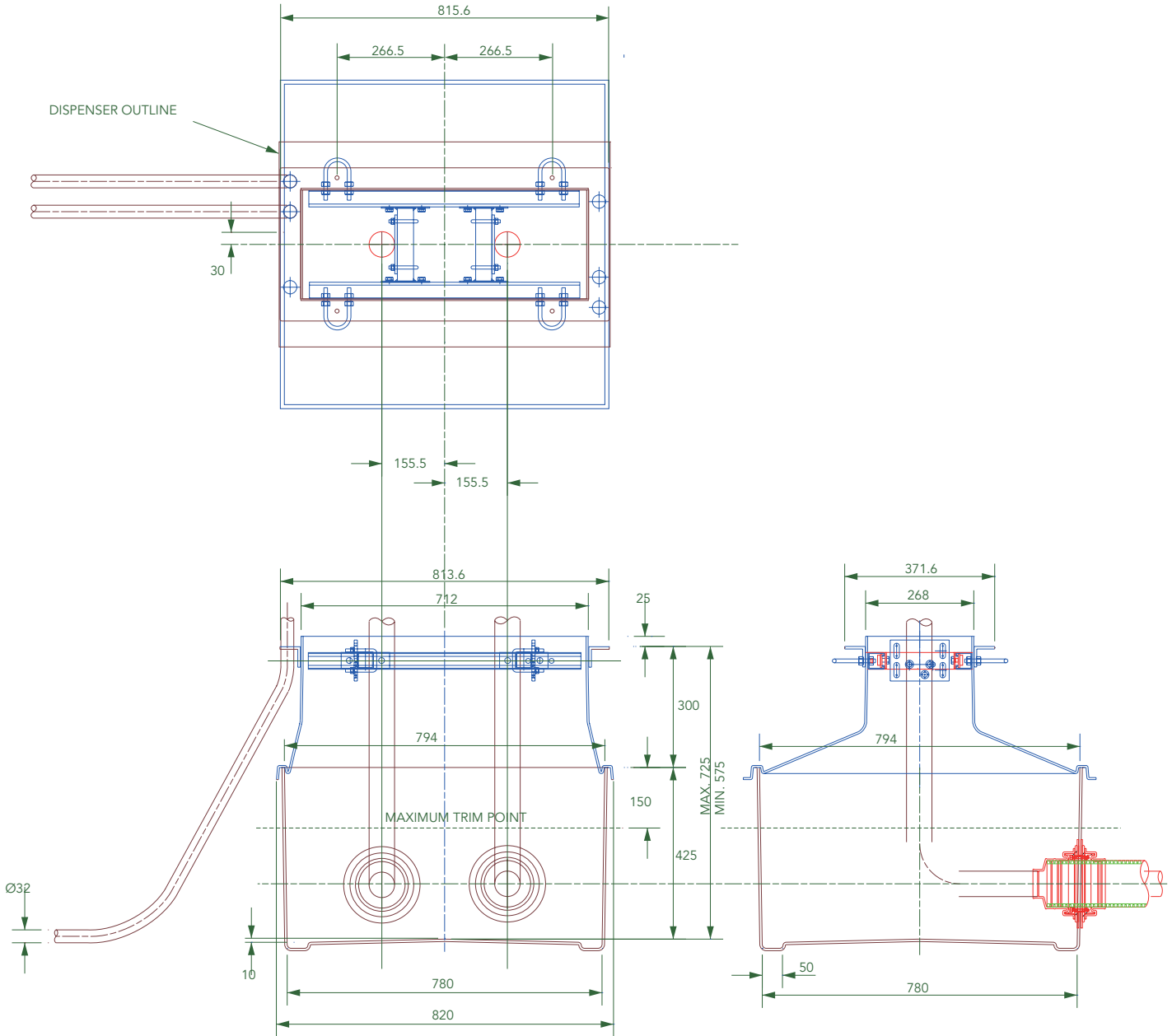
FIBRELITE 
PART OF OPW A DOVER COMPANY



780mm x 780mm GRP solid base sump and corbel to fit Wayne Vista dispenser models with a narrow 35" body. Designed to fit between double canopy columns. Includes 2 dispenser support rails, 4 J bolts, 2 shear valve rails and 4 U bolts.

For reference purposes only. This drawing is not a specification. Order against product code only. To enable continuous improvement of our products, the designs and specifications are subject to change without notice.





780mm x 780mm GRP solid base sump and corbel to fit Wayne Vista dispenser models with a narrow 35° body. Designed to fit between double canopy columns. Includes 2 dispenser support rails, 4 J bolts, 2 shear valve rails and 4 U bolts.

For reference purposes only. This drawing is not a specification. Order against product code only. To enable continuous improvement of our products, the designs and specifications are subject to change without notice.

