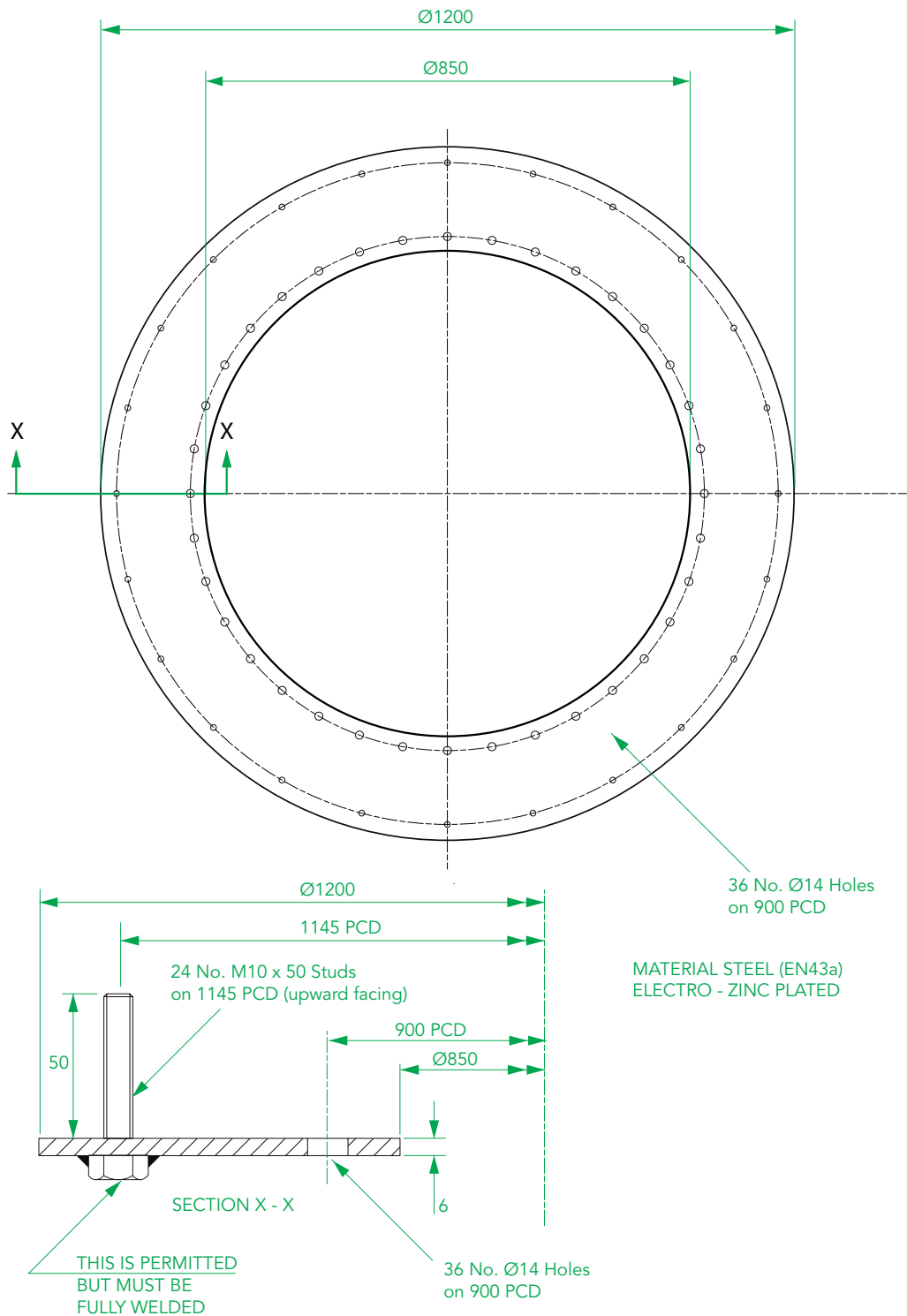


Steel adaptor plate to connect an S14 chamber to a round tank upstand (900mm PCD x 36 holes x 12mm dia)
Includes a gasket.

For reference purposes only. This drawing is not a specification. Order against product code only. To enable continuous improvement of our products, the designs and specifications are subject to change without notice.

FIBRELITE 
PART OF OPW A DOVER COMPANY



Steel adaptor plate to connect an S14 chamber to a round tank upstand (900mm PCD x 36 holes x 12mm dia)
Includes a gasket.

For reference purposes only. This drawing is not a specification. Order against product code only. To enable continuous improvement of our products, the designs and specifications are subject to change without notice.

FIBRELITE 
PART OF OPW A DOVER COMPANY