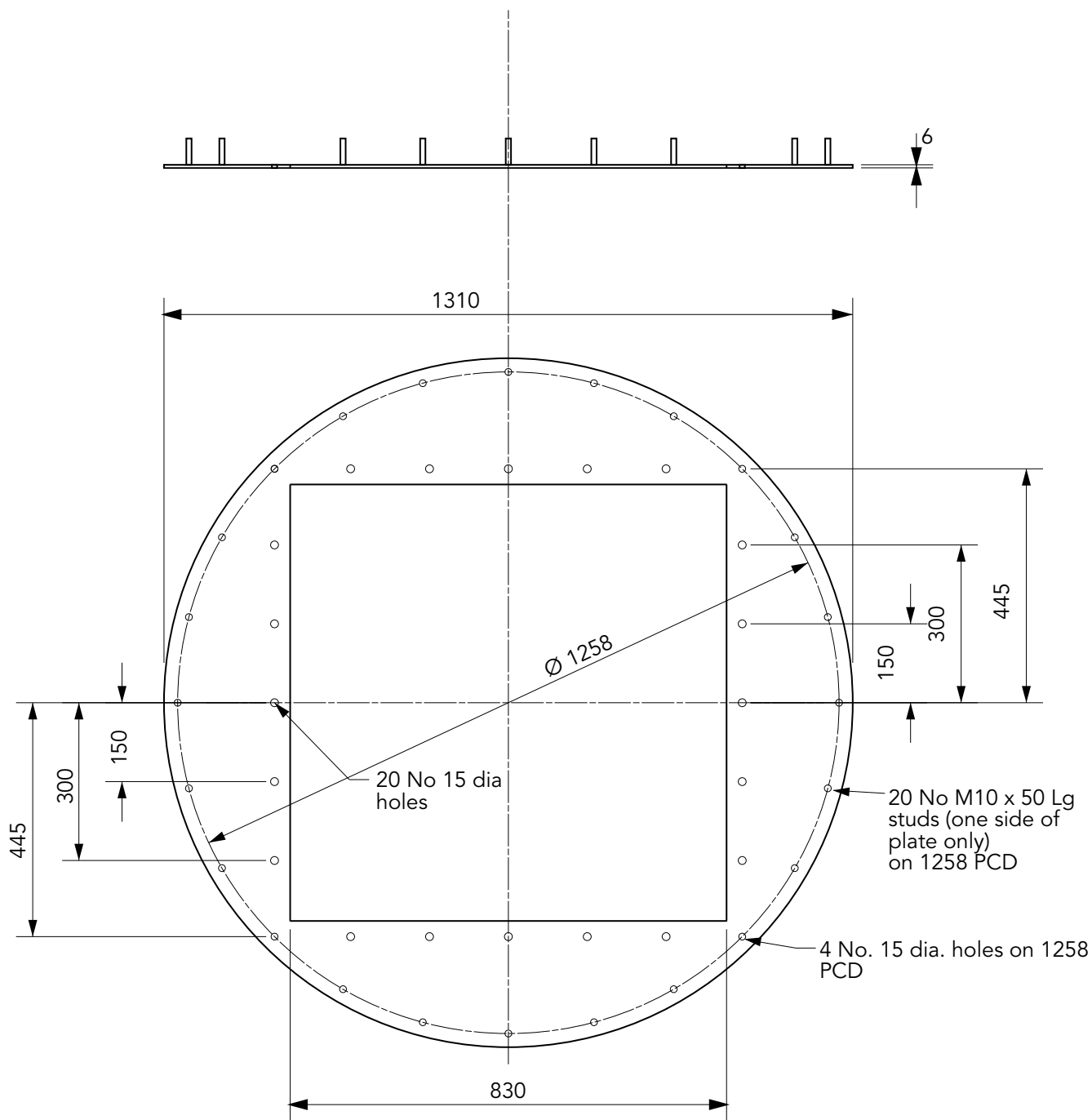


Adaptor plate to connect a S14 chamber to a 1m2 tank upstand.

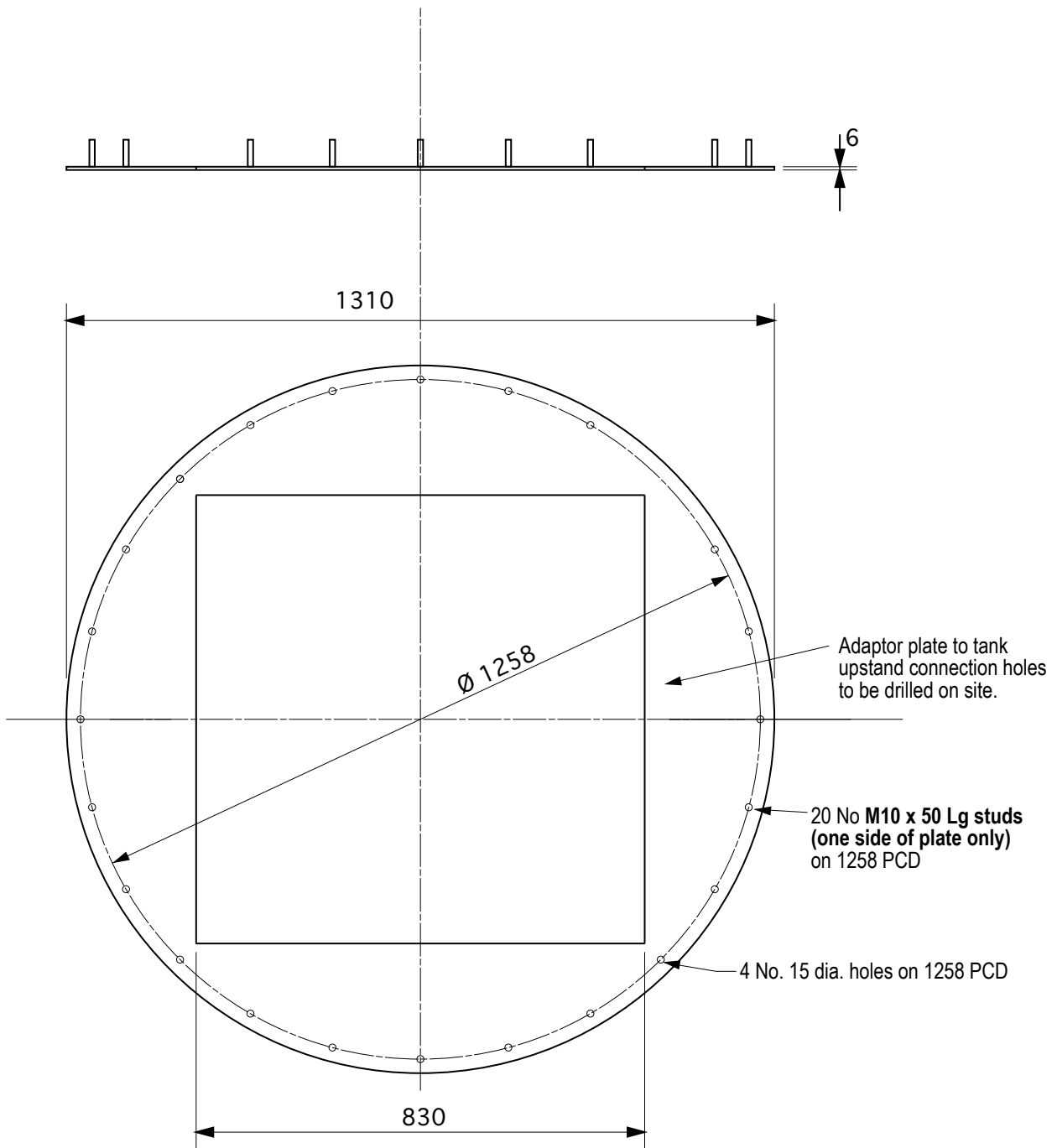
For reference purposes only. This drawing is not a specification. Order against product code only. To enable continuous improvement of our products, the designs and specifications are subject to change without notice.

FIBRELITE 
PART OF OPW A DOVER COMPANY



6 mm mild steel plate Galvanized

To connect the S14 chamber to a UK spec. square tank upstand



6 mm mild steel plate Galvanized

To connect the S14 chamber to a Begium spec. square tank upstand