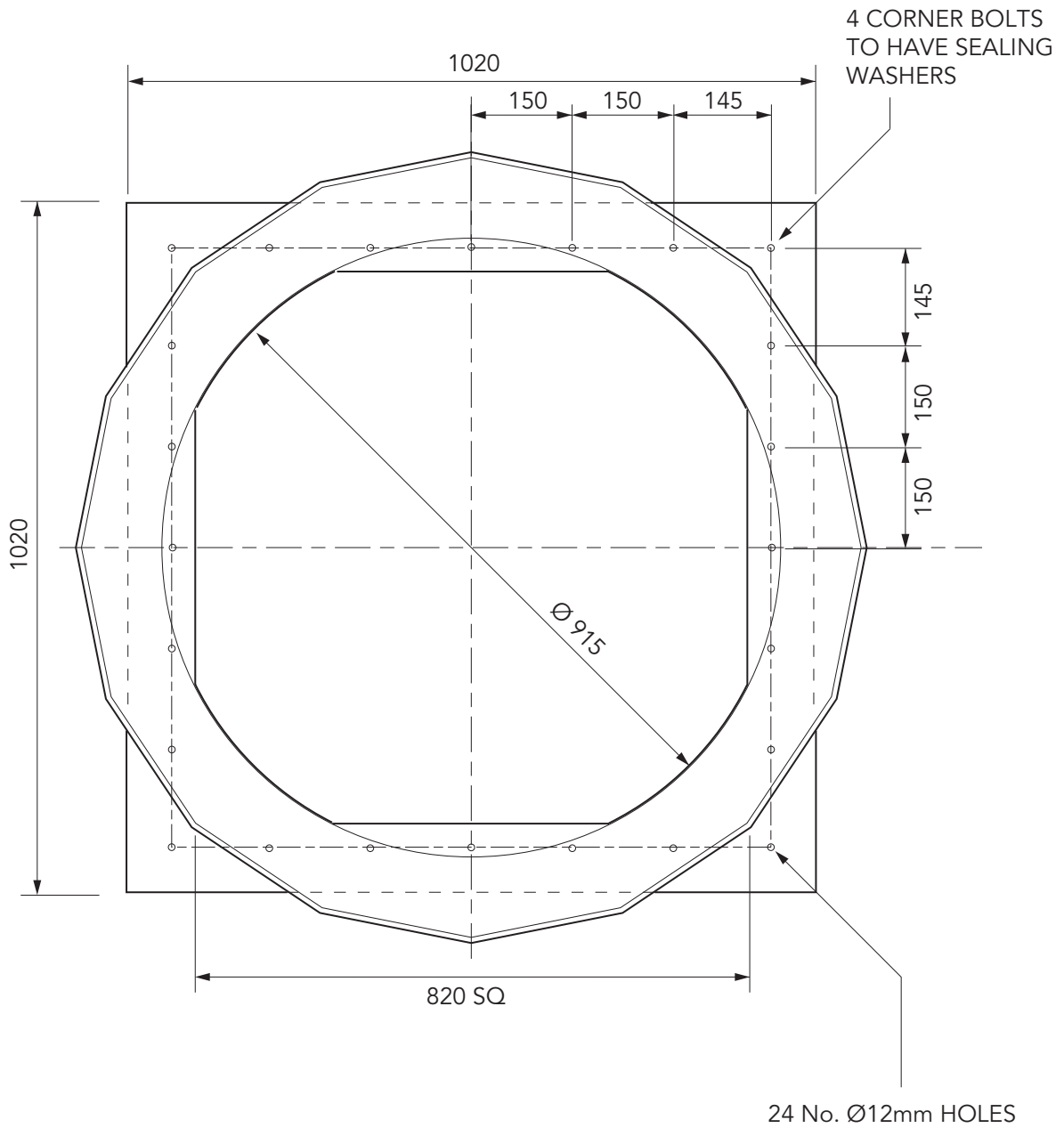


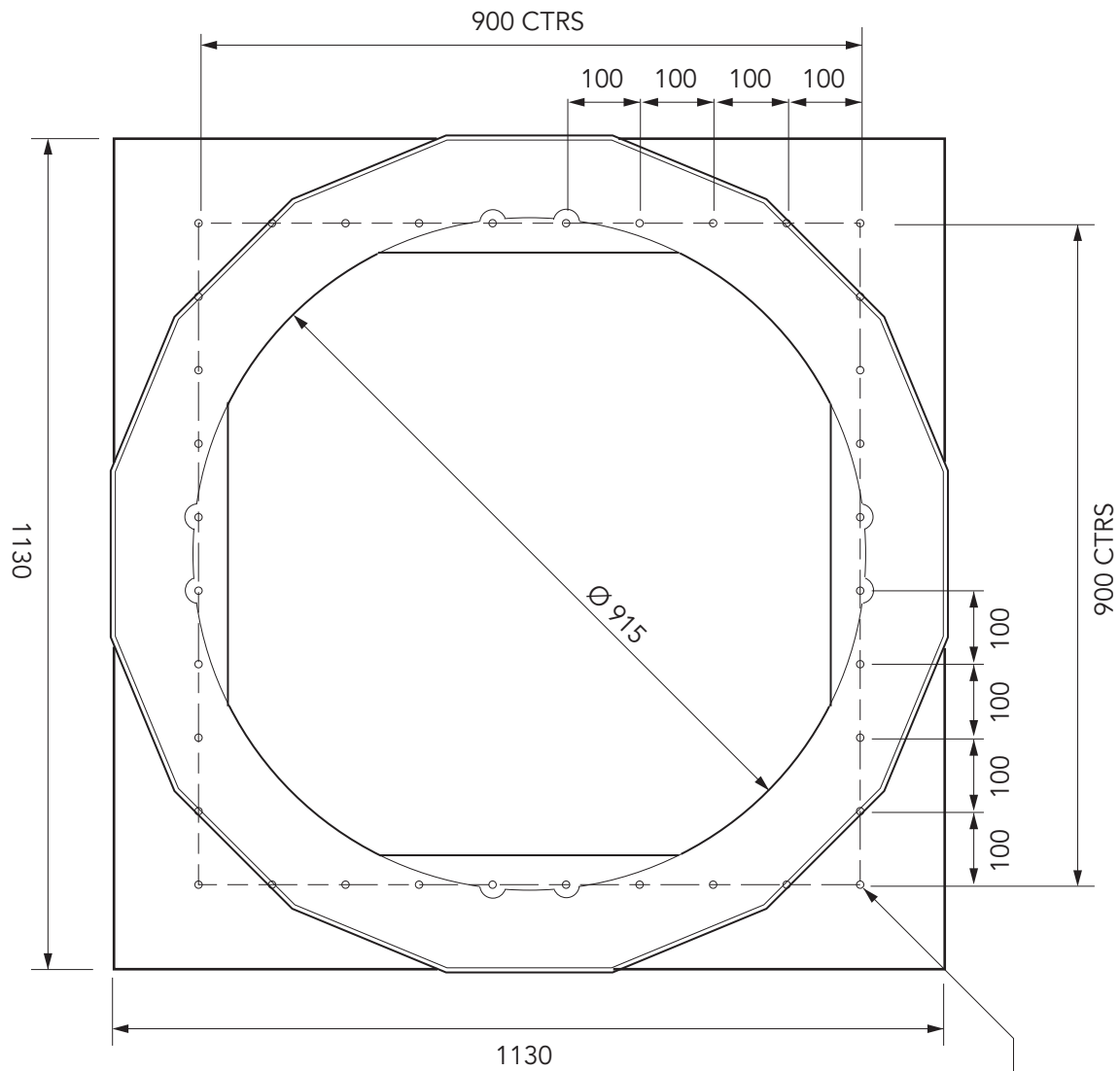
GRP adaptor plate to fit the S8 chamber to a square tank upstand.

For reference purposes only. This drawing is not a specification. Order against product code only. To enable continuous improvement of our products, the designs and specifications are subject to change without notice.

**FIBRELITE**   
PART OF OPW A DOVER COMPANY



**Code: EMAS/S8/SQUK**  
 To connect the S8 chamber to a UK spec. square tank upstand



36 No. Ø12mm HOLES

**Code: EMAS/S8/SQBEL**

To connect the S8 chamber to a Belgium spec. square tank upstand