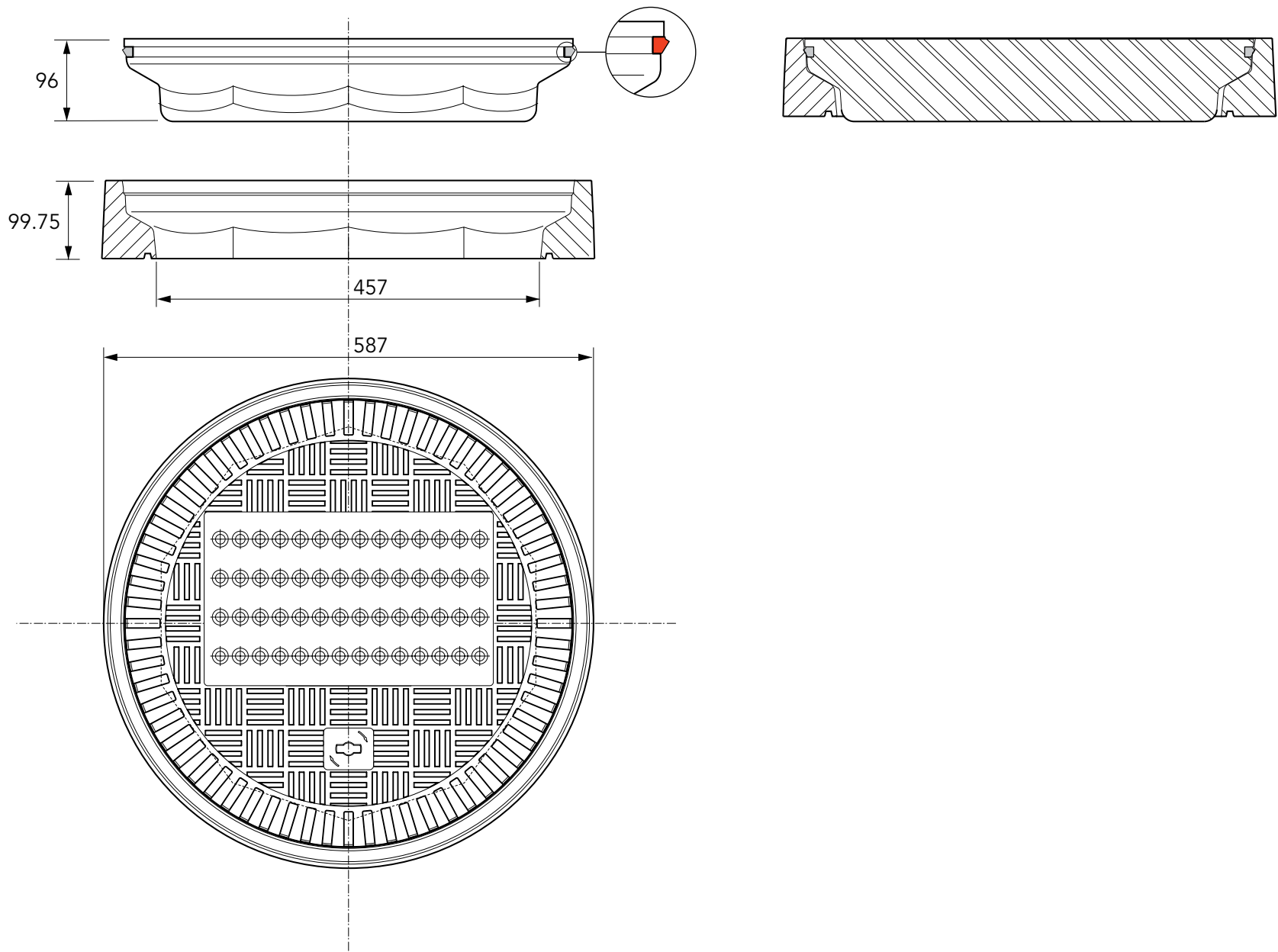


457mm diameter vented flat composite cover with a composite frame. Temperature and chemical resistant. Designed for steam applications.

For reference purposes only. This drawing is not a specification. Order against product code only. To enable continuous improvement of our products, the designs and specifications are subject to change without notice.

FIBRELITE 
PART OF OPW A  DOVER COMPANY

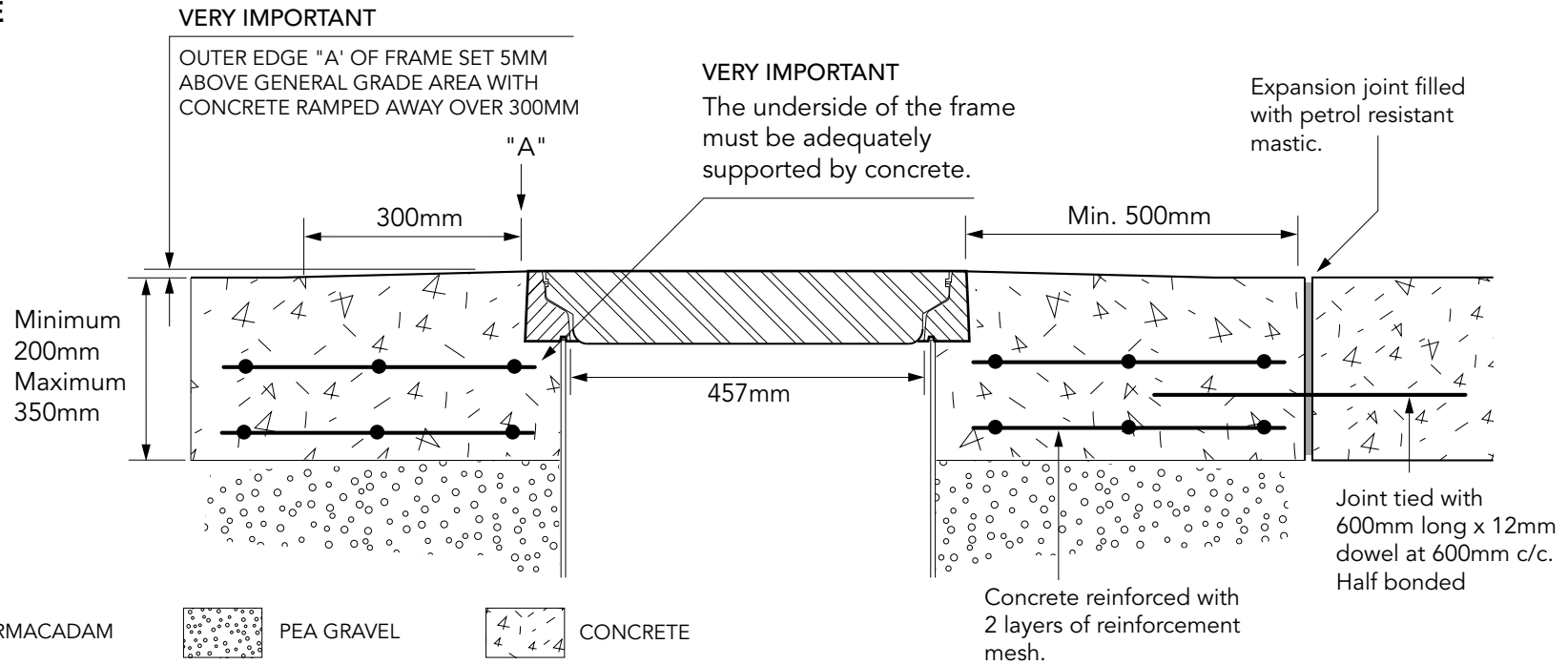


457mm diameter vented flat composite cover with a composite frame. Temperature and chemical resistant. Designed for steam applications.

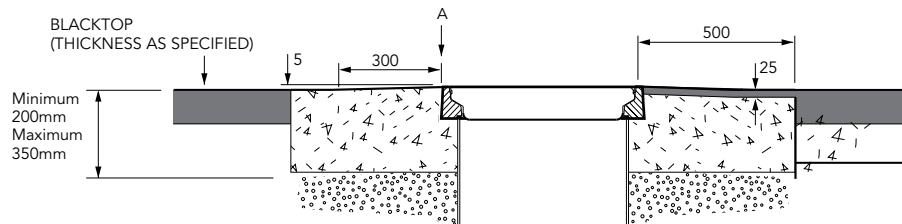
For reference purposes only. This drawing is not a specification. Order against product code only. To enable continuous improvement of our products, the designs and specifications are subject to change without notice.



CONCRETE



BLACKTOP



457mm diameter vented flat composite cover with a composite frame. Temperature and chemical resistant. Designed for steam applications.

For reference purposes only. This drawing is not a specification. Order against product code only. To enable continuous improvement of our products, the designs and specifications are subject to change without notice.

FIBRELITE 
PART OF OPW A DOVER COMPANY