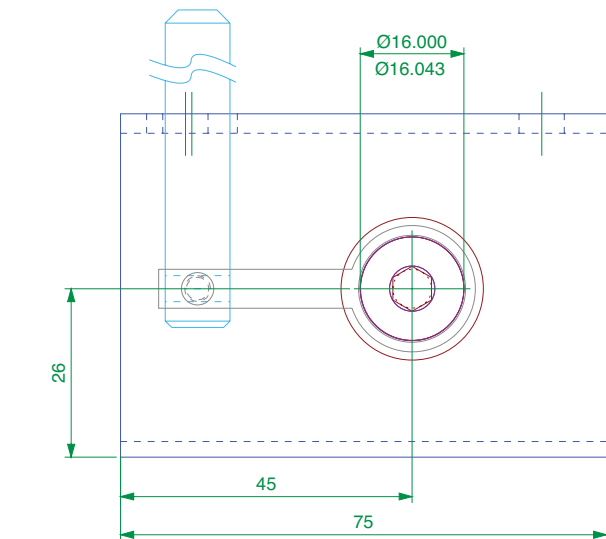
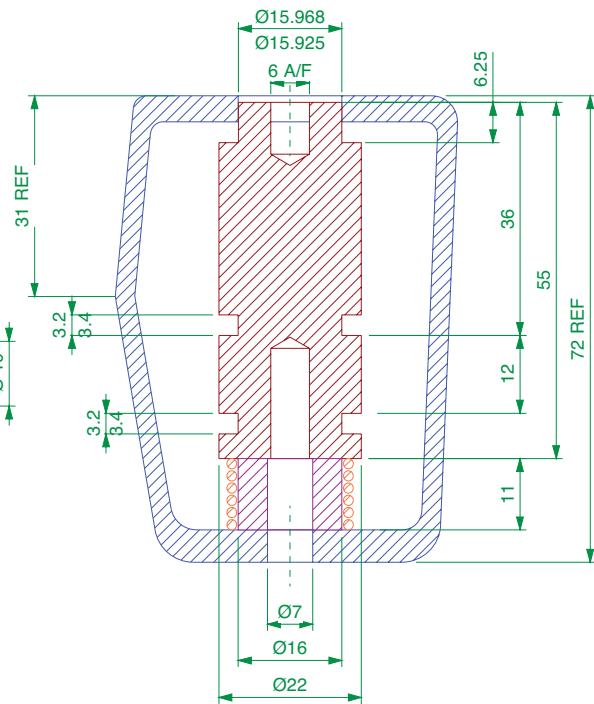
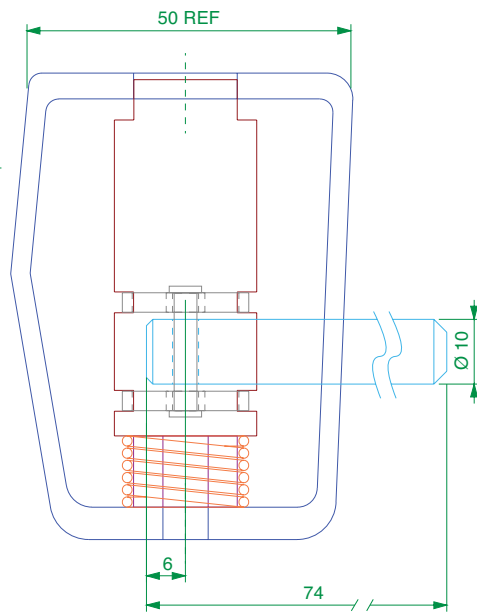
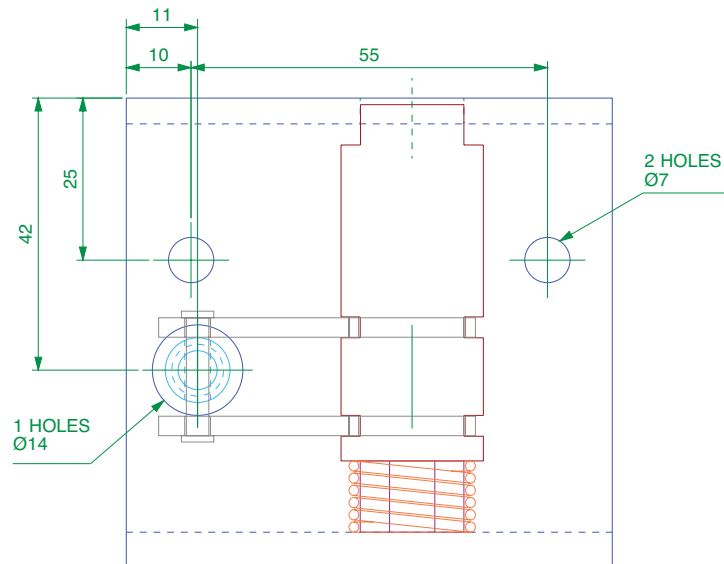


Captive lock down system for FL76, FL60, FL140, FL450, FL900 & FL96 cover & frame

For reference purposes only. This drawing is not a specification. Order against product code only. To enable continuous improvement of our products, the designs and specifications are subject to change without notice.

FIBRELITE 
PART OF OPW A DOVER COMPANY



Captive lock down system for FL76, FL60, FL140, FL450, FL900 & FL96 cover & frame

For reference purposes only. This drawing is not a specification. Order against product code only. To enable continuous improvement of our products, the designs and specifications are subject to change without notice.

FIBRELITE 
PART OF OPW A DOVER COMPANY