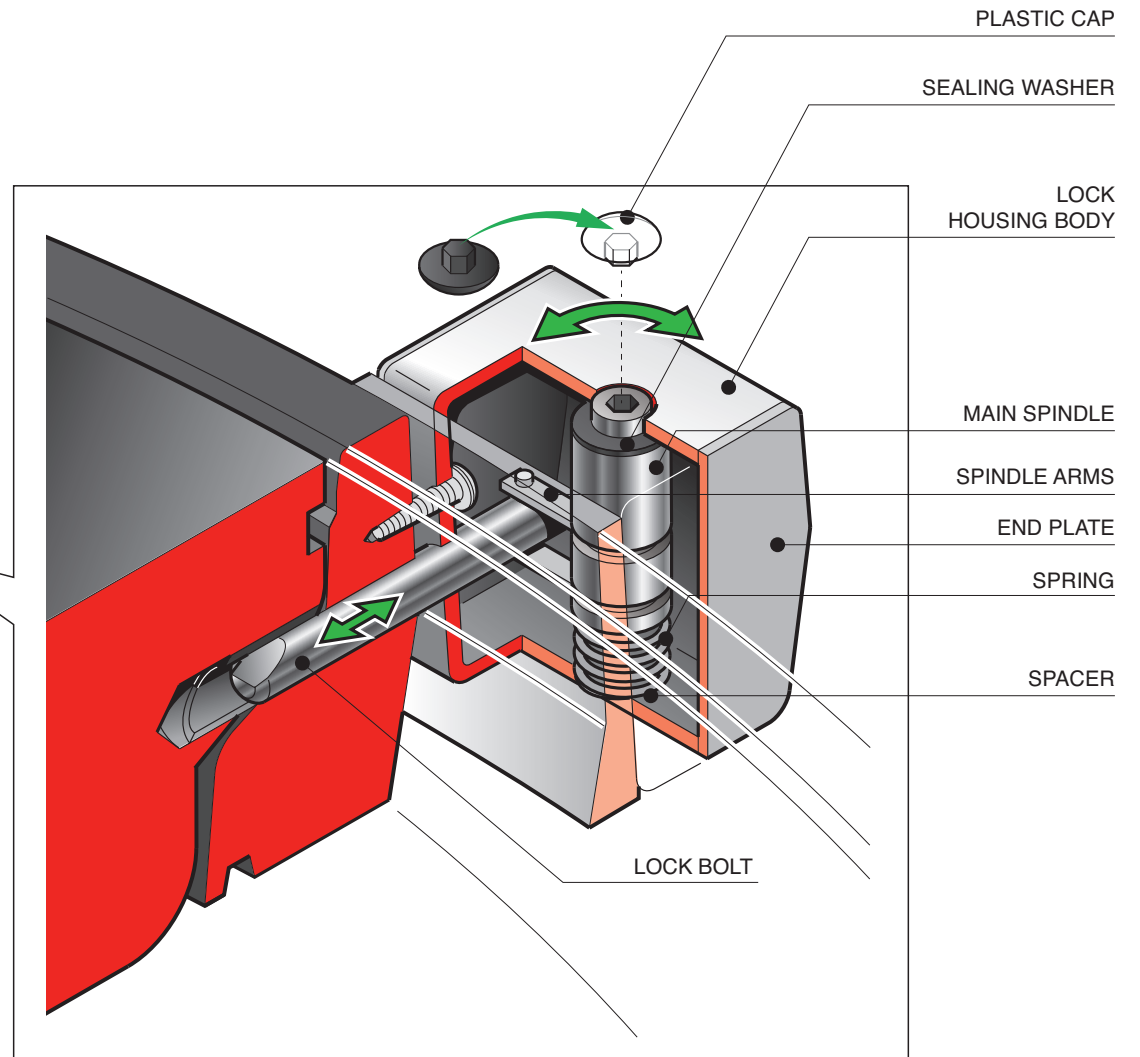
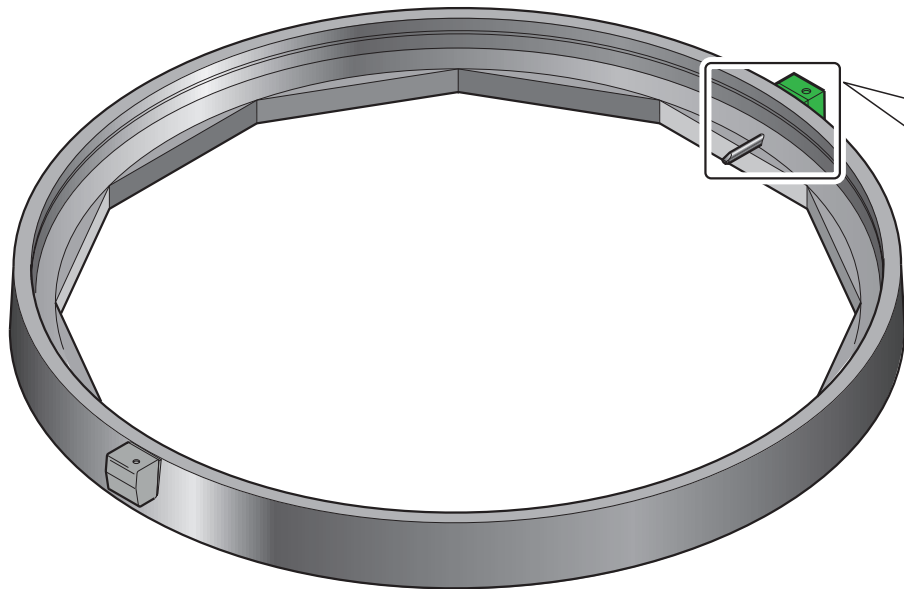


Captive lock down system for FL90, FL100, FL120, FL180, FL600 and FL760 cover and frame.

For reference purposes only. This drawing is not a specification. Order against product code only. To enable continuous improvement of our products, the designs and specifications are subject to change without notice.

FIBRELITE 
PART OF OPW A  DOVER COMPANY



Captive lock down system for FL90, FL100, FL120, FL180, FL600 and FL760 cover and frame.

For reference purposes only. This drawing is not a specification. Order against product code only. To enable continuous improvement of our products, the designs and specifications are subject to change without notice.



