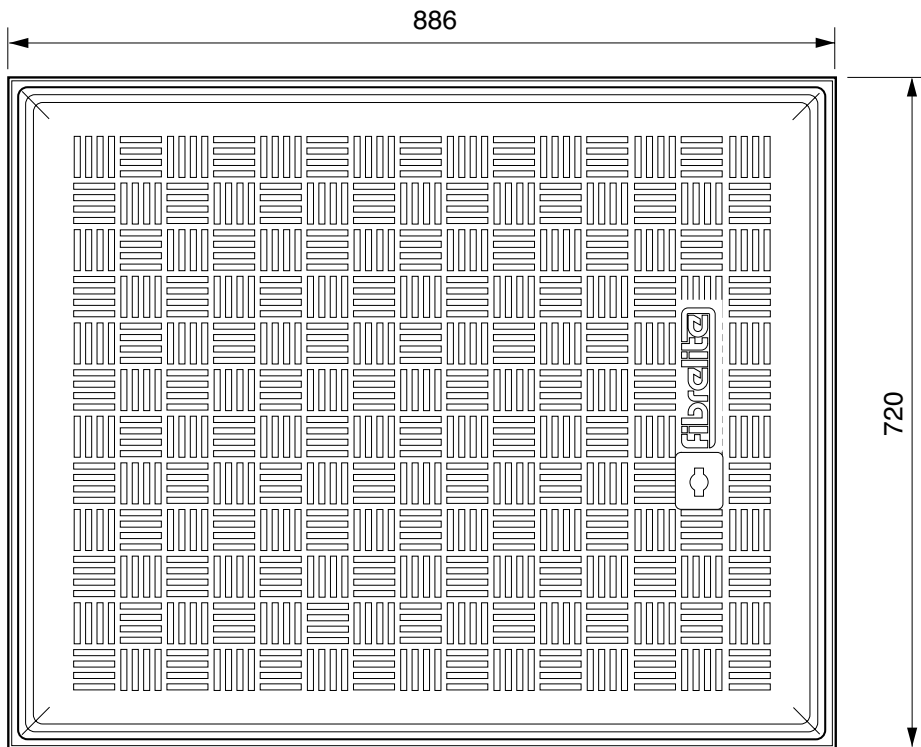
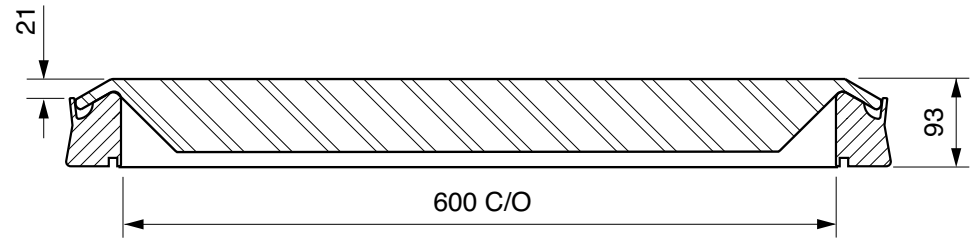
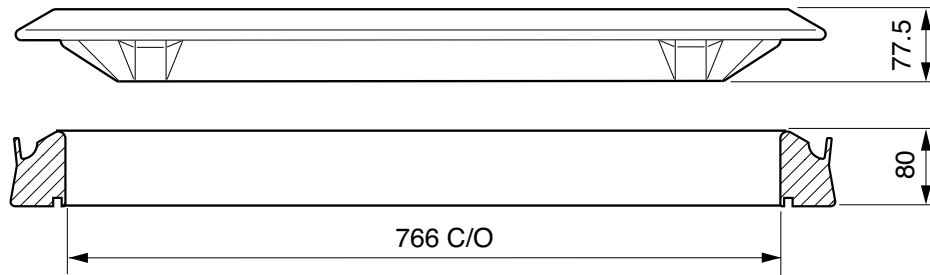


766mm x 600mm raised composite cover with an aluminium frame.

For reference purposes only. This drawing is not a specification. Order against product code only. To enable continuous improvement of our products, the designs and specifications are subject to change without notice.

FIBRELITE 
PART OF OPW A  DOVER COMPANY



Load Rating	Cover Weight	Frame Weight
C250	25 kg	9 kg

766mm x 600mm raised composite cover with an aluminium frame.

For reference purposes only. This drawing is not a specification. Order against product code only. To enable continuous improvement of our products, the designs and specifications are subject to change without notice.

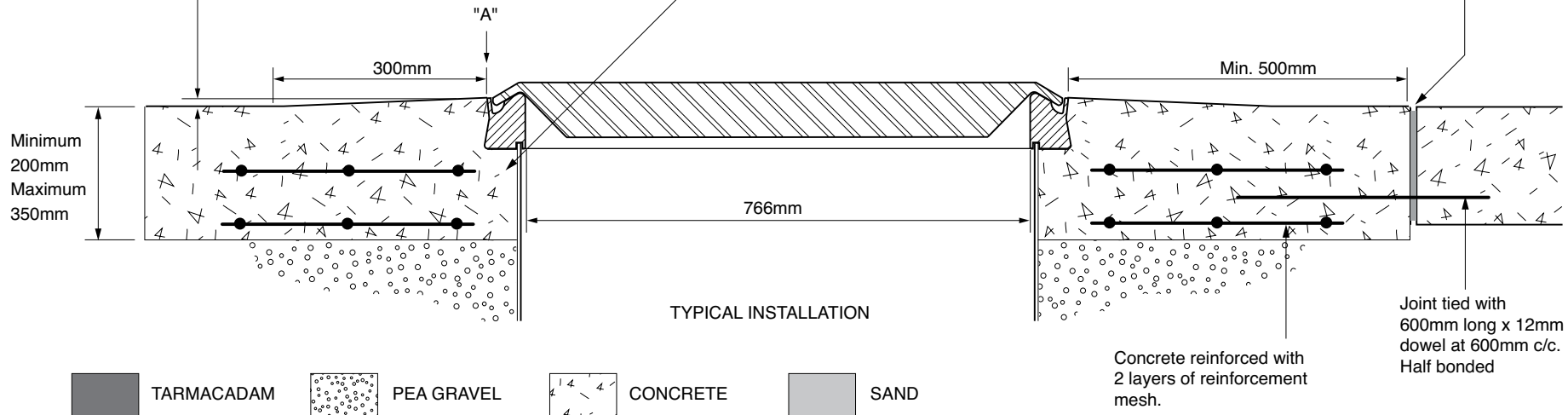
FIBRELITE 
PART OF OPW A  COMPANY

CONCRETE

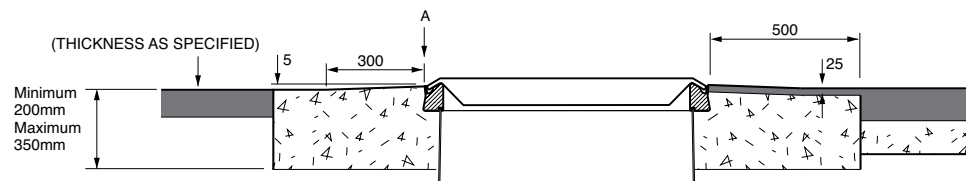
VERY IMPORTANT

OUTER EDGE "A" OF FRAME SET 5 - 10MM ABOVE GENERAL FORECOURT AREA WITH CONCRETE RAMPED AWAY OVER 300MM.

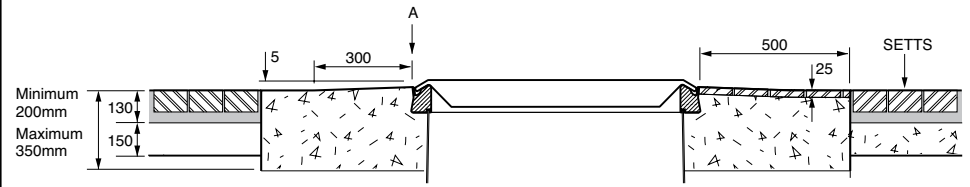
VERY IMPORTANT
The underside of the frame must be adequately supported by concrete.



TARMACADAM



SETTS



766mm x 600mm raised composite cover with an aluminium frame.

For reference purposes only. This drawing is not a specification. Order against product code only. To enable continuous improvement of our products, the designs and specifications are subject to change without notice.

