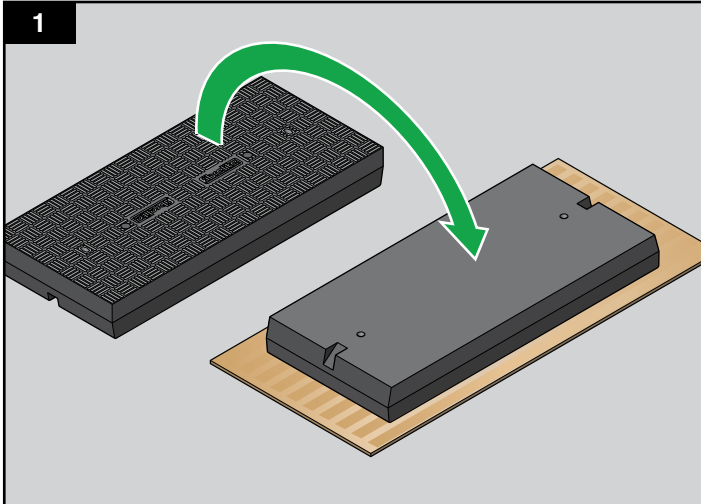
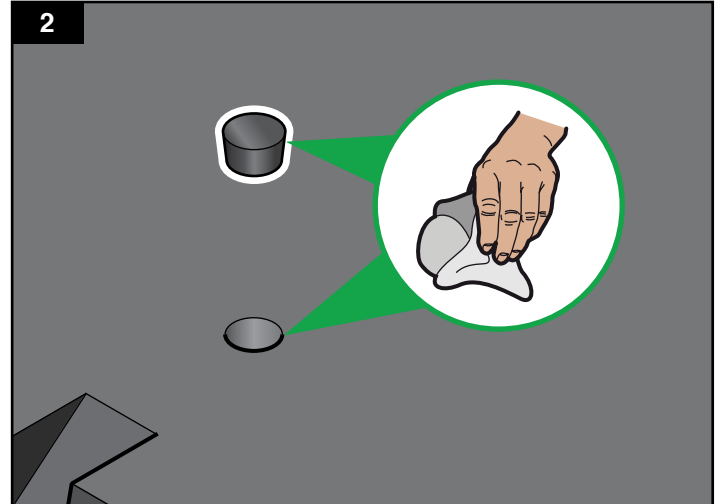


FITTING INSTRUCTIONS

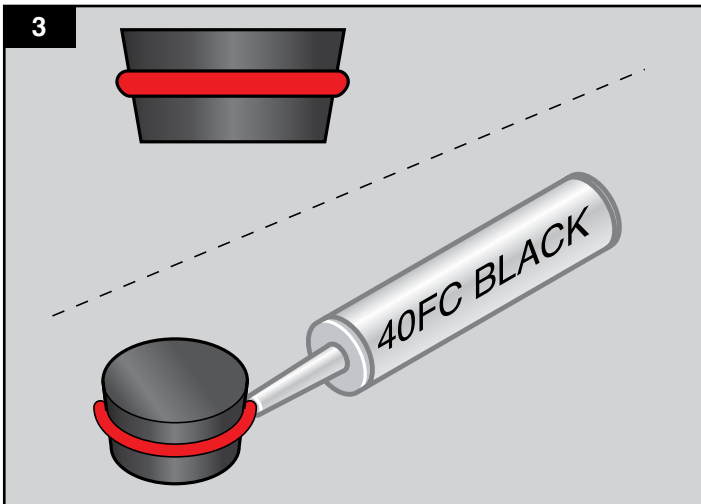
Rubber Plug for the FM Trench Cover Key Housing



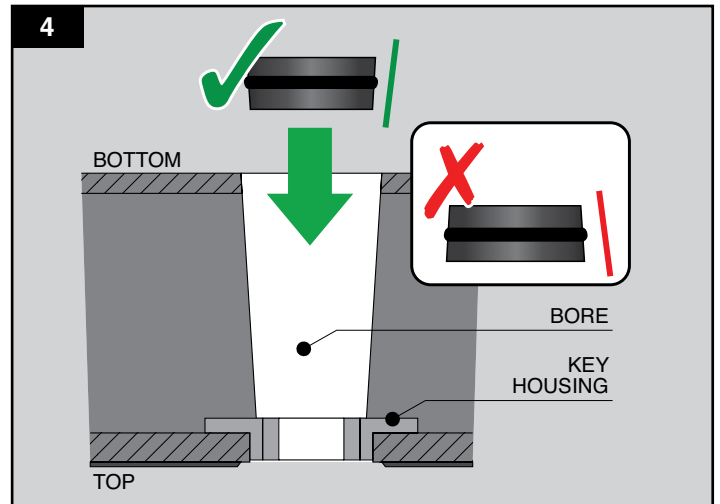
Carefully place the upturned cover onto a cardboard base to prevent damage to the covers treaded surface.



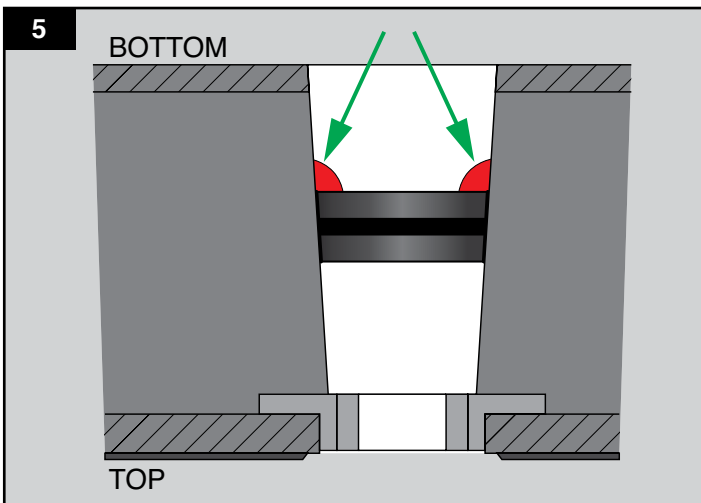
Ensure the rubber plug and the cover key housing bore are clean and dry.



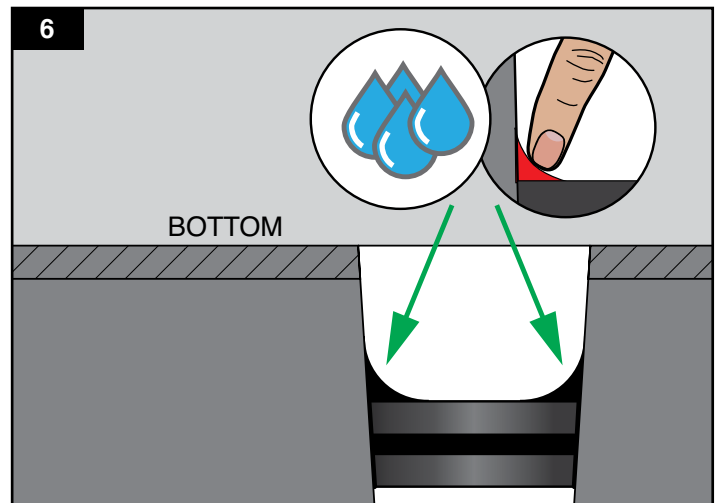
Apply a continuous bead of black 40FC sealant to the outside diameter of the rubber plug.



Insert the rubber plug, narrow end first into the key housing bore until it engages on the taper.



Seal the rubber plug to the key housing with a continuous bead of black 40FC sealant.



Smooth off with soapy water.