

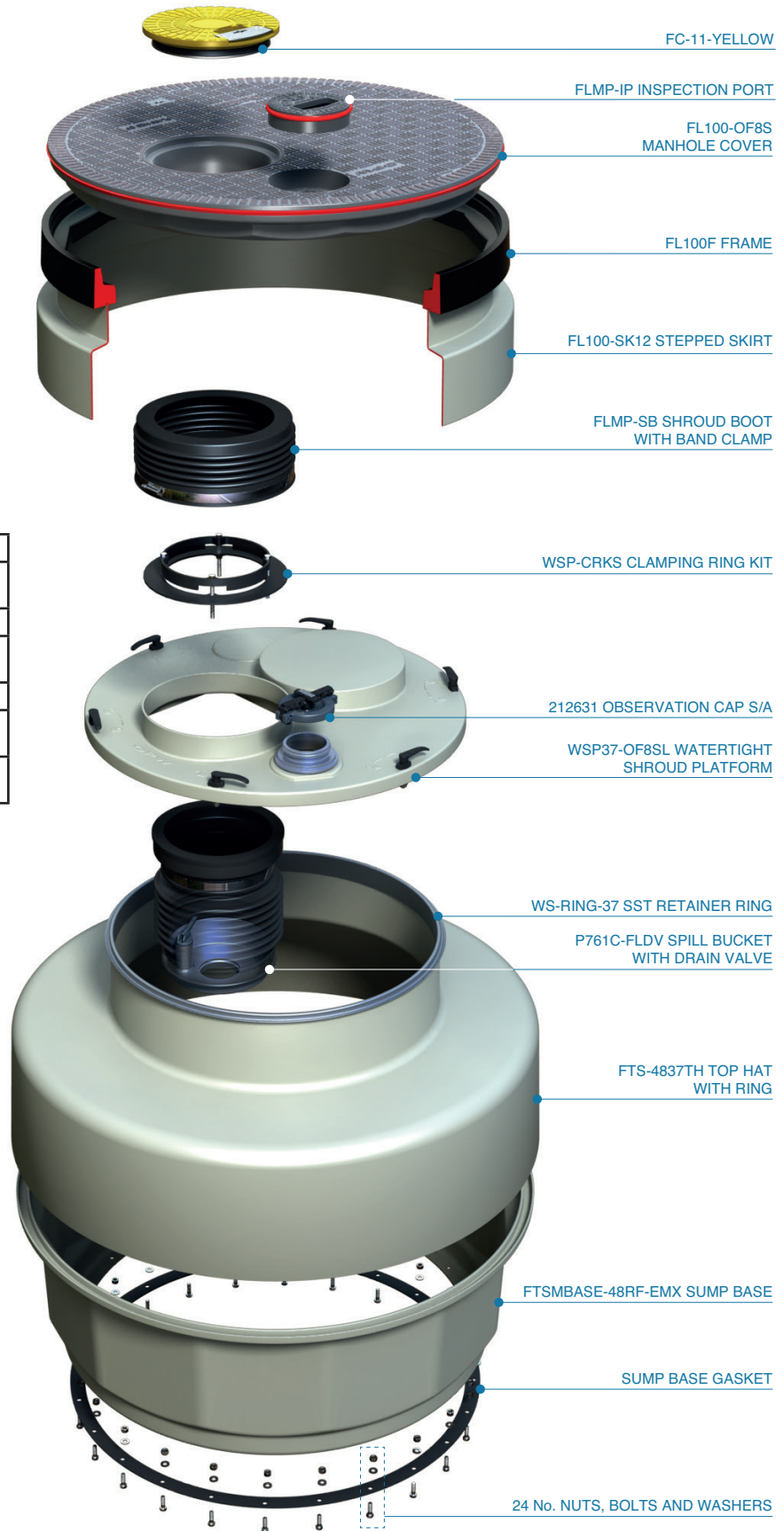
1.2m medium bury reverse flange sump base to fit tank upstand, watertight platform for (1) 5-gallon spill bucket, skirt, cover frame, 1020mm diameter offset port cover and port cover. For Elutron Mexico.

For reference purposes only. This drawing is not a specification. Order against product code only. To enable continuous improvement of our products, the designs and specifications are subject to change without notice.



Note: The OPW products listed in the table below are required for installations subject to CARB approval. These items are not included with the sump kits and must be ordered separately.

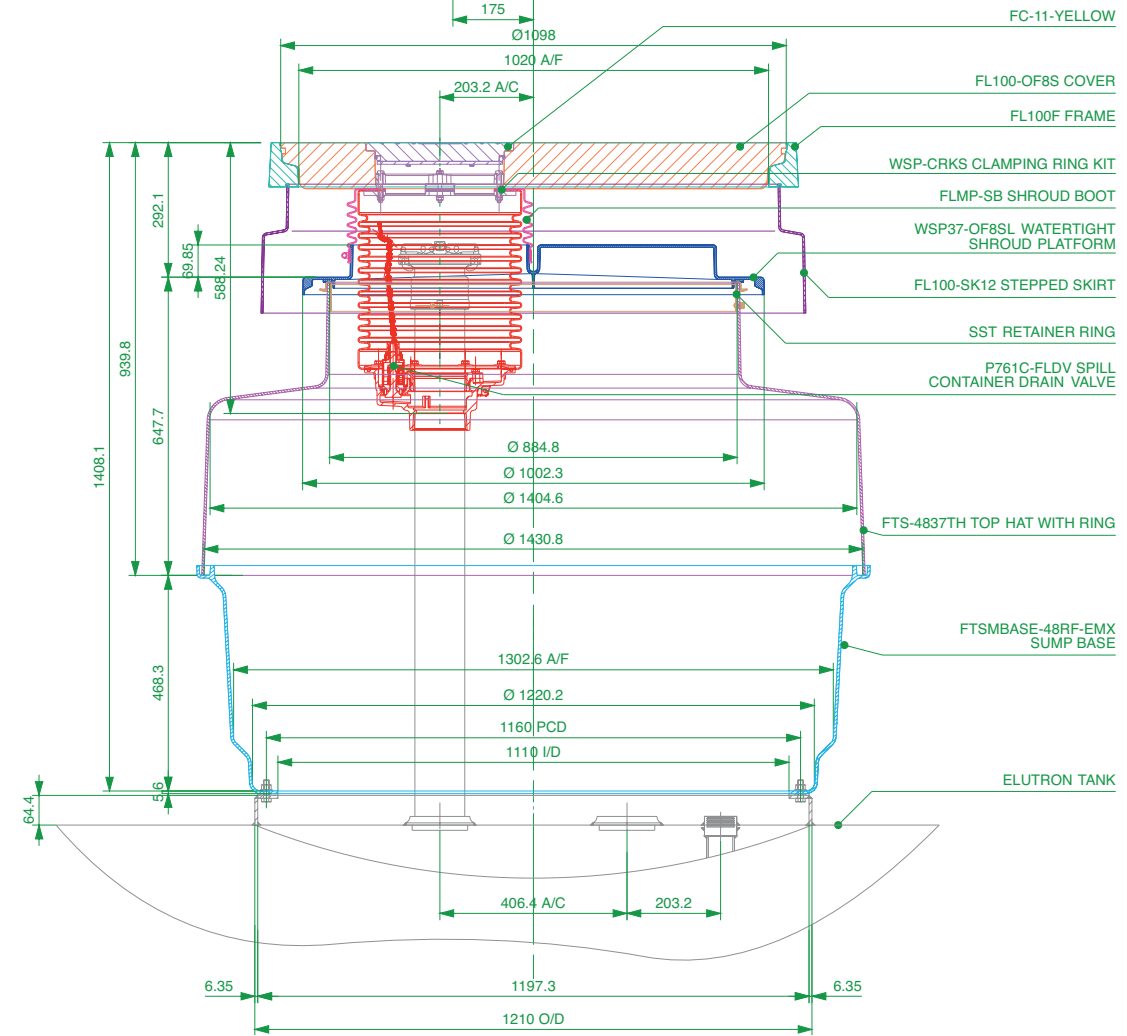
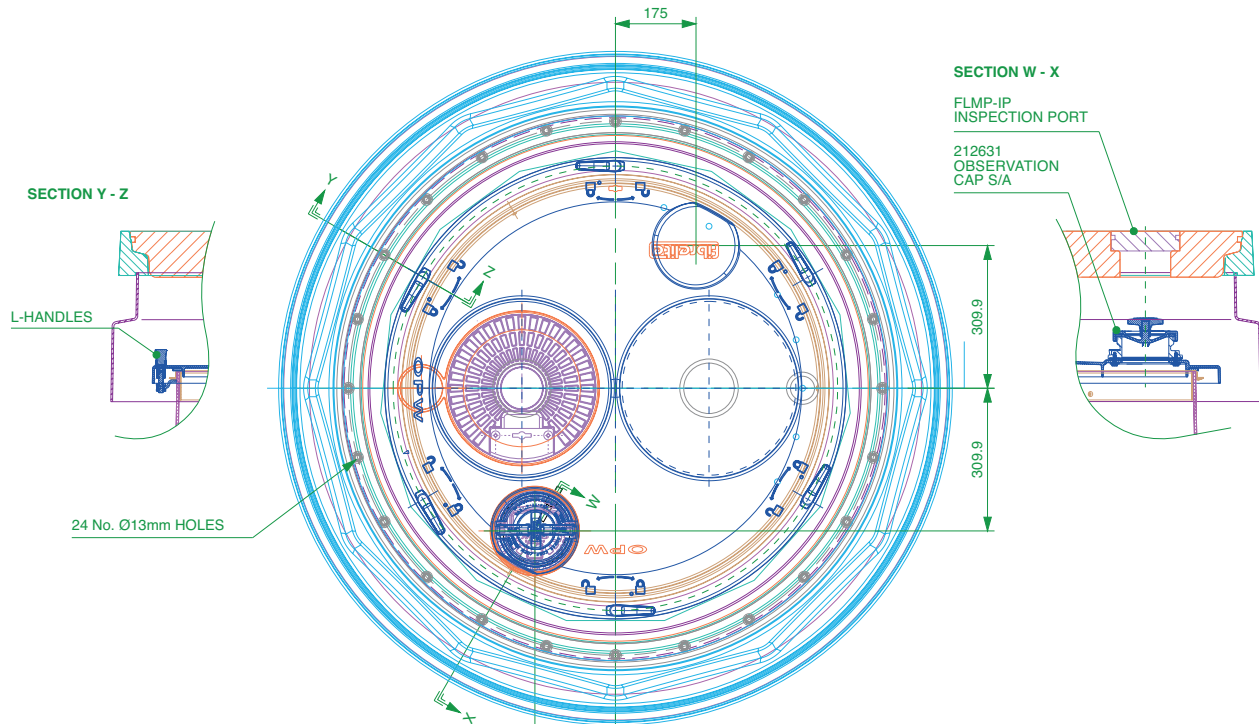
Item	Description	Qty
61SALP-1020-EVR	Fill Swivel Adapter, Brass	1
634TT-7085-EVR	Fill Cap, Gray	1
H12807M	Fill Nipple, 12" Length	1
FSA-400-S	Face Seal Adapter	1
61JSK-44CB	Jack Screw Assembly	1
71SO-T	Testable Overfill Prevention Valve	1



1.2m medium bury reverse flange sump base to fit tank upstand, watertight platform for (1) 5-gallon spill bucket, skirt, cover frame, 1020mm diameter offset port cover and port cover. For Elutron Mexico.

For reference purposes only. This drawing is not a specification. Order against product code only. To enable continuous improvement of our products, the designs and specifications are subject to change without notice.

FIBRELITE 
PART OF OPW A DOWDER COMPANY



1.2m medium bury reverse flange sump base to fit tank upstand, watertight platform for (1) 5-gallon spill bucket, skirt, cover frame, 1020mm diameter offset port cover and port cover. For Elutron Mexico.

For reference purposes only. This drawing is not a specification. Order against product code only. To enable continuous improvement of our products, the designs and specifications are subject to change without notice.



TYPICAL INSTALLATION

VERY IMPORTANT

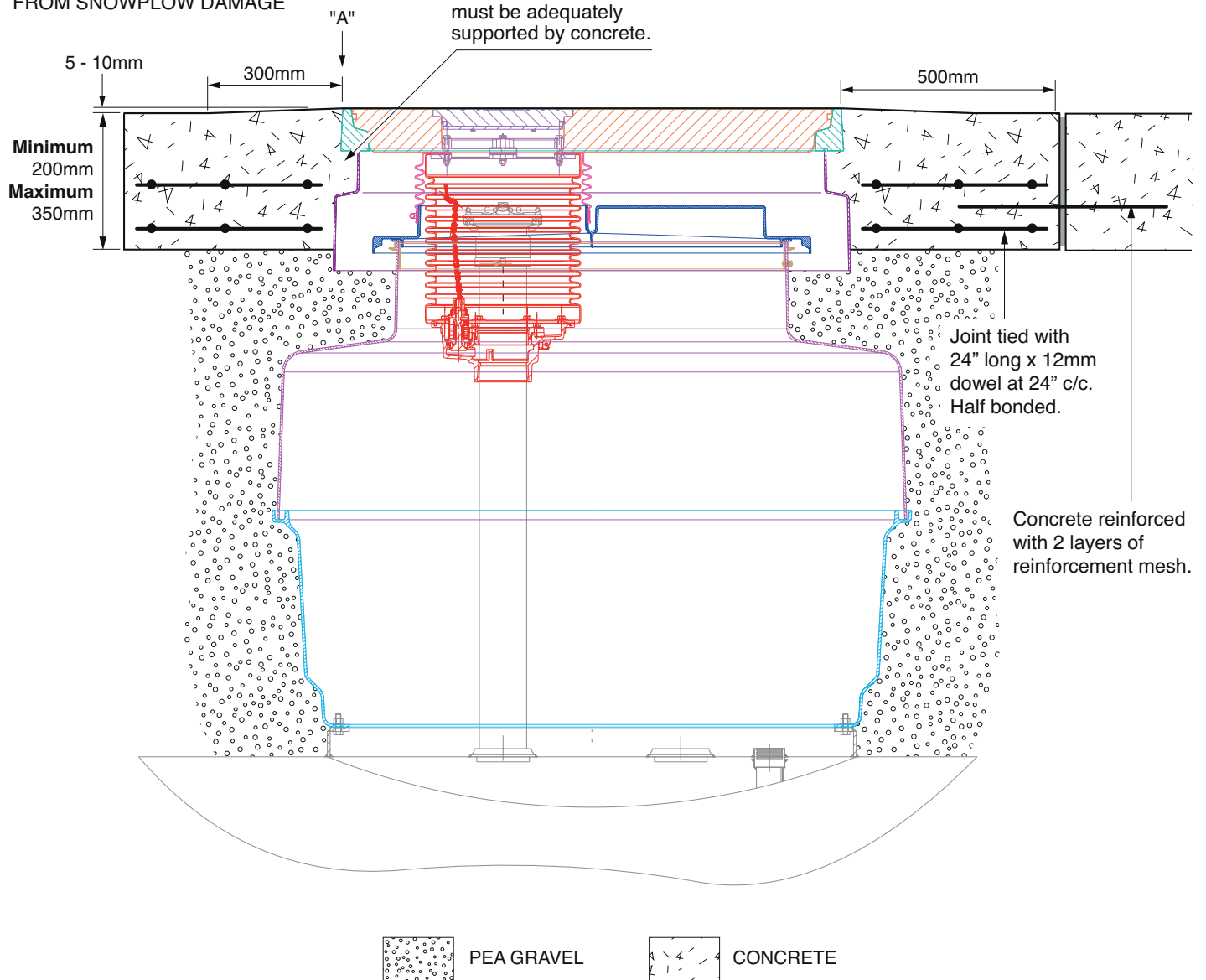
To allow for drainage, Fibrelite recommends that the concrete be sloped away from the top outer edge of the frame (A) a minimum of 1/2" over a 12" distance. Do not expose the top outer edge of the frame (A) – the concrete pad must be flush with the top outer edge of the frame.

CONCRETE

VERY IMPORTANT

FRAMES MUST BE INSTALLED FLUSH WITH FINISHED GRADE OR SET SLIGHTLY BELOW FINISHED GRADE TO PROTECT FROM SNOWPLOW DAMAGE

VERY IMPORTANT
The underside of the frame must be adequately supported by concrete.



1.2m medium bury reverse flange sump base to fit tank upstand, watertight platform for (1) 5-gallon spill bucket, skirt, cover frame, 1020mm diameter offset port cover and port cover. For Elutron Mexico.

For reference purposes only. This drawing is not a specification. Order against product code only. To enable continuous improvement of our products, the designs and specifications are subject to change without notice.

FIBRELITE

PART OF OPW A DOWER COMPANY