

Pipe & Cable Entry Sealkits

For industrial applications and utilities.



We've got you covered

FIBRELITE 

One Superior Standard - Providing perfect water

Introduction

Fibrelite's entry sealkits provide a reliable seal for pipe and conduit/cable entries through containment chambers. The unique design requires only one hole drilling, making it quick and easy to install. No additional screw holes are required, minimising the number of potential leak paths through the chamber wall. Our sealkits are resistant to a wide range of chemicals associated with industrial and utility installations. Please contact us for further details.

Pipe Entry Sealkits

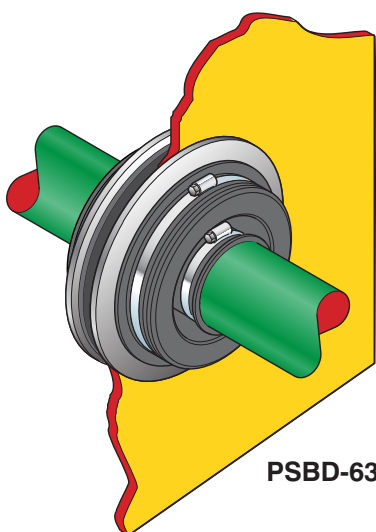
Our single and double sided entry sealkits will fit all types of pipework on the market, both metal and plastic.



PSB-50

Single sided pipe entry sealkits

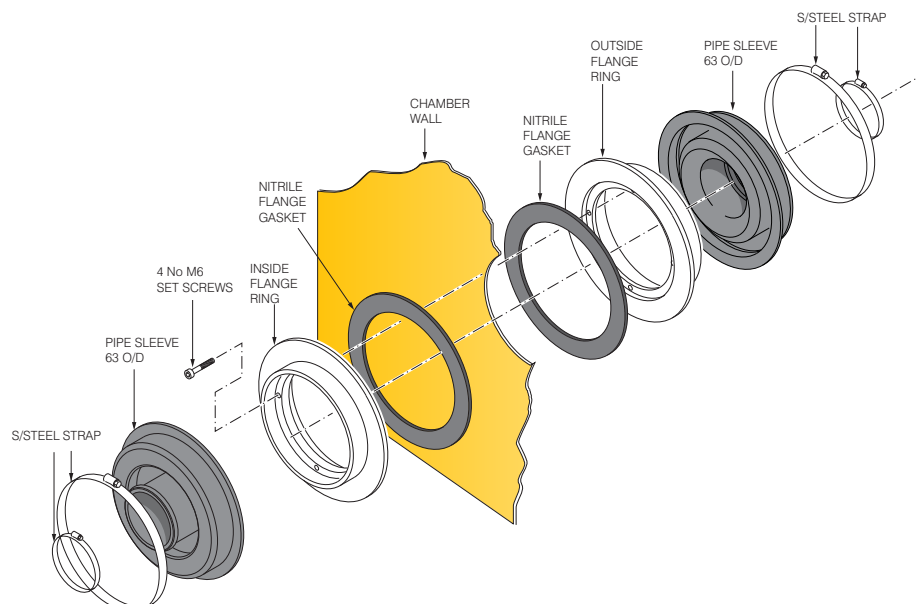
Product Code	Description	Pipe O/D (mm)	Flange Ring O/D (mm)	Hole Size (mm)
PSB-50	to fit 50mm pipe	45 – 53	190	150
PSB-63	to fit 63mm pipe	57 – 66	190	150
PSB-75	to fit 75mm pipe	68 – 79	190	150
PSB-90	to fit 90mm pipe	81 – 95	190	150
PSB-110	to fit 110mm pipe	99 – 115	190	150
PSB-125	to fit 125mm pipe	112 – 131	240	190
PSB-140	to fit 140mm pipe	126 – 147	240	190
PSB-160	to fit 160mm pipe	153 – 162	240	190



PSBD-63

Double sided pipe entry sealkits

Product Code	Description	Pipe O/D (mm)	Flange Ring O/D (mm)	Hole Size (mm)
PSBD-50	to fit 50mm pipe	45 – 53	190	150
PSBD-63	to fit 63mm pipe	57 – 66	190	150
PSBD-75	to fit 75mm pipe	68 – 79	190	150
PSBD-90	to fit 90mm pipe	81 – 95	190	150
PSBD-110	to fit 110mm pipe	99 – 115	190	150
PSBD-125	to fit 125mm pipe	112 – 131	225	190
PSBD-140	to fit 140mm pipe	126 – 147	225	190
PSBD-160	to fit 160mm pipe	153 – 162	225	190

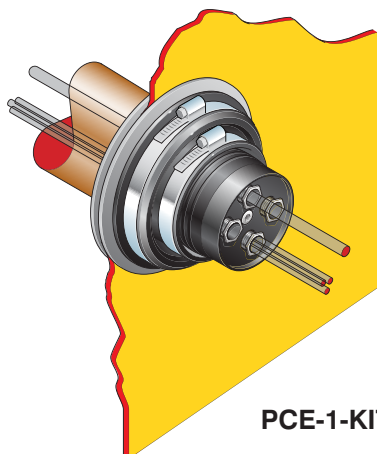


rtight sealing of cable penetrations and pipework.

Cable & Conduit Entry Sealkits

One of the most common installation problems is leaking cable entries. Fibrelite offer a wide range of cable and conduit sealing solutions. Our unique single hole drilled design, minimises potential leak paths.

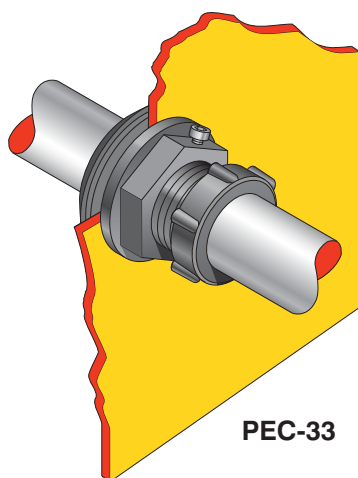
Our sealkits fit a wide range of duct and conduit from 110mm (4") to 25mm. Some models seal cables directly.



PCE-1-KIT

Cable entry sealkits

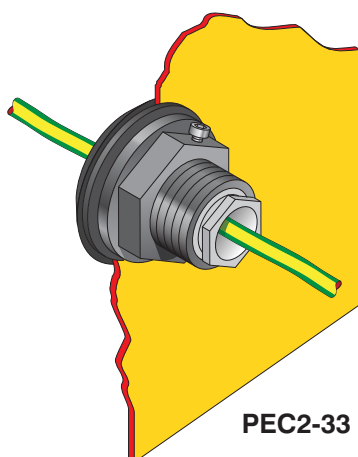
Product Code	Description	No. of Cables	Cable Size (mm)	Hole Size (mm)	Flange Ring O/D (mm)
PCE-1	Duct seal with 4 compression seals. Designed to fit inside a PSB-110 entry kit (not included). Seals up to 12 cables.	1-4 1-12	9-20 5-8	150	190
PCE-1-KIT	PCE-1 complete with PSB-110 sealkit (to seal 110mm duct).	1-4 1-12	9-20 5-8	150	190



PEC-33

Conduit entry sealkits

Product Code	Description	No. of Cables	Cable Size (mm)	Hole Size (mm)	Flange Ring O/D (mm)
PEC-25	For 25mm conduit	-	-	44	75
PEC-27	For 3/4" steel conduit	-	-	51	85
PEC-32	For 32mm conduit	-	-	51	85
PEC-33	For 1" steel conduit	-	-	60	90
PEC-50	For 1 1/2" steel conduit For 50mm pipe	-	-	73	95
PEC2-33	Grounding cable seal designed to fit 1" steel conduit	1 3	9-20mm 5-8mm	60	90
PEC2-50	Grounding cable seal designed to fit 1 1/2" steel conduit or 50mm dia. plastic pipe	1 3	9-20mm 5-8mm	73	95



PEC2-33

Fibrelite's commitment towards maintaining the highest possible standards

Fibrelite products are manufactured in the US and UK only, to ensure the strictest control on raw material quality and manufacturing standards. All products are manufactured in accordance with ISO 9001.2000. ISO accreditation applies to the UK manufacturing plant.



Fibresec
GROUP
COMPANY



FM 37923

Distributor Contact Details



PART OF OPW A FIBRESEC COMPANY

UK Office:

Snaygill Industrial Estate, Keighley Road, Skipton, North Yorkshire, BD23 2QR, UK

Tel: +44 (0) 1756 799 773

E-mail: enquiries@fibrelite.com , Website: www.fibrelite.com

US Office:

3250 US Highway 70 Business West, Smithfield, NC 27577, USA

Tel: + 1 919 209 2404 Fax: +1 (800) 421 3297

E-mail: enquiries@fibrelite.com