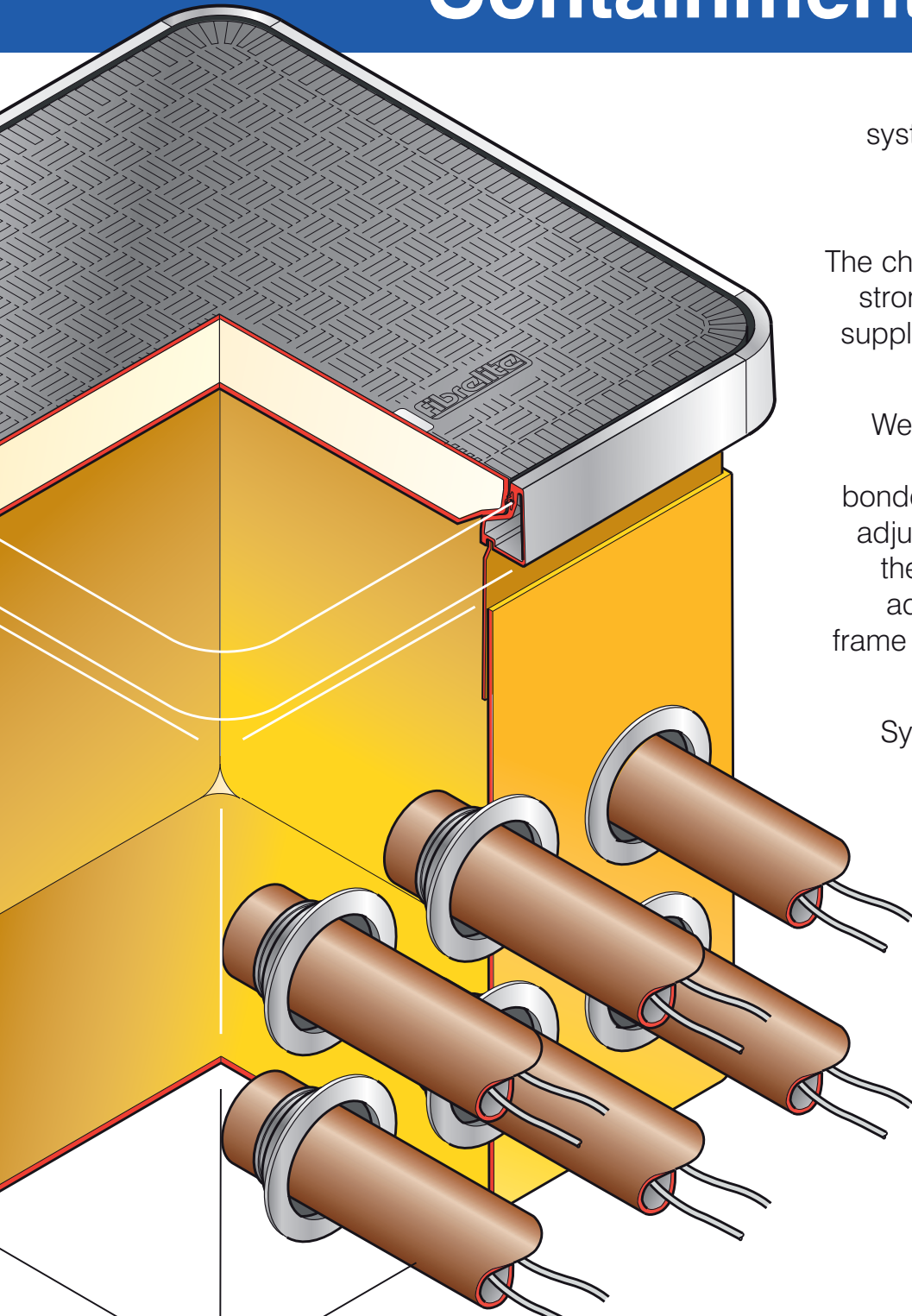


# GRP Watertight Containment Systems



Fibrelite's GRP containment systems are designed to contain electrical cables, pumps and pipework.

The chamber's GRP material is very strong, non corrosive and can be supplied with an integral anti-static internal layer upon request.

We offer a choice of fixed height systems, where the frame is bonded directly to the chamber, or adjustable height systems, where the frame is bonded to a height adjustable skirt. This allows the frame to be set to grade level more easily during installation.

Systems are supplied complete with a watertight flat sealed manhole cover.

Fibrelite manhole covers are made from a lightweight composite material, which is easy to remove and replace with our special lifting aid without risk of injury.

All covers are independently tested and exceed BS EN124 standards.

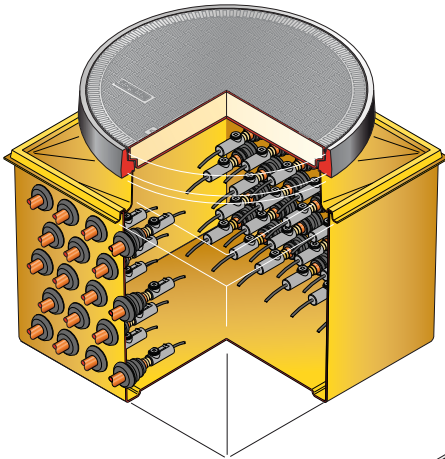
A range of load ratings are available B125, C250 and D400.

We've got you covered

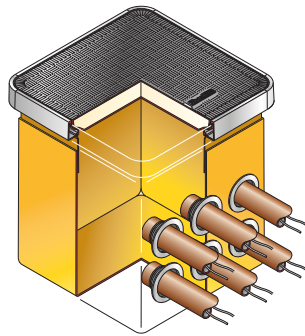
**FIBRELITE** 

## Benefits

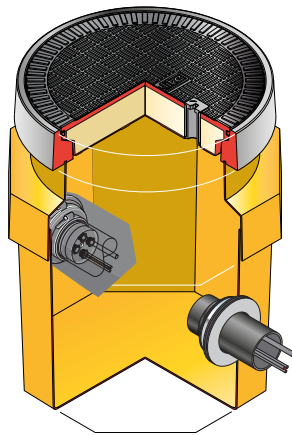
- Watertight
- Anti-static
- Lightweight
- Manhole cover can be supplied in a range of colours
- Manhole cover can be supplied with an ID or company logo
- Range of watertight pipe and cable entry sealkits available
- Locks available
- Non-corrosive
- Very strong
- Range of load ratings available



S80-2760



S4-376-SKIRT



S60-3180

## Fixed Height Systems

Product Code	Description
S1-1450	450mm <sup>2</sup> x 600mm deep GRP solid base sump with watertight flat sealed cover and frame
S2-160	600mm <sup>3</sup> GRP solid base sump with watertight flat sealed cover and frame
S3-176	760mm <sup>2</sup> x 600mm deep GRP solid base sump with watertight flat sealed cover and frame
S4-176	760mm <sup>3</sup> GRP solid base sump with watertight flat sealed cover and frame
S7SB-276	1.2m <sup>3</sup> GRP solid base sump, corbel and 760mm <sup>2</sup> watertight flat sealed cover and frame
S80- 2760	862mm x 675mm deep solid base sump, corbel, and 760mm dia. watertight flat sealed cover and frame

## Adjustable Height Systems

Product Code	Description
S1-3450/SKIRT	450mm <sup>2</sup> x 600mm deep GRP solid base sump with watertight flat sealed cover, frame and skirt
S2-360/SKIRT	600mm <sup>3</sup> GRP solid base sump with water-tight flat sealed cover, frame and skirt
S3-376/SKIRT	760mm <sup>2</sup> x 600mm deep GRP solid base sump with watertight flat sealed cover, frame and skirt
S4-376/SKIRT	760mm <sup>3</sup> GRP solid base sump with water-tight flat sealed cover, frame and skirt

Note - skirt hangs inside the sump.

## Octagonal Adjustable Height Systems

Product Code	Description
S60-3180	600mm dia. multi sided GRP solid base sump with a 450mm dia. watertight flat sealed cover frame & skirt (fits 4" and 6" duct)
S75-3600	770mm dia. multi sided GRP solid base sump with a 600mm dia. watertight flat sealed cover frame & skirt (fits 4" and 6" duct)

### UK Office:

Snaygill Industrial Estate, Keighley Road, Skipton, North Yorkshire, BD23 2QR, UK

Tel: +44 (0) 1756 794 963

E-mail: [enquiries@fibrelite.com](mailto:enquiries@fibrelite.com) , Website: [www.fibrelite.com](http://www.fibrelite.com)

### US Office:

3250 US Highway 70 Business West, Smithfield, NC 27577, USA

Tel: + 1 919 209 2404 Fax: +1 (800) 421 3297

E-mail: [enquiries@fibrelite.com](mailto:enquiries@fibrelite.com)