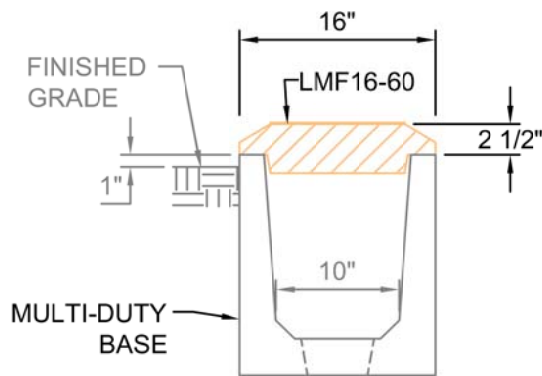


LMF16-60

SCALE: 1" = 1'-0"

WEIGHT: 41#

TIER 15 RATED



TIER 15 FIBRELITE LID ON
MULTI-DUTY BASE

Trenwa Inc.	
1419 ALEXANDRIA PIKE	FORT THOMAS, KY 41075 859-781-0831
TIER 15 FIBRELITE LID & SECTION FOR 10" WIDE MULTI-DUTY TRENCH	
Date: 2/16/17	Dwg. No. LMF16-60