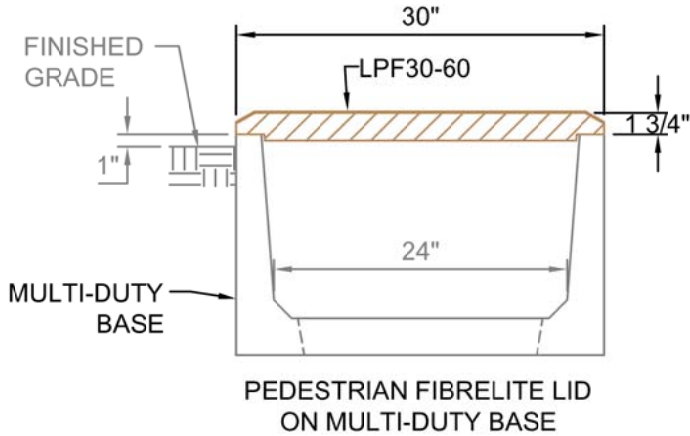


LPF30-60

SCALE: 1" = 1'-0"

WEIGHT: 44 #

PEDESTRIAN RATED



Trenwa Inc.	
1419 ALEXANDRIA PIKE FORT THOMAS, KY 41075 859-781-0831	
PEDESTRIAN FIBRELITE LID & SECTION FOR 24" WIDE MULTI-DUTY TRENCH	
Date: 3/27/17	Dwg. No. LPF30-60