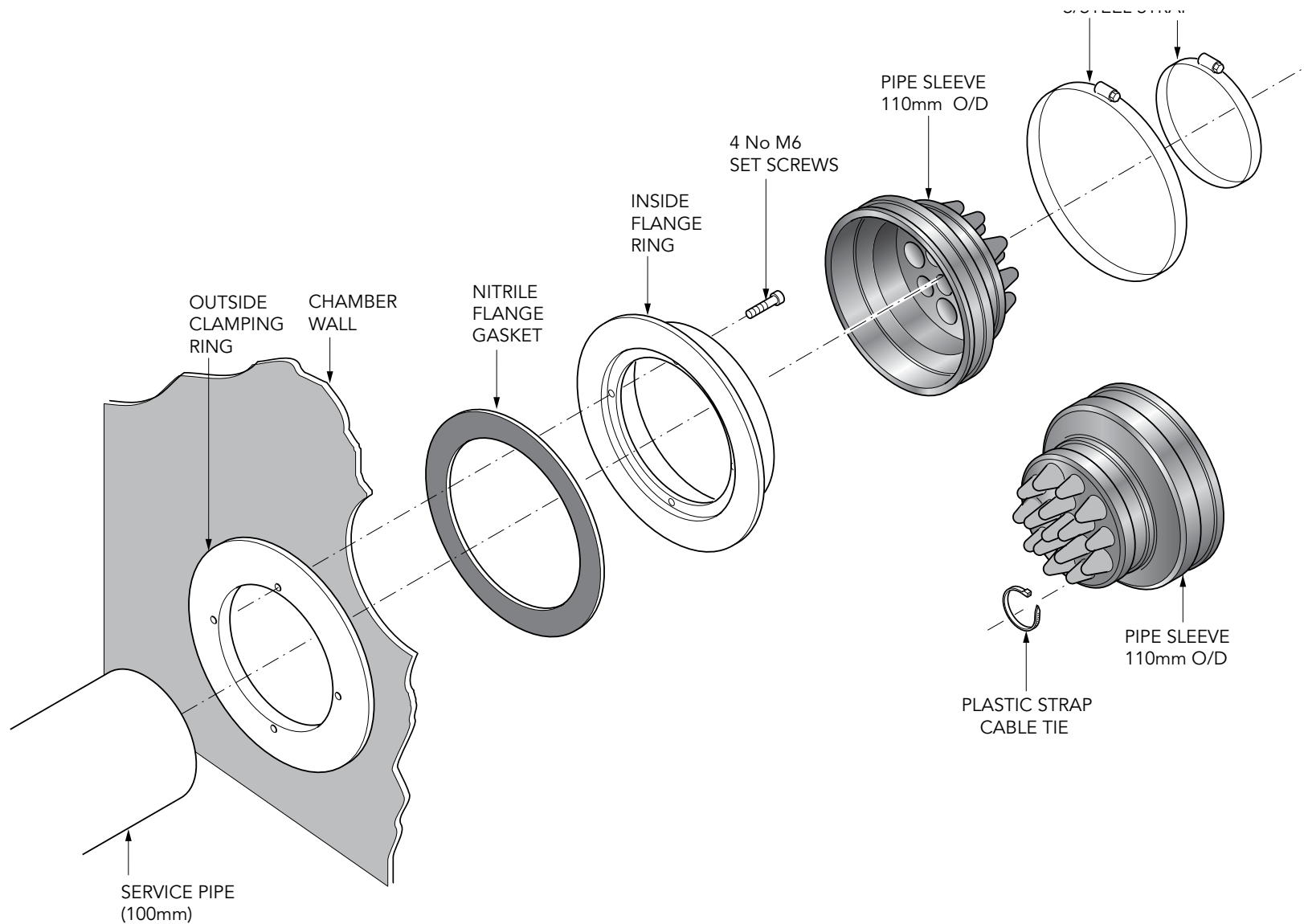


110mm dia. rubber cable entry kit designed to seal up to 16 cables.
Supplied with cable ties.

For reference purposes only. This drawing is not a specification. Order against product code only. To enable continuous improvement of our products, the designs and specifications are subject to change without notice.

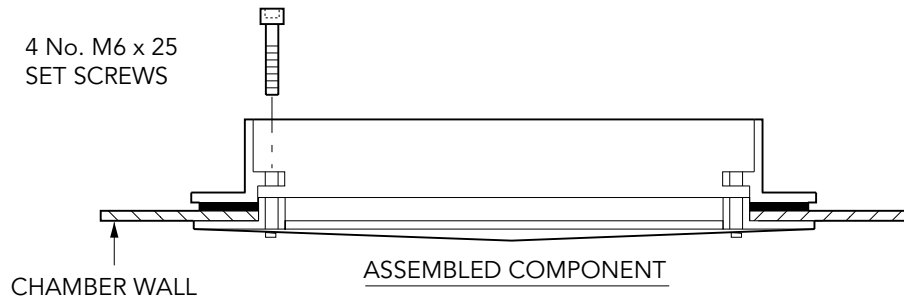
FIBRELITE 
PART OF OPW A  DOVER COMPANY



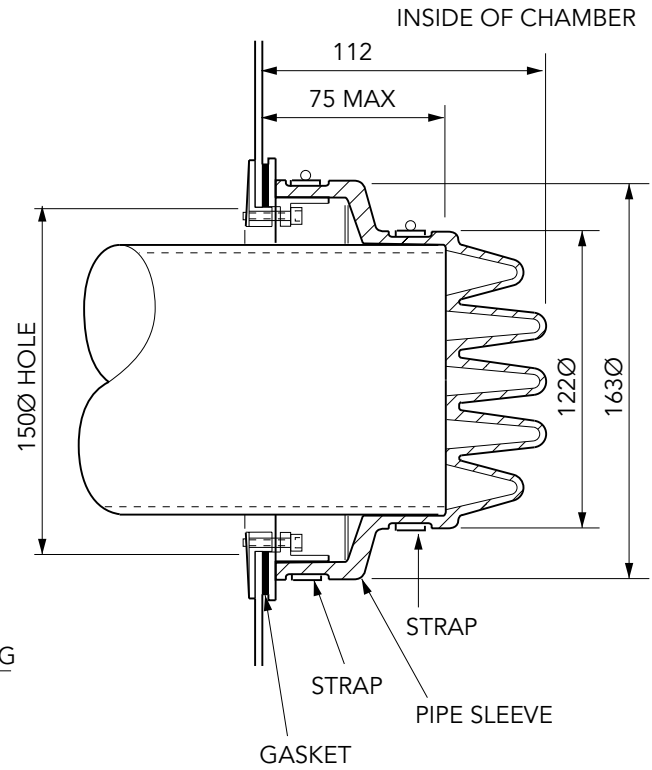
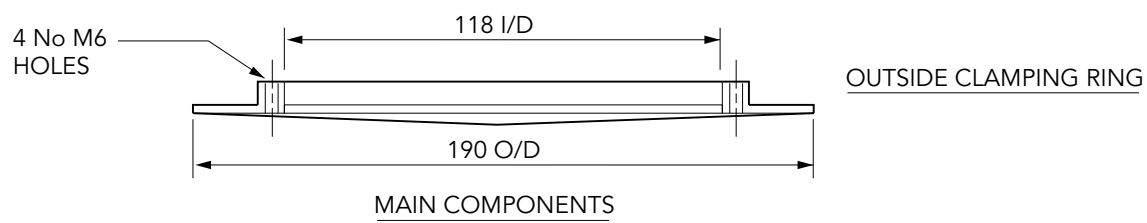
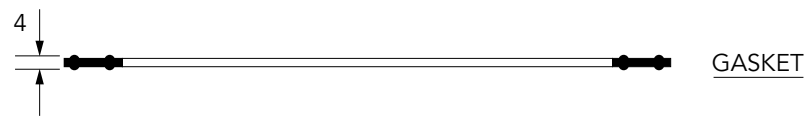
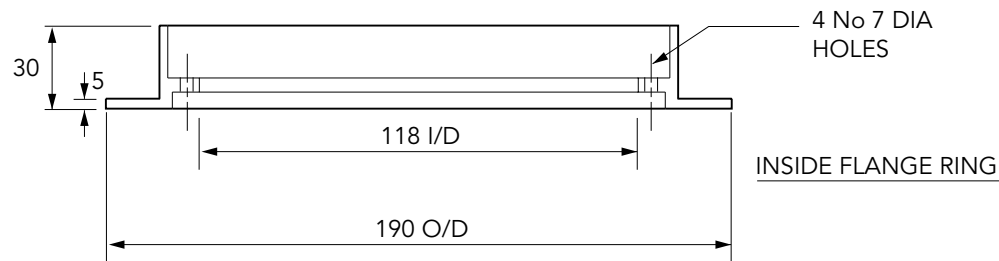
110mm dia. rubber cable entry kit designed to seal up to 16 cables.
Supplied with cable ties.

For reference purposes only. This drawing is not a specification. Order against product code only. To enable continuous improvement of our products, the designs and specifications are subject to change without notice.

FIBRELITE 
PART OF OPW A DOVER COMPANY



ASSEMBLY FOR
PIPEWORK SIZE 110mm



110mm dia. rubber cable entry kit designed to seal up to 16 cables.
Supplied with cable ties.

For reference purposes only. This drawing is not a specification. Order against product code only. To enable continuous improvement of our products, the designs and specifications are subject to change without notice.

