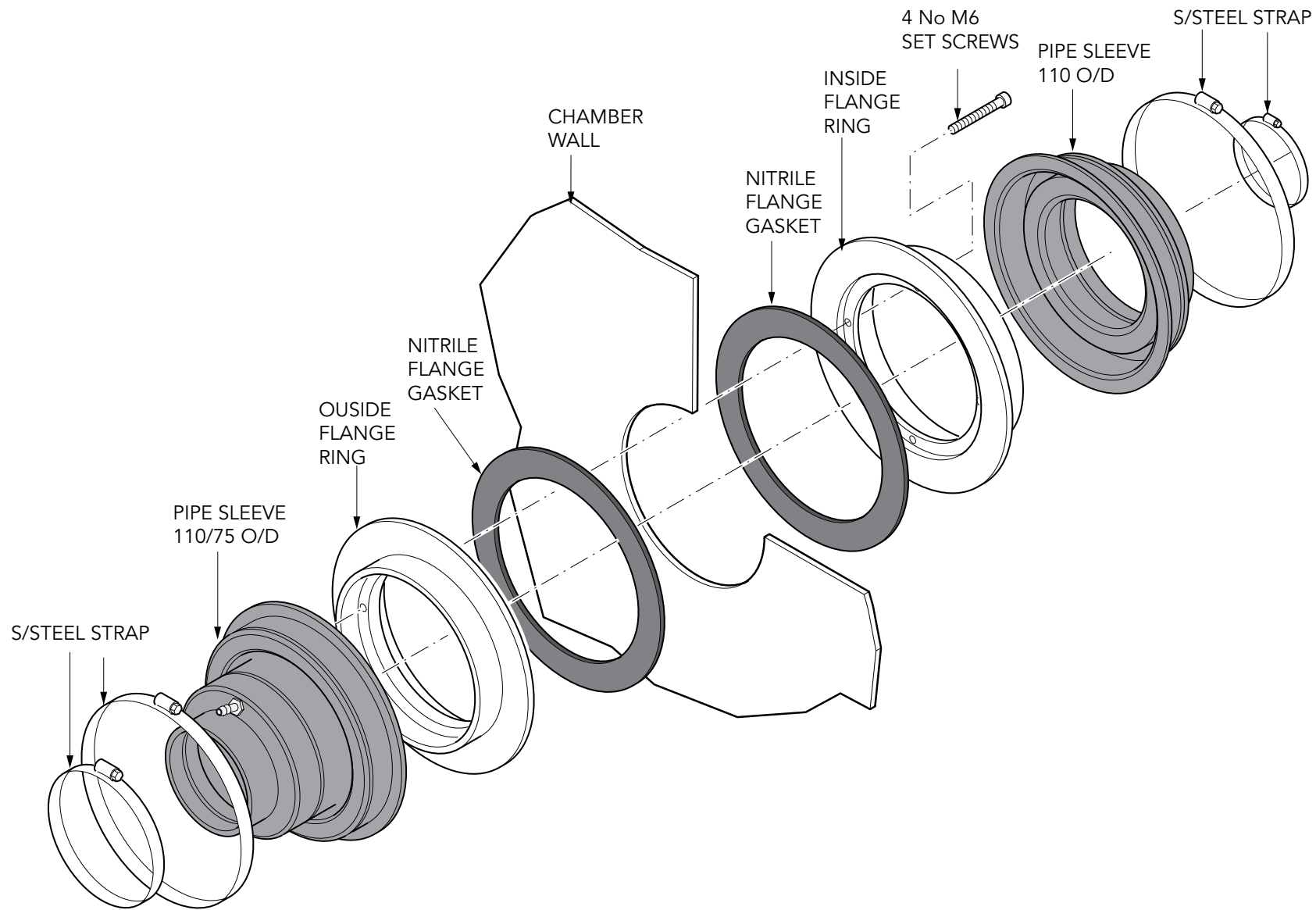


Dual Bore Pipe Entry kit suitable for 110 - 75mm Pipe

For reference purposes only. This drawing is not a specification. Order against product code only. To enable continuous improvement of our products, the designs and specifications are subject to change without notice.

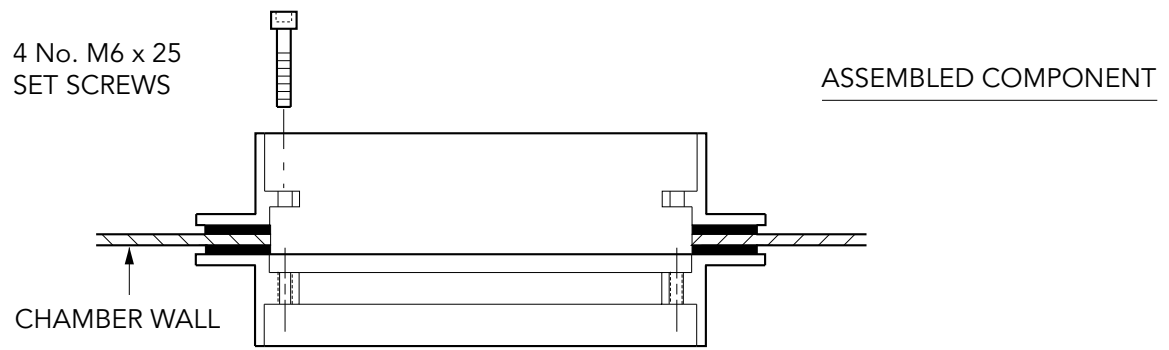
**FIBRELITE**   
PART OF OPW A  COMPANY



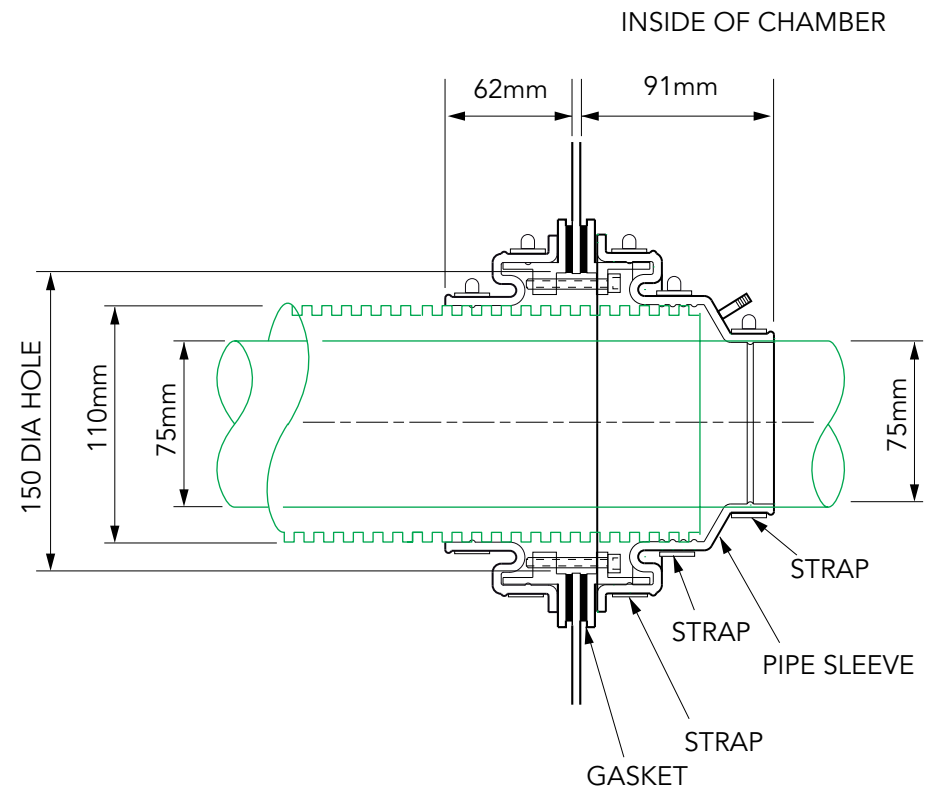
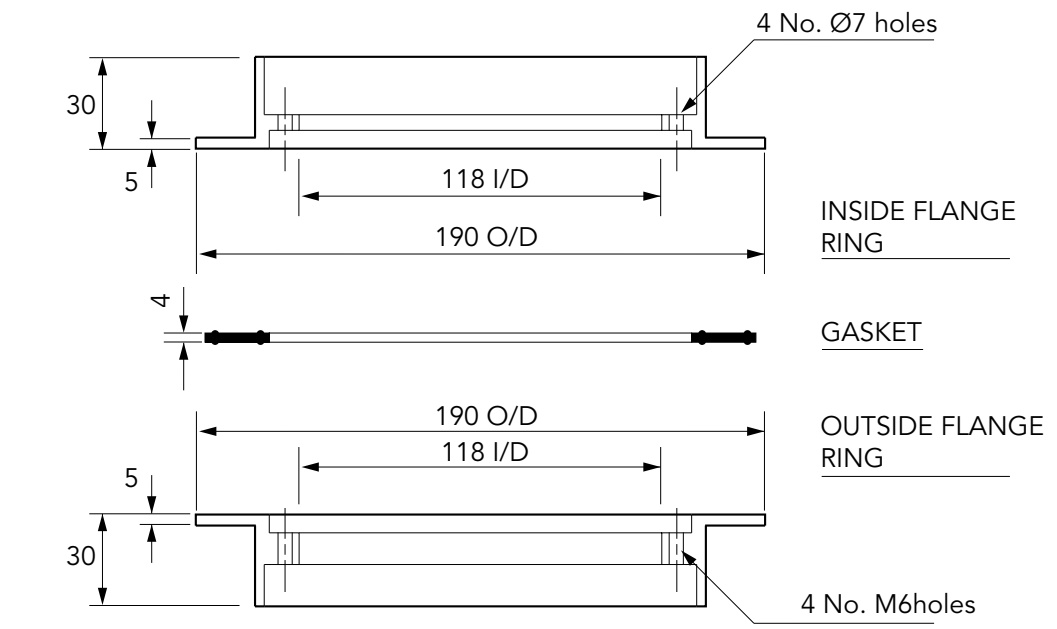
Dual Bore Pipe Entry kit suitable for 110 - 75mm Pipe

For reference purposes only. This drawing is not a specification. Order against product code only. To enable continuous improvement of our products, the designs and specifications are subject to change without notice.

**FIBRELITE**   
PART OF OPW A DOVER COMPANY



ASSEMBLY FOR PIPEWORK  
SIZE 110 mm & 75mm O/D



Dual Bore Pipe Entry kit suitable for 110 - 75mm Pipe

For reference purposes only. This drawing is not a specification. Order against product code only. To enable continuous improvement of our products, the designs and specifications are subject to change without notice.

