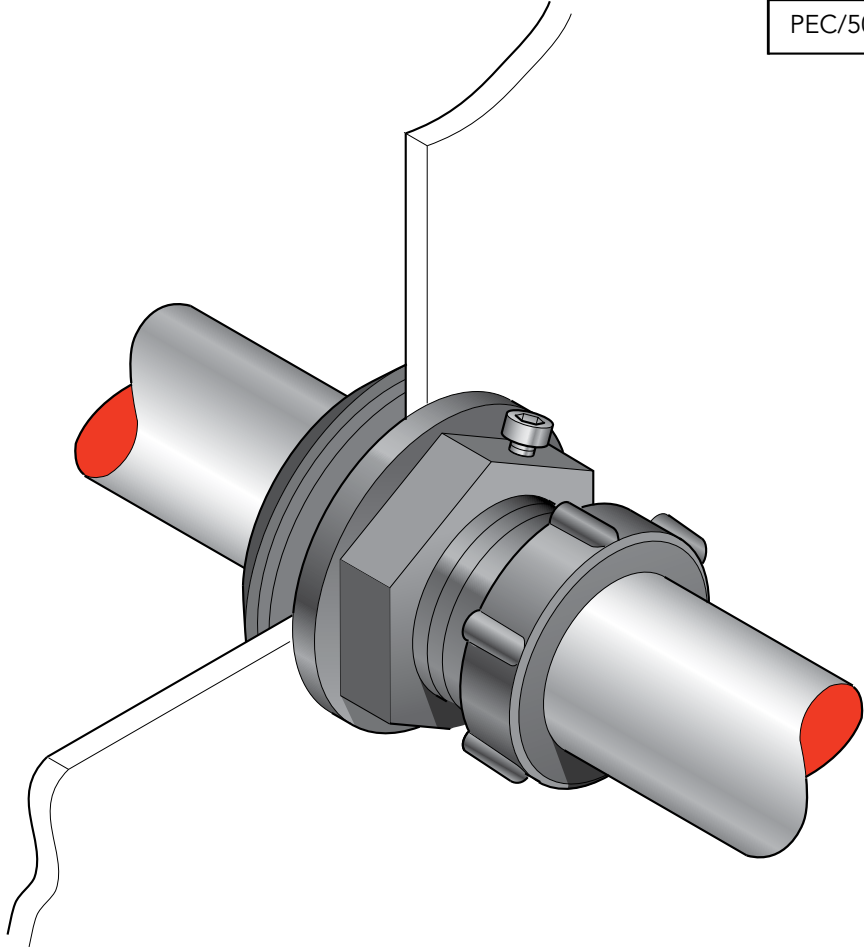


| | | |
|--------------|------------------------------|--------------------------------|
| PRODUCT CODE | Semi-rigid pipe (dia. mm) | Hole Size Dim 'A' (dia. mm) |
| PEC/50 | 50 | 73 |

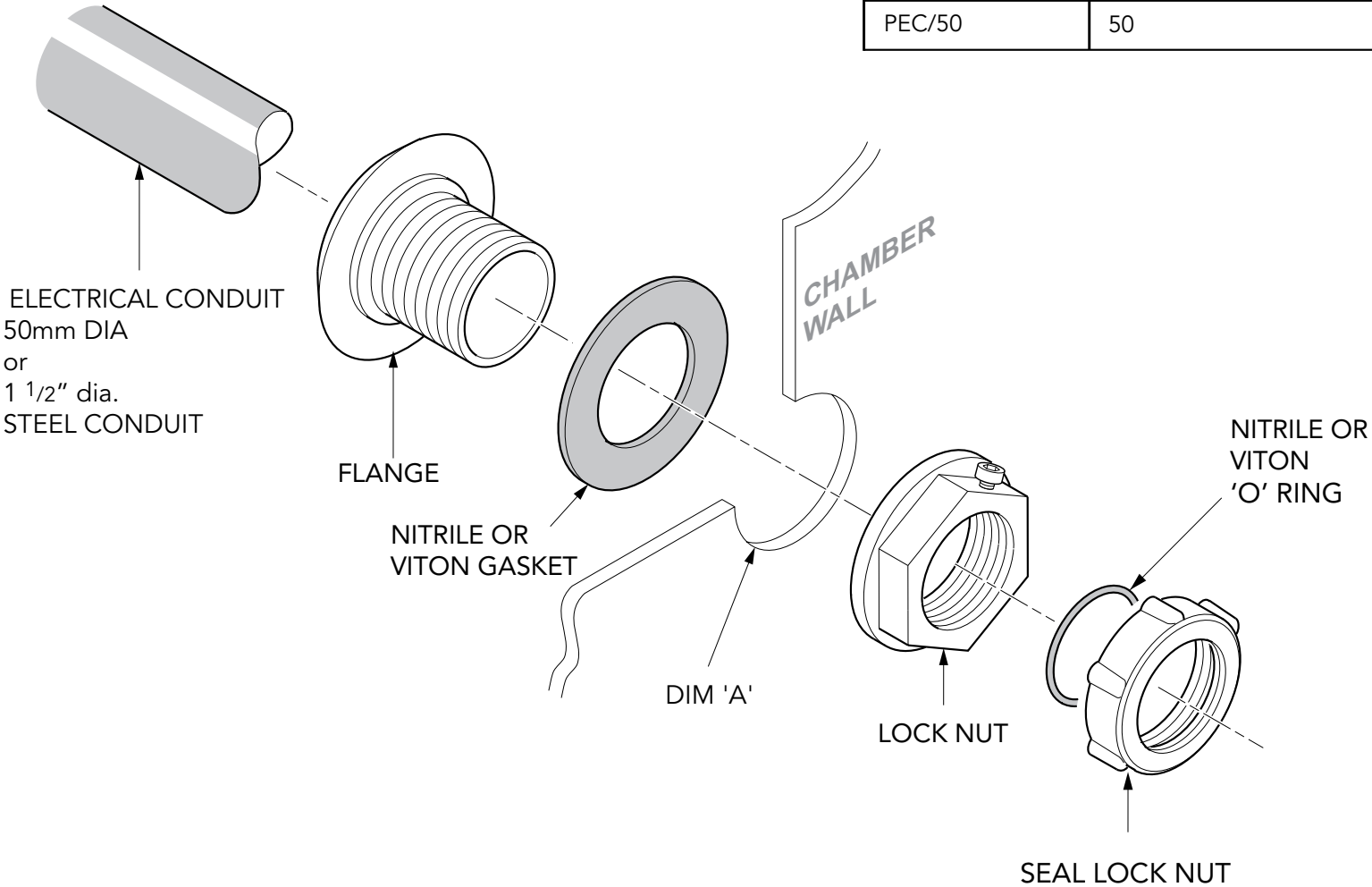


Electrical entry sealkit designed to fit 1 1/2" steel conduit or 50mm dia. semi-rigid pipe.

For reference purposes only. This drawing is not a specification. Order against product code only. To enable continuous improvement of our products, the designs and specifications are subject to change without notice.



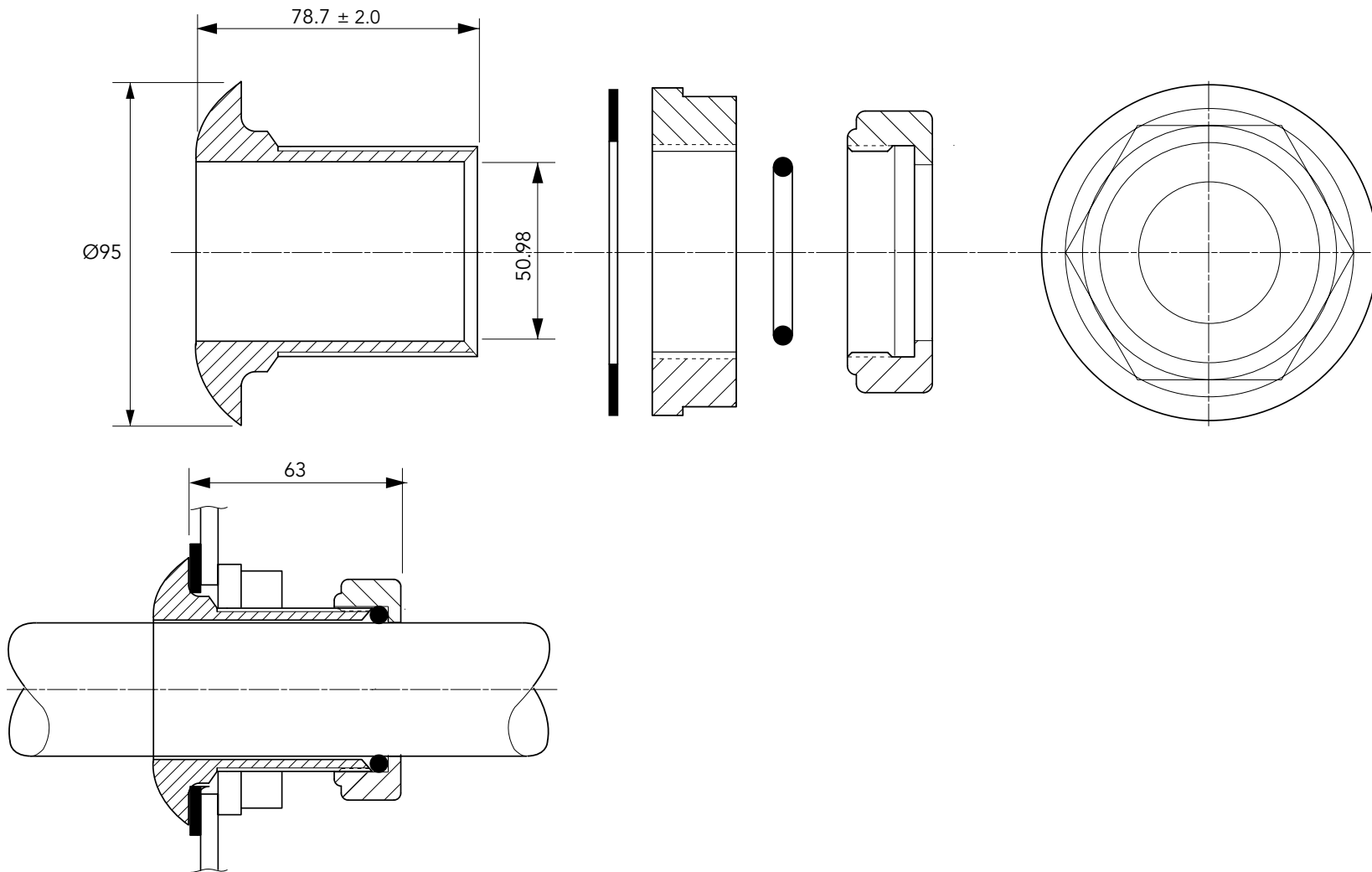
| | | |
|--------------|------------------------------|--------------------------------|
| PRODUCT CODE | Semi-rigid pipe (dia. mm) | Hole Size Dim 'A' (dia. mm) |
| PEC/50 | 50 | 73 |



Electrical entry sealkit designed to fit 1 1/2" steel conduit or 50mm dia. semi-rigid pipe.

For reference purposes only. This drawing is not a specification. Order against product code only. To enable continuous improvement of our products, the designs and specifications are subject to change without notice.





Electrical entry sealkit designed to fit 1 1/2" steel conduit or 50mm dia. semi-rigid pipe.

For reference purposes only. This drawing is not a specification. Order against product code only. To enable continuous improvement of our products, the designs and specifications are subject to change without notice.

FIBRELITE 
PART OF OPW A DDOVER COMPANY