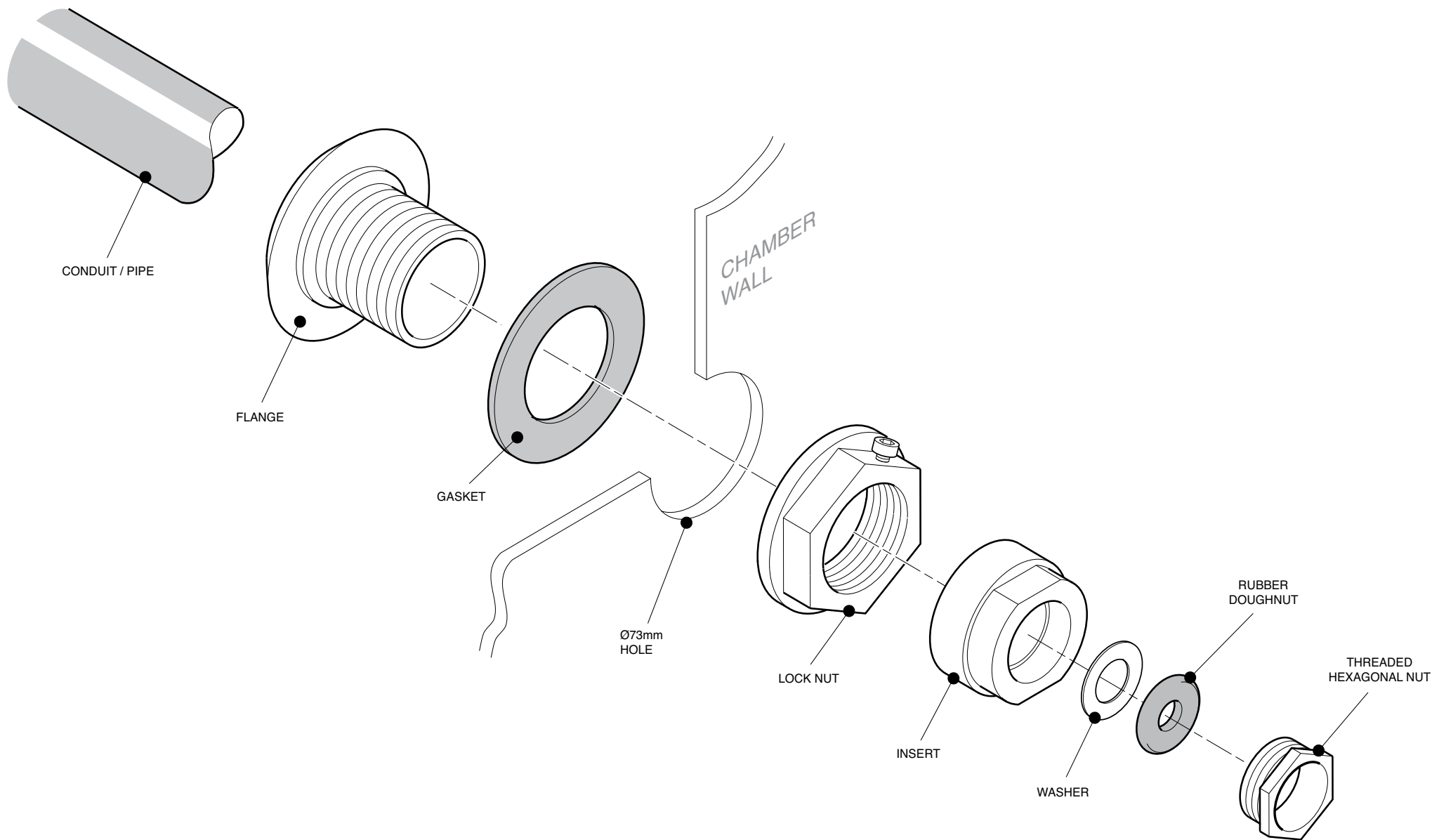


Grounding cable sealkit, designed to fit 1.5" steel conduit or 50mm semi-rigid pipe.
1 hole doughnut fits 1 cable 9-20mm dia.
3 hole doughnut fits 3 cables 5-8mm dia.

For reference purposes only. This drawing is not a specification. Order against product code only. To enable continuous improvement of our products, the designs and specifications are subject to change without notice.

FIBRELITE 
PART OF OPW A  COMPANY

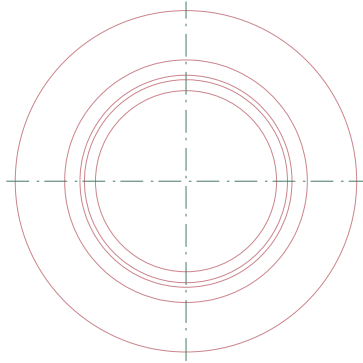


Grounding cable sealkit, designed to fit 1.5" steel conduit or 50mm semi-rigid pipe.
 1 hole doughnut fits 1 cable 9-20mm dia.
 3 hole doughnut fits 3 cables 5-8mm dia.

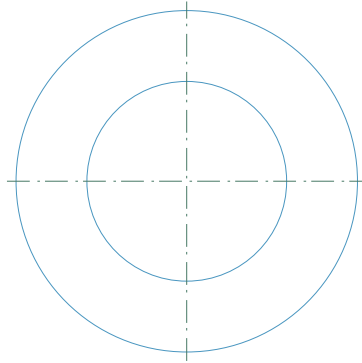
For reference purposes only. This drawing is not a specification. Order against product code only. To enable continuous improvement of our products, the designs and specifications are subject to change without notice.

FIBRELITE 
 PART OF OPW A DOVER COMPANY

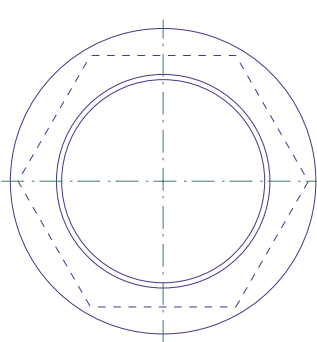
FRONT VIEW



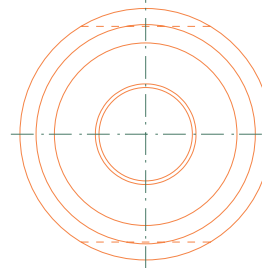
FLANGE



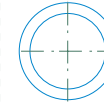
GASKET



LOCK NUT



INSERT



WASHER

STANDARD DOUGHNUT
1 No. Ø8
HOLE



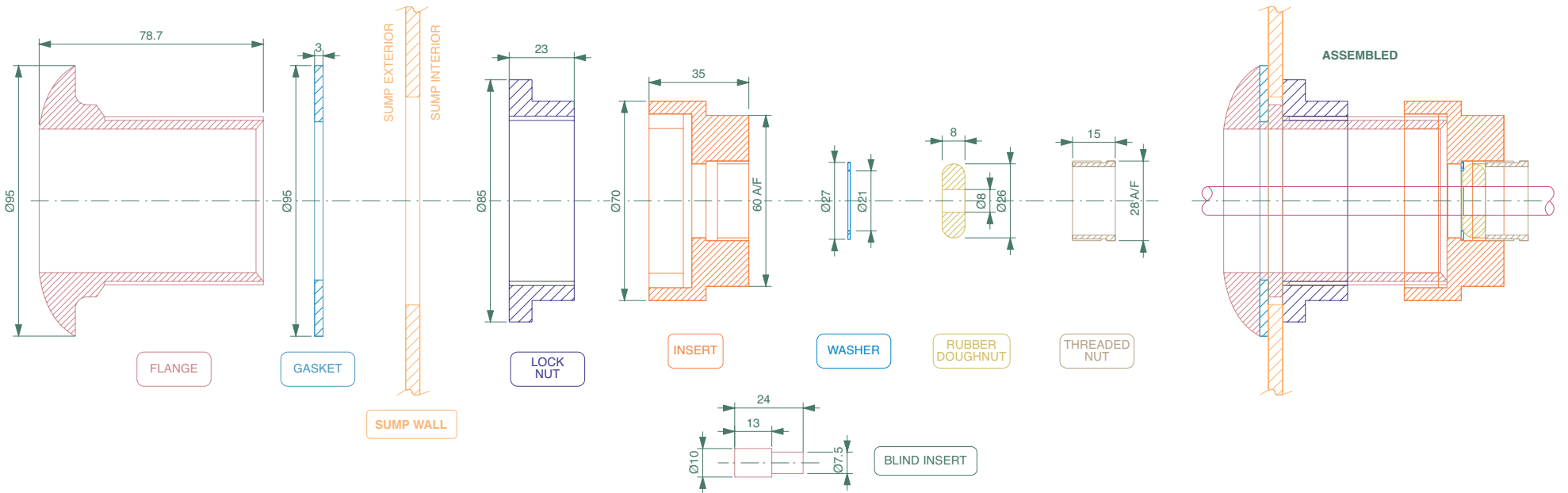
MULTIPLE DOUGHNUT
3 No. Ø8
HOLES
ON 14 PCD



RUBBER DOUGHNUT VARIANTS



THREADED NUT



Grounding cable sealkit, designed to fit 1.5" steel conduit or 50mm semi-rigid pipe.
1 hole doughnut fits 1 cable 9-20mm dia.
3 hole doughnut fits 3 cables 5-8mm dia.

For reference purposes only. This drawing is not a specification. Order against product code only. To enable continuous improvement of our products, the designs and specifications are subject to change without notice.

