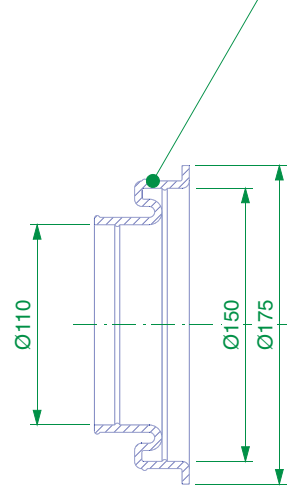
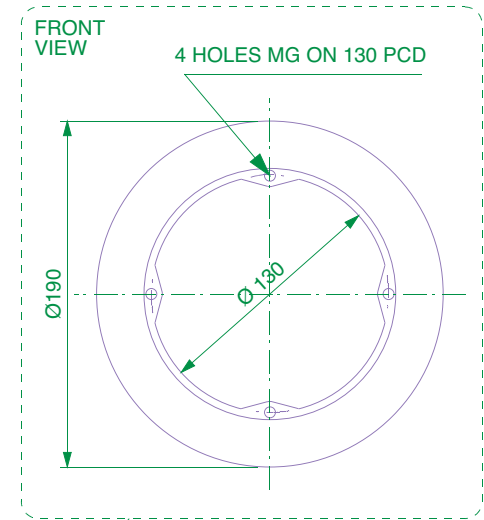
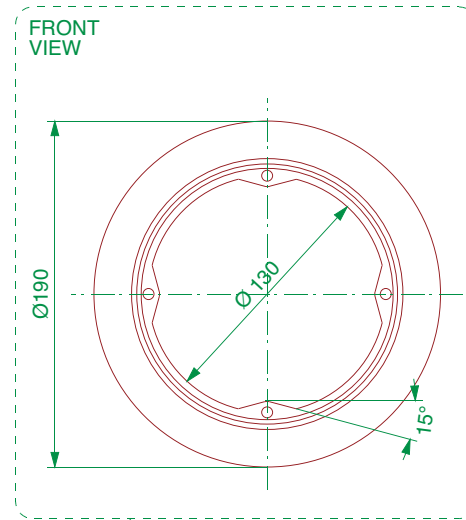
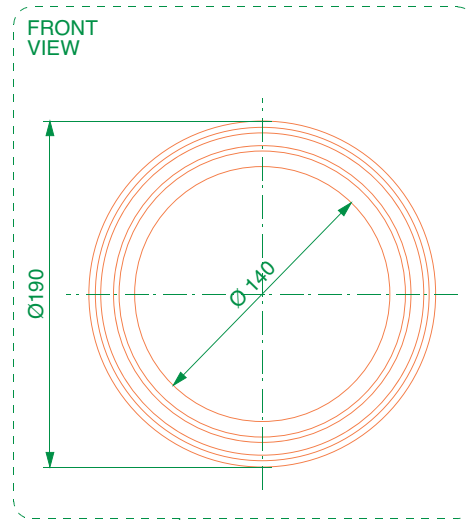
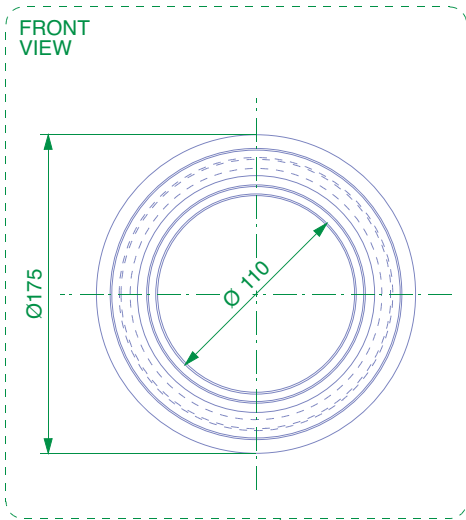


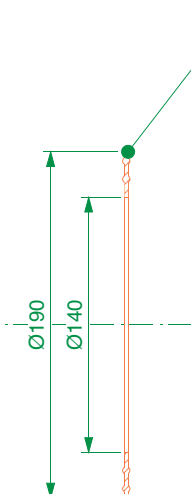
Pipe entry kits to fit 110mm single bore pipework.

For reference purposes only. This drawing is not a specification. Order against product code only. To enable continuous improvement of our products, the designs and specifications are subject to change without notice.

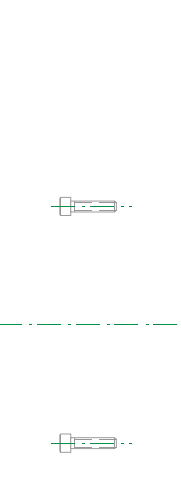
FIBRELITE 
PART OF OPW A DDOVER COMPANY



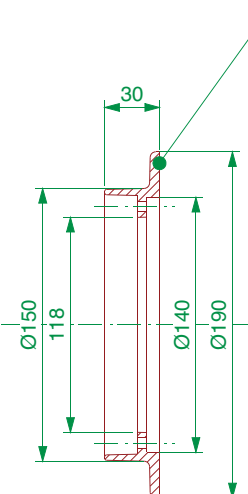
PIPE SLEEVE



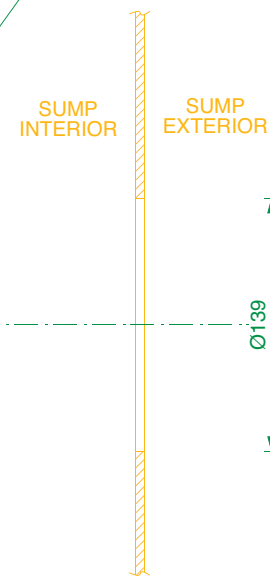
NITRILE FLANGE GASKET



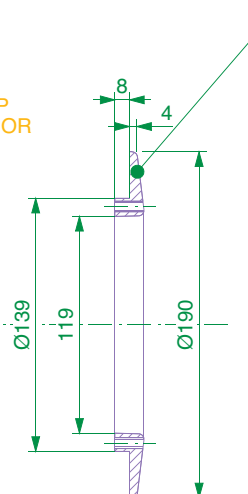
4 No M6 SET SCREWS



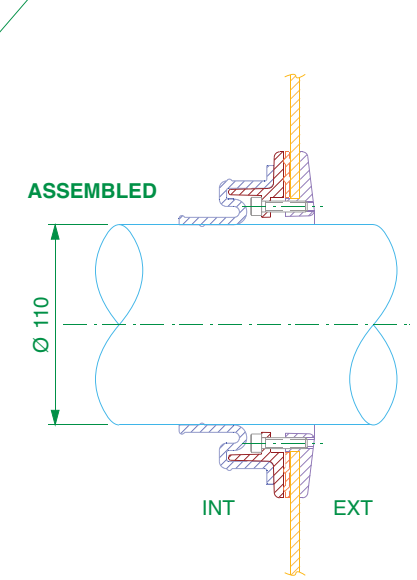
INSIDE FLANGE RING



SUMP WALL



OUTSIDE FLANGE RING



ASSEMBLED

INT EXT

Pipe entry kits to fit 110mm single bore pipework.

For reference purposes only. This drawing is not a specification. Order against product code only. To enable continuous improvement of our products, the designs and specifications are subject to change without notice.

