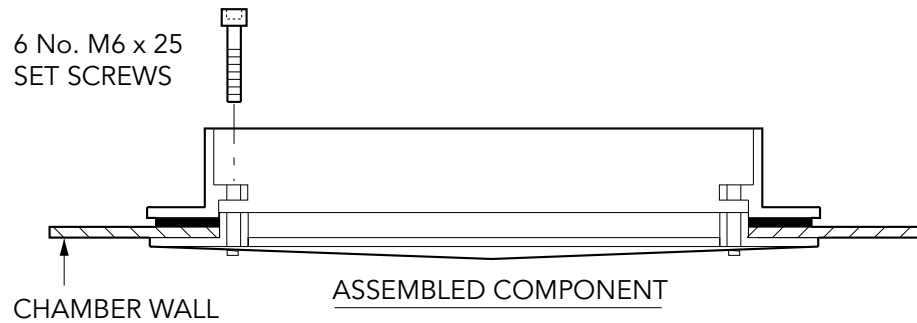


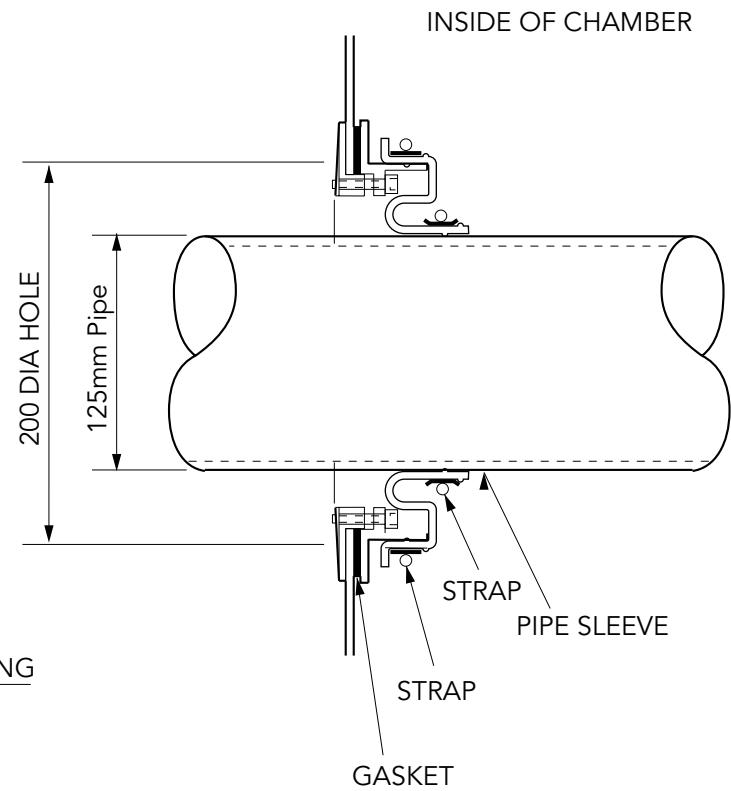
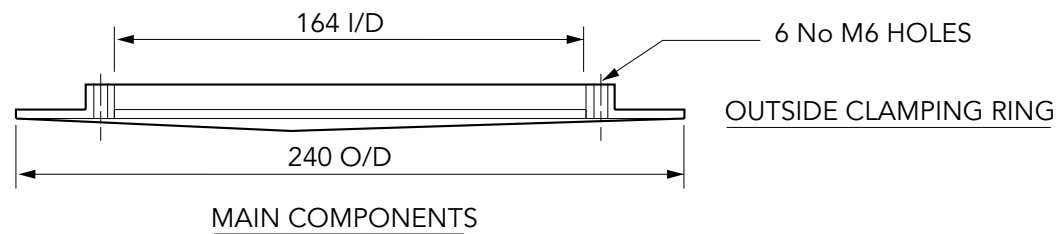
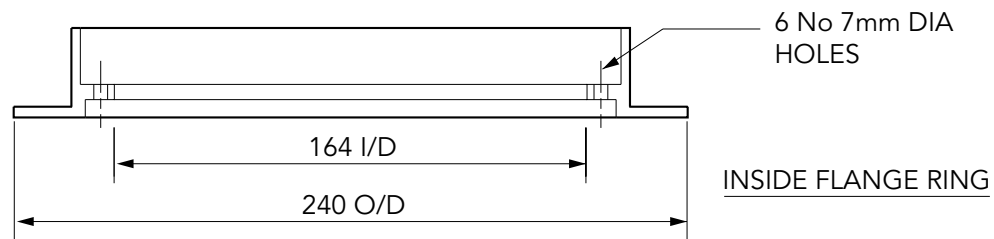
Large clearance pipe entry kits to fit 125mm single bore pipework

For reference purposes only. This drawing is not a specification. Order against product code only. To enable continuous improvement of our products, the designs and specifications are subject to change without notice.

FIBRELITE 
PART OF OPW A DOVER COMPANY



ASSEMBLY OF PIPEWORK
125mm O/D



Large clearance pipe entry kits to fit 125mm single bore pipework

For reference purposes only. This drawing is not a specification. Order against product code only. To enable continuous improvement of our products, the designs and specifications are subject to change without notice.

