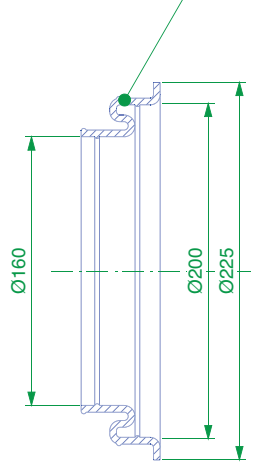
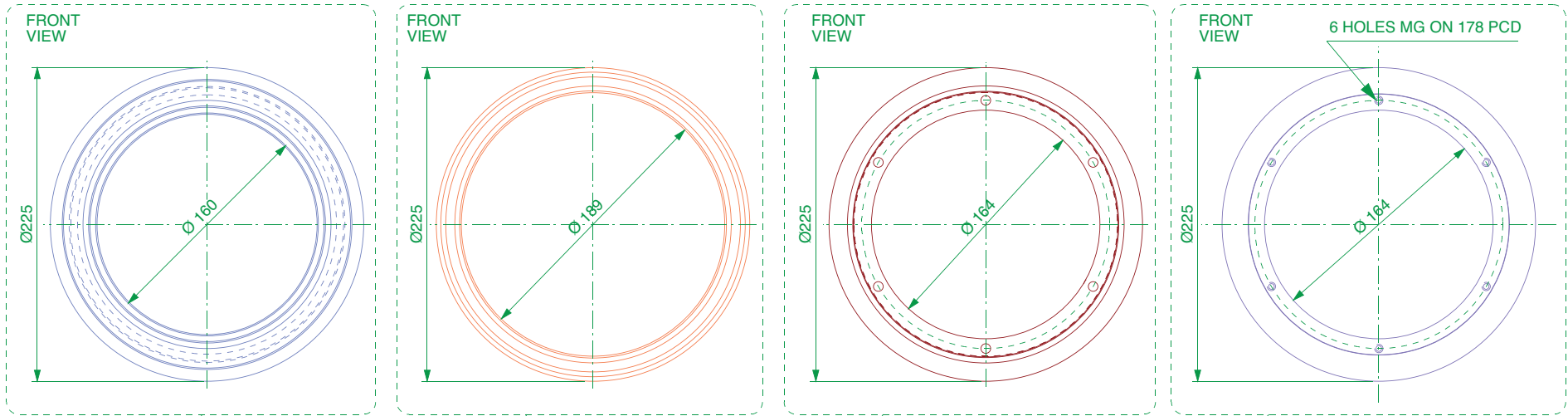


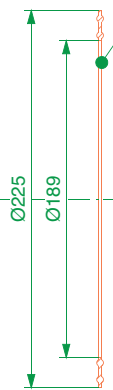
Pipe entry kits to fit 160mm bore pipework.

For reference purposes only. This drawing is not a specification. Order against product code only. To enable continuous improvement of our products, the designs and specifications are subject to change without notice.

**FIBRELITE**   
 PART OF OPW A DOVER COMPANY



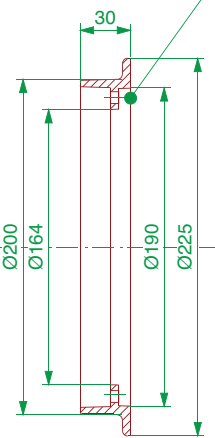
PIPE SLEEVE



NITRILE FLANGE GASKET



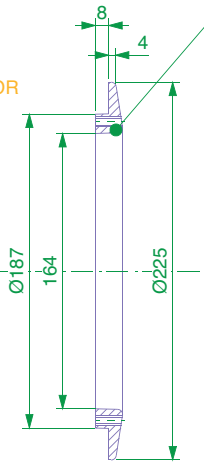
6 No M6 SET SCREWS



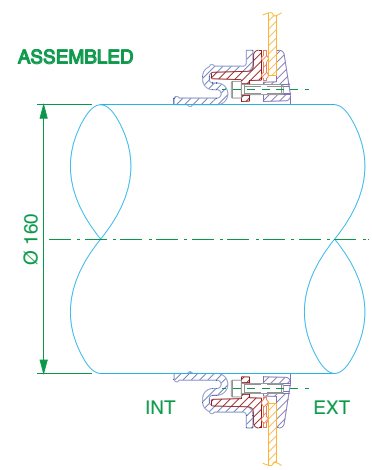
INSIDE FLANGE RING

SUMP INTERIOR  
SUMP EXTERIOR

SUMP WALL



OUTSIDE FLANGE RING



ASSEMBLED

Pipe entry kits to fit 160mm bore pipework.

For reference purposes only. This drawing is not a specification. Order against product code only. To enable continuous improvement of our products, the designs and specifications are subject to change without notice.

