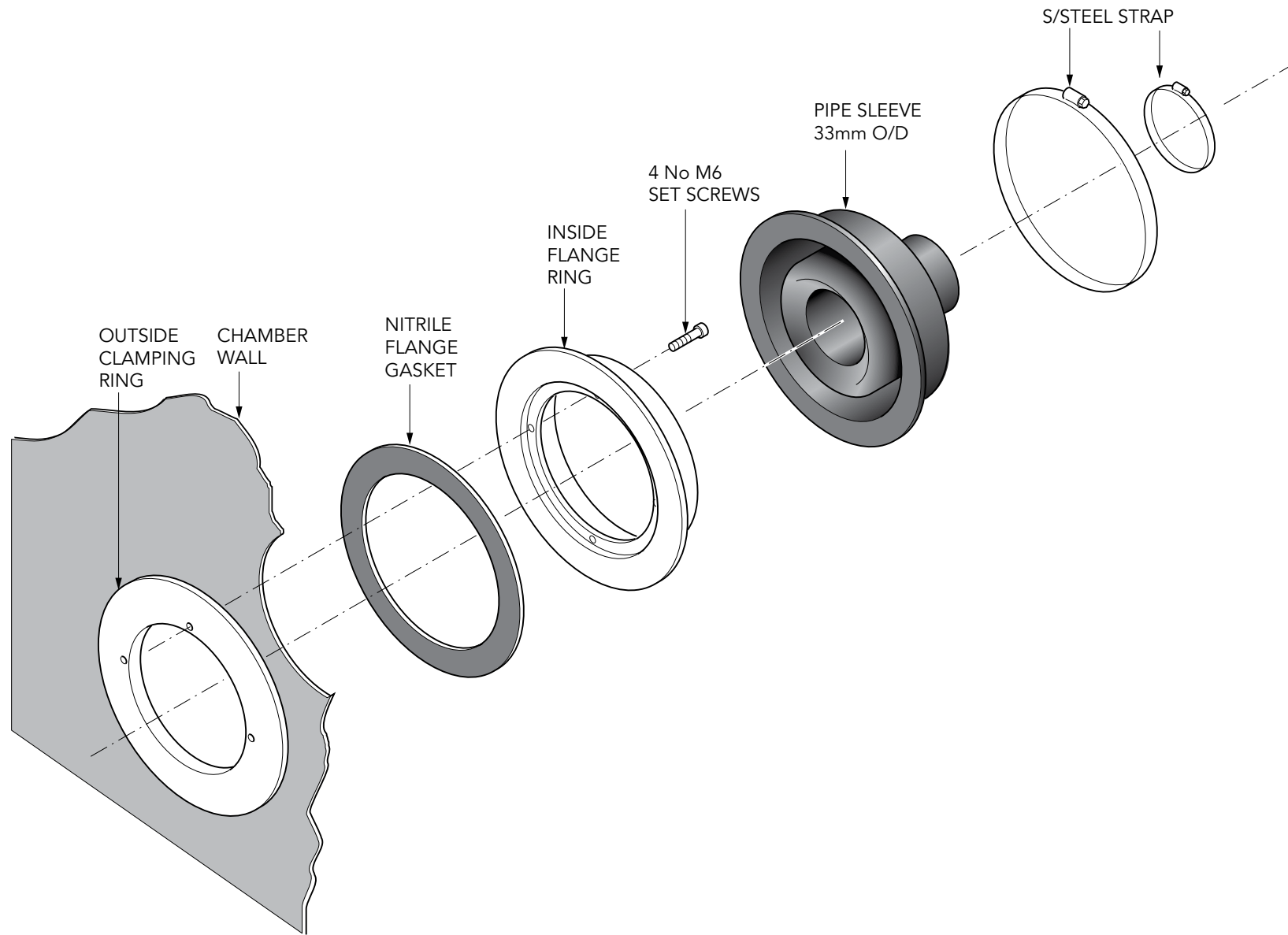


Pipe entry kits to fit 33mm steel conduit.

For reference purposes only. This drawing is not a specification. Order against product code only. To enable continuous improvement of our products, the designs and specifications are subject to change without notice.

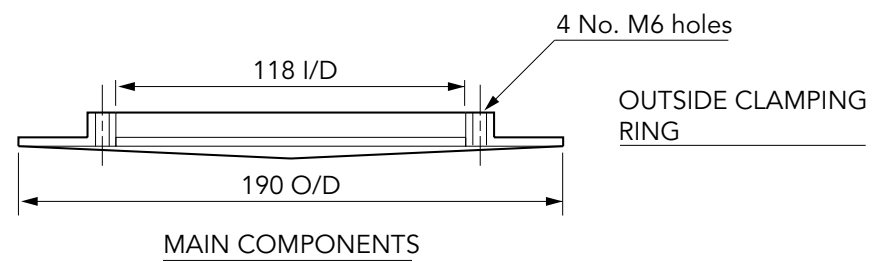
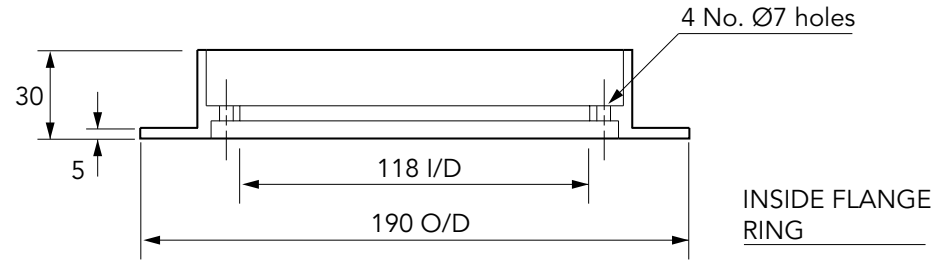
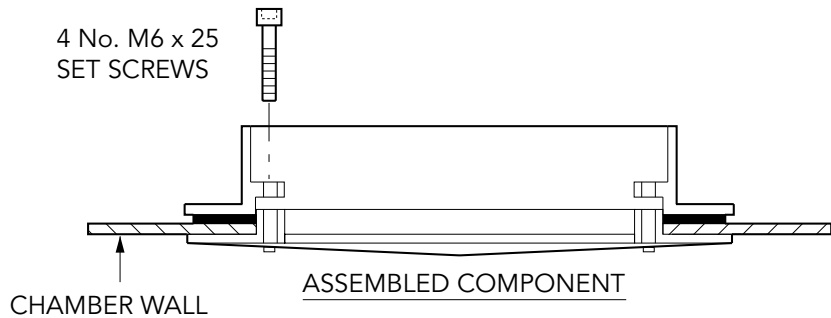
FIBRELITE 
PART OF OPW A  DOVER COMPANY



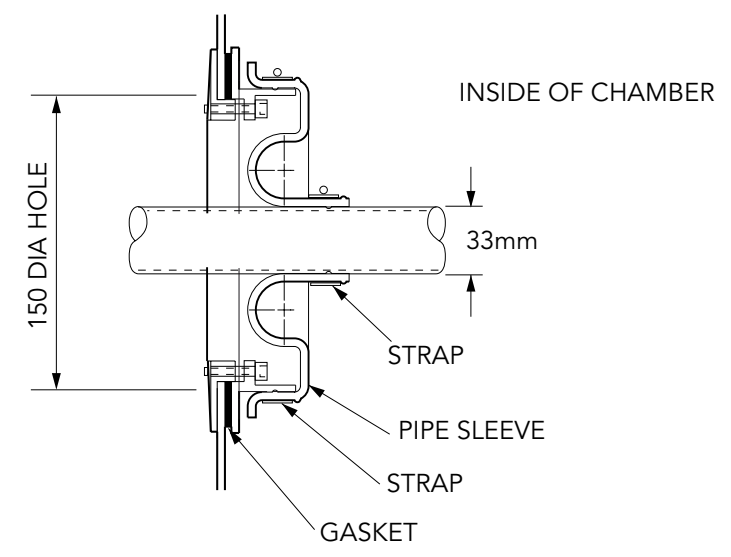
Pipe entry kits to fit 33mm steel conduit.

For reference purposes only. This drawing is not a specification. Order against product code only. To enable continuous improvement of our products, the designs and specifications are subject to change without notice.

FIBRELITE 
PART OF OPW A DOVER COMPANY



ASSEMBLY FOR PIPEWORK SIZE 33 mm O/D



Pipe entry kits to fit 33mm steel conduit.

For reference purposes only. This drawing is not a specification. Order against product code only. To enable continuous improvement of our products, the designs and specifications are subject to change without notice.

