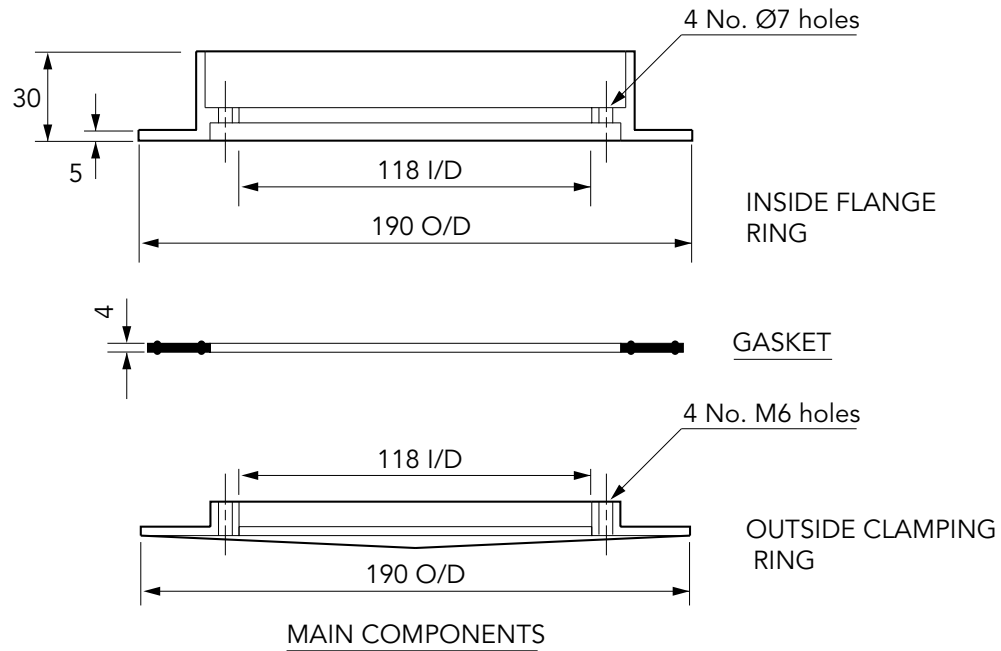
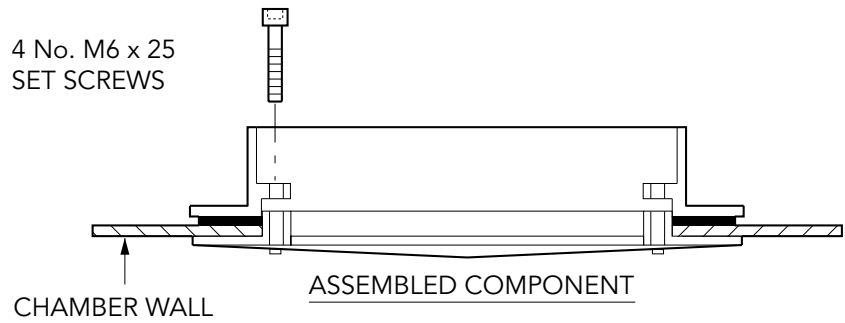


Pipe entry kit to fit 63mm single bore pipework

For reference purposes only. This drawing is not a specification. Order against product code only. To enable continuous improvement of our products, the designs and specifications are subject to change without notice.

FIBRELITE 
PART OF OPW A  COMPANY



ASSEMBLY FOR PIPEWORK
SIZES 63mm O/D

