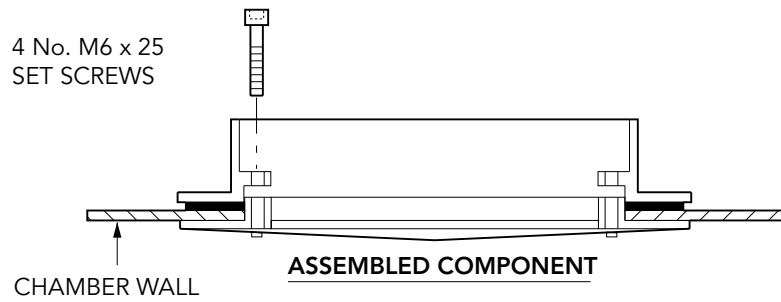


Pipe entry kit to fit 90mm single bore pipework

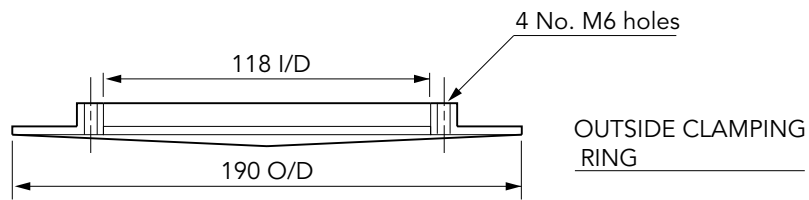
For reference purposes only. This drawing is not a specification. Order against product code only. To enable continuous improvement of our products, the designs and specifications are subject to change without notice.

FIBRELITE 
PART OF OPW A DOVER COMPANY



ASSEMBLY FOR PIPEWORK
SIZE 90 mm O/D

INSIDE OF CHAMBER



MAIN COMPONENTS

