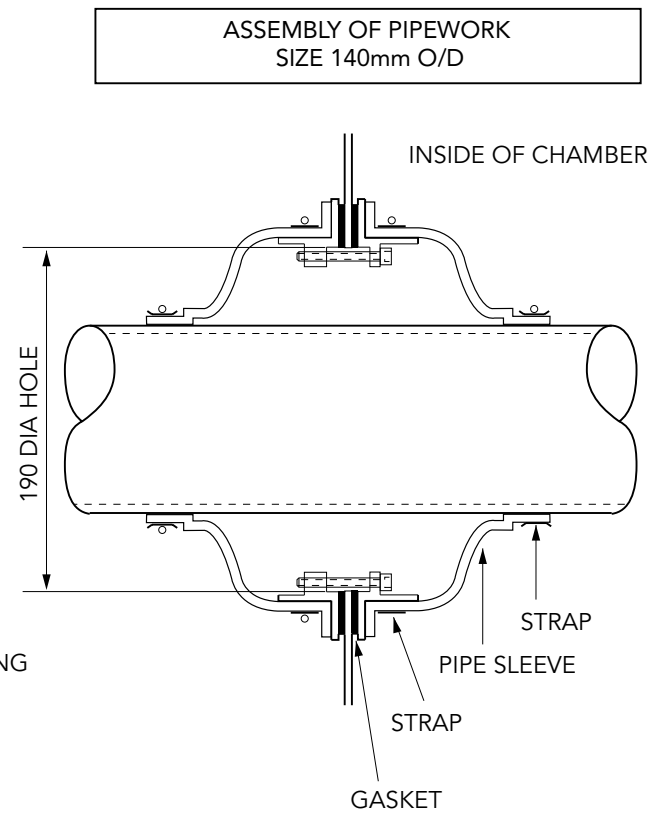
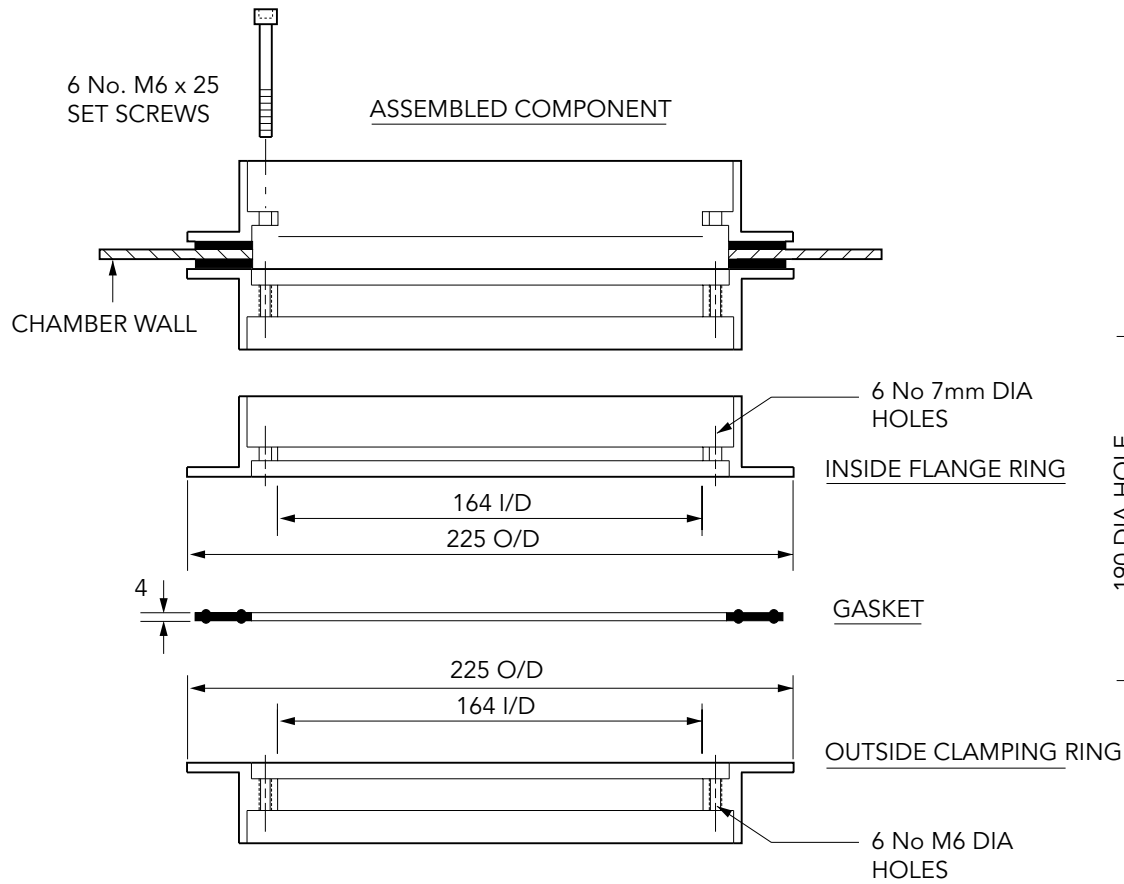


| PRODUCT CODE | CLAMPING RANGE O/D OF PIPE | |
|--------------|-------------------------------|------|
| | MIN. | MAX. |
| PSBD/140 | 126 | 140 |

Double sided pipe entry kit to fit 140mm dia. primary pipework.

For reference purposes only. This drawing is not a specification. Order against product code only. To enable continuous improvement of our products, the designs and specifications are subject to change without notice.





Double sided pipe entry kit to fit 140mm dia. primary pipework.

For reference purposes only. This drawing is not a specification. Order against product code only. To enable continuous improvement of our products, the designs and specifications are subject to change without notice.

FIBRELITE 
PART OF OPW A DOVER COMPANY