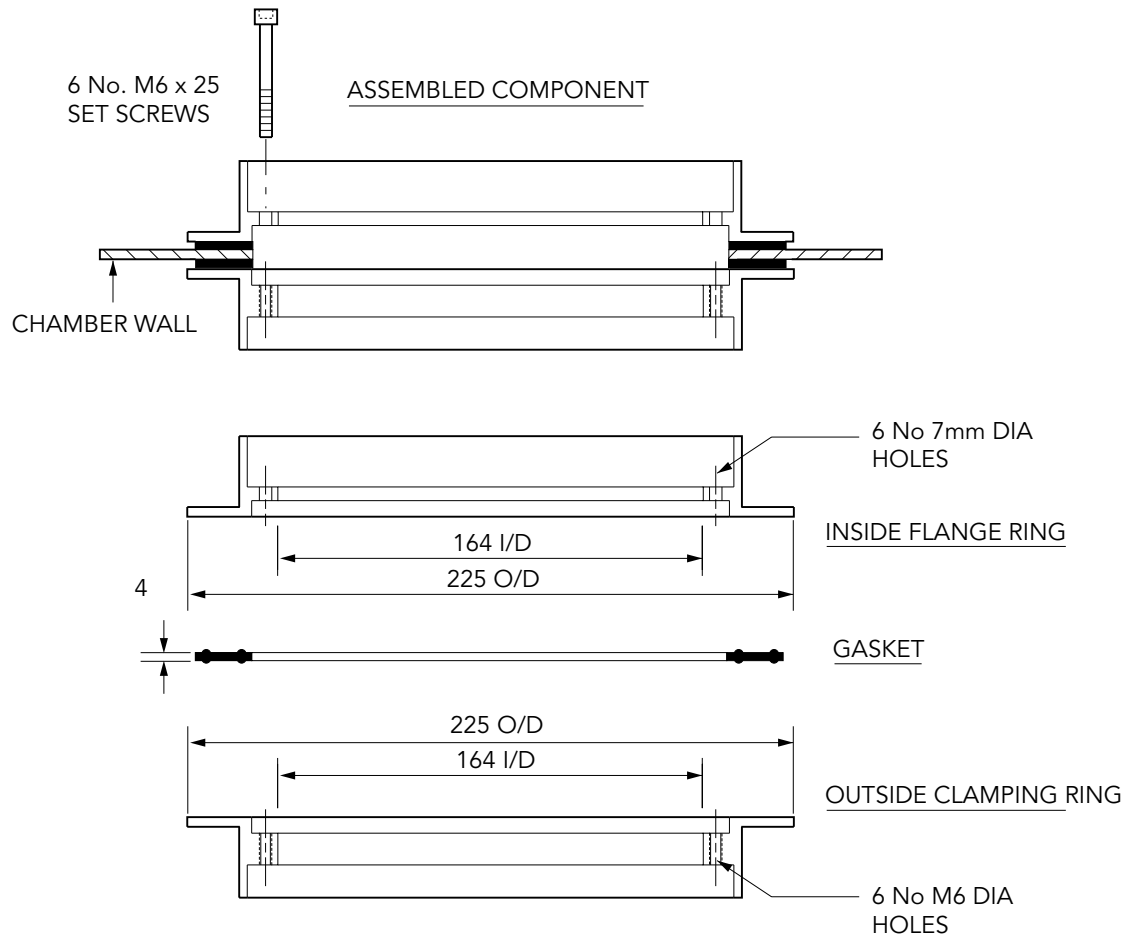


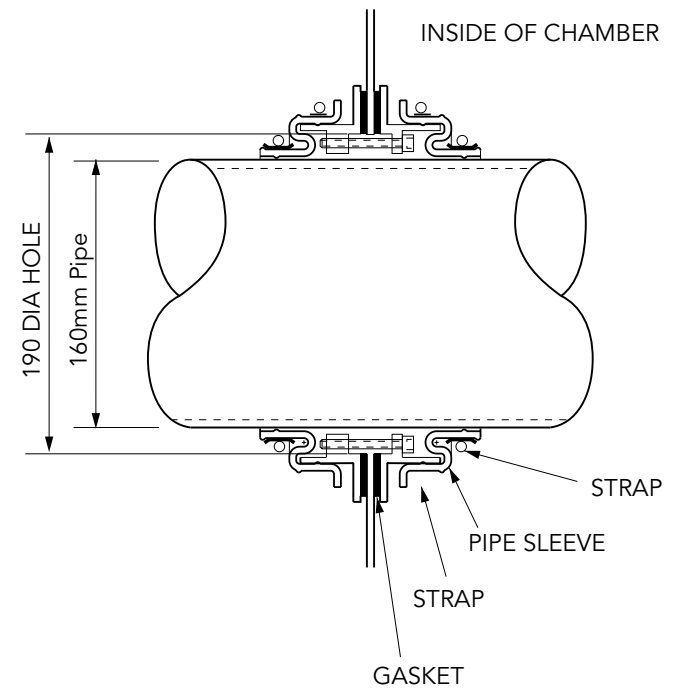
Double sided pipe entry kit to fit 160mm dia. primary pipework.

For reference purposes only. This drawing is not a specification. Order against product code only. To enable continuous improvement of our products, the designs and specifications are subject to change without notice.

FIBRELITE 
PART OF OPW A DOVER COMPANY



ASSEMBLY OF PIPEWORK
160mm O/D



Double sided pipe entry kit to fit 160mm dia. primary pipework.

For reference purposes only. This drawing is not a specification. Order against product code only. To enable continuous improvement of our products, the designs and specifications are subject to change without notice.

