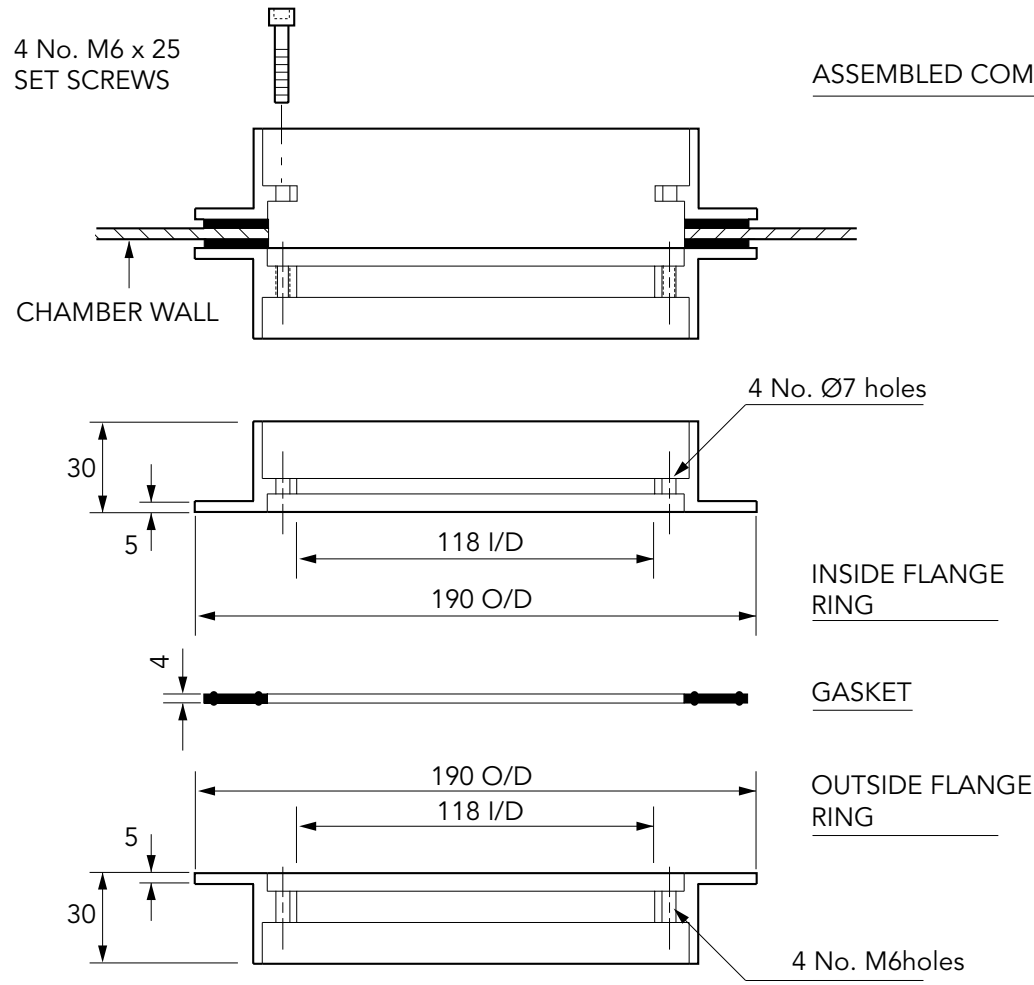


Double sided pipe entry kit to fit 63mm dia. primary pipework

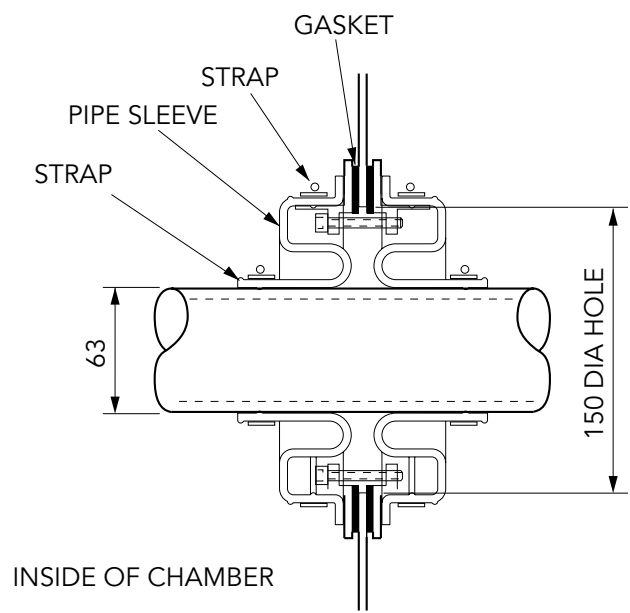
For reference purposes only. This drawing is not a specification. Order against product code only. To enable continuous improvement of our products, the designs and specifications are subject to change without notice.

FIBRELITE 
PART OF OPW A DOVER COMPANY



ASSEMBLED COMPONENT

ASSEMBLY FOR PIPEWORK
SIZES 63mmO/D



Double sided pipe entry kit to fit 63mm dia. primary pipework

For reference purposes only. This drawing is not a specification. Order against product code only. To enable continuous improvement of our products, the designs and specifications are subject to change without notice.

